

Food Chopper

User's manual

EN



SENCOR®

SHB 4310

Prior to using this appliance, please read the user's manual thoroughly, even in cases, when one has already familiarised themselves with previous use of similar types of products. Only use the appliance in the manner described in this user manual. Keep the user's manual in a safe place where it can be easily retrieved for future use.

We recommend saving the original shipping cardboard box, packaging material, receipt and warranty card for the duration of warranty. In the case of transportation, pack the appliance using the original packaging materials only.

IMPORTANT SAFETY INSTRUCTIONS	3
DESCRIPTION OF THE CHOPPER	4
OPERATING THE CHOPPER	5
INSTRUCTIONS FOR PROCESSING FOOD	6
MAINTENANCE AND CLEANING	6
TECHNICAL DETAILS	6
INSTRUCTIONS AND INFORMATION REGARDING THE DISPOSAL OF USED PACKAGING MATERIALS ..	7
DISPOSAL OF USED ELECTRICAL AND ELECTRONIC EQUIPMENT	7

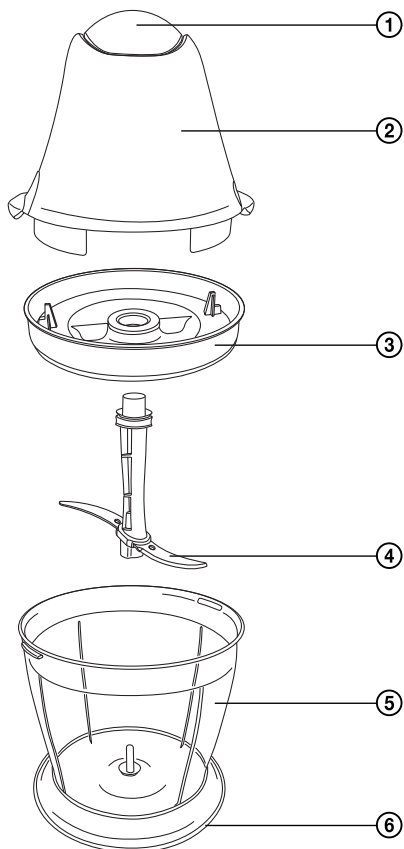
IMPORTANT SAFETY INSTRUCTIONS

READ CAREFULLY AND STORE THEM FOR FUTURE USE.

- This appliance must not be used by persons (including children) with physical or mental impairments or by inexperienced persons, unless properly trained or schooled in the safe use of the appliance, or unless they have been properly supervised by a qualified person who will be responsible for their safety.
- Children must be supervised to ensure that they do not play with the appliance.
- Before connecting this appliance to the socket outlet, make sure the voltage stated on the label of the product corresponds to the voltage in your wall socket.
- Never use accessories, which have not been supplied with this appliance or which have not been explicitly recommended by the manufacturer for this appliance.
- Do not place the appliance on unstable surfaces. Always place the appliance on an even, dry surface.
- Make sure that the electric cable and plug cannot come in contact with water or dampness.
- Never wash the motor unit under running water or submerge it in water or another liquid.
- The appliance is intended and designed for processing a standard amount of food in the household.
- Do not use the appliance for any other purposes than those intended.
- Do not use the appliance in industrial surroundings or outdoors!
- Do not use sprays in the vicinity of the appliance.
- Before turning on the appliance always check that it has been correctly assembled.
- Do not turn the appliance on when empty. The incorrect use of the appliance may negatively affect its lifetime.
- Always turn off the appliance and disconnect from the power socket, if you will not be using it and if you are leaving it without supervision, before assembly, disassembly or cleaning.
- If you are not using the appliance store it out of reach of children. If children got hold of the appliance without adult supervision, a child could be injured or the appliance could be damaged.
- Do not place the appliance on or near an electrical or gas stove.
- Do not place the appliance in the vicinity of an open flame or appliances that are sources of heat.
- Do not disconnect the appliance from the power point by pulling the electric cord - it may damage the power cord/power socket. Disconnect the cord from the power socket by gently pulling the plug of the power cord.
- Make sure the power cord does not hang over the edge of a table, or that it does not touch a hot surface.
- It is forbidden to use the appliance if it has a damaged power cord/plug. In case the power cord is damaged, have it replaced at a expert service centre.
- In no case should you attempt to repair the appliance yourself, do not make any alterations to it - danger of injury by electric shock! Have all repairs or adjustments of the appliance done at an authorised service centre. Tampering with the appliance during the warranty period may void the warranty policy.
- The appliance is designed to chop food such as meat, fruit, vegetables, hard or semi-hard cheese, herbs, etc.
- Do not use it to process foods that are too hard such as coffee beans, ice cubes, nutmeg, etc.
- The operating time of the appliance is 15 seconds, do not allow it to run for a longer time. After 15 seconds of operation we recommend that the appliance be left idle for 2 minutes.
- Caution! The blades are sharp. Handle the cutting blade with care.
- Before first use, thoroughly wash the chopping blade, bowl and bowl cover with hot water with the use of detergent. Then rinse these parts with drinking water and dry thoroughly with a fine wiping cloth.


DESCRIPTION OF THE CHOPPER

A



- ① Pulse switch
- ② Motor unit
- ③ Bowl cover
- ④ Stainless steel cutting blade
- ⑤ Bowl
- ⑥ Anti-skid base


OPERATING THE CHOPPER

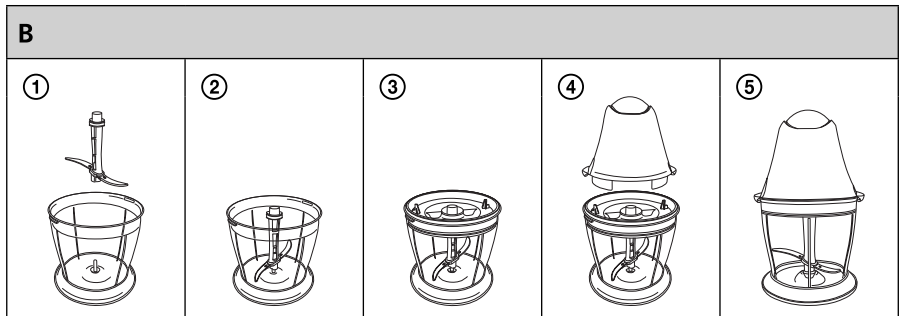
- 1) Before first use take the appliance and its accessories out of the packaging material. Note: The blades are sharp. Handle the blades with care and always hold them by the plastic part.
- 2) Place the blade on the centre knob on the bottom of the bowl (see picture B1, B2).
- 3) Place food into the bowl. Fill the bowl to a maximum of $\frac{3}{4}$ of its total volume. The recommended food processing times can be found in the table Food Processing Guide.
- 4) Into the bowl place the cover in the correct direction (see picture B3).
- 5) Place the motor unit on to the bowl (see picture B4). With one hand hold the bowl and with the other hand turn the motor unit left in the direction of the symbol . The motor unit should now be firmly connected to the bowl (see picture B5). Note: If the chopper is not properly assembled, it cannot be started.
- 6) Connect the chopper to a power socket. Press the pulse switch to put the chopper into operation. After several seconds release the pulse switch. Pulse switching will limit excessive pulverisation of the food.



Tip

If food is sticking to the walls of the bowl, stop your activity and disconnect the chopper from the power socket. Remove the motor unit and the bowl cover. Use a plastic spatula to release food from the wall of the bowl. Assemble the chopper, connect it to a power socket and continue processing the food.

- 7) After use, disconnect the chopper from the power socket. Remove the motor unit from the bowl by turning it right in the direction of the symbol  and remove the cover of the bowl.
- 8) Carefully remove the cutting blade and the processed food as required. Note: The anti-skid base can also serve as a bowl lid, if you wish to store the processed food in the refrigerator.



INSTRUCTIONS FOR PROCESSING FOOD

Food type	Maximum dose	Size	Processing time
Raw meat	200 g	cubes 2x2 cm	15 s
Hard or semi-hard cheeses	100 g	cubes 2x2 cm	10 s
Biscuits	50 g		15 s
Onion	200 g	cut into quarters	10 s
Garlic	100 g		10 s
Herbs	50 g		6 s
Nuts without shells	50 g		15 s

The above times are only a reference. The actual processing time depends on the desired coarseness of the chopped food.

MAINTENANCE AND CLEANING

- Before cleaning the appliance always disconnect it from the power socket and disassemble into its individual parts.
- Wipe the motor unit with a soft, slightly damp cloth. Do not submerge in water or in any other liquid.
- Other parts such as the bowl, blade, bowl cover can be cleaned in a dishwasher. Some foods may cause discolouration of the plastics. In such a case coat the plastic parts with vegetable oil before washing and placing in the dishwasher.
- Do not use any abrasive cleaning products, petrol or solvents to clean the appliance and its accessories.

TECHNICAL SPECIFICATIONS

Nominal voltage.....	220–240 V
Nominal frequency.....	50/60 Hz
Rated power input.....	300 W
Safety class (for electric shock protection)	II
Noise level	80 dB(A)
Container volume.....	650 ml

The declared noise emission level for this appliance is 80 dB(A), which represents level A of the acoustic power relative to the reference acoustic power of 1 pW.

Glossary of technical terms

Safety class for electric shock protection:

Class II - Electric shock protection is provided by double or heavy-duty insulation.

We reserve the right to change text and technical specifications.

INSTRUCTIONS AND INFORMATION REGARDING THE DISPOSAL OF USED PACKAGING MATERIALS

Dispose of packaging material at a public waste disposal site.

DISPOSAL OF USED ELECTRICAL AND ELECTRONIC APPLIANCES



The meaning of the symbol on the product, its accessory or packaging indicates that this product shall not be treated as household waste. Please, dispose of this product at your applicable collection point for the recycling of electrical & electronic equipment waste. Alternatively in some states of the European Union or other European states you may return your products to your local retailer when buying an equivalent new product. The correct disposal of this product will help save valuable natural resources and help in preventing the potential negative impact on the environment and human health, which could be caused as a result of improper liquidation of waste. Please ask your local authorities or the nearest waste collection centre for further details. The improper disposal of this type of waste may fall subject to national regulations for fines.

For business entities in the European Union

If you wish to dispose of an electrical or electronic device, request the necessary information from your seller or supplier.

Disposal in other countries outside the European Union

If you wish to dispose of this product, request the necessary information about the correct disposal method from local government departments or from your seller.



This product meets all the basic EU regulation requirements that relate to it.

