



FCC Information and Copyright

This equipment has been tested and found to comply with the limits of a Class B digital device, pursuant to Part 15 of the FCC Rules. These limits are designed to provide reasonable protection against harmful interference in a residential installation. This equipment generates, uses, and can radiate radio frequency energy and, if not installed and used in accordance with the instructions, may cause harmful interference to radio communications. There is no guarantee that interference will not occur in a particular installation.

The vendor makes no representations or warranties with respect to the contents here and specially disclaims any implied warranties of merchantability or fitness for any purpose. Further the vendor reserves the right to revise this publication and to make changes to the contents here without obligation to notify any party beforehand.

Duplication of this publication, in part or in whole, is not allowed without first obtaining the vendor's approval in writing.

The content of this user's manual is subject to be changed without notice and we will not be responsible for any mistakes found in this user's manual. All the brand and product names are trademarks of their respective companies.



Dichiarazione di conformità sintetica
Ai sensi dell'art. 2 comma 3 del D.M. 275 del
30/10/2002
Si dichiara che questo prodotto è conforme
alle normative vigenti e soddisfa i requisiti
essenziali richiesti dalle direttive
2004/108/CE, 2006/95/CE e 1999/05/CE
quando ad esso applicabili

Short Declaration of conformity
We declare this product is complying with the
laws in force and meeting all the essential
requirements as specified by the directives
2004/108/CE, 2006/95/CE and 1999/05/CE
whenever these laws may be applied

Table Of Contents

FCC Information and Copyright	1
Chapter 1: Introduction.....	3
1.1 Before You Start	3
1.2 Package Checklist.....	3
1.3 Specifications.....	4
1.4 Rear Panel Connectors.....	5
1.5 Motherboard Layout	6
Chapter 2: Hardware installation.....	7
2.1 Install Central Processing Unit (CPU)	7
2.2 Install a Heatsink.....	9
2.3 Connect Cooling Fans	10
2.4 Install System Memory	10
2.5 Expansion Slots.....	12
2.6 Jumper & Switch Setting.....	13
2.7 Headers & Connectors.....	14
Chapter 3: UEFI BIOS & Software.....	17
3.1 UEFI BIOS Setup.....	17
3.2 BIOS Update.....	17
3.3 Software.....	21
Chapter 4: Useful help.....	22
4.1 Driver Installation	22
4.2 AMI BIOS Beep Code.....	23
4.3 AMI BIOS post code	23
4.4 Troubleshooting.....	25
APPENDIX I: Specifications in Other Languages	26
Arabic.....	26
German.....	27
Spanish	28
Thai	29
Japan.....	30

Chapter 1: Introduction

1.1 Before You Start

Thank you for choosing our product. Before you start installing the motherboard, please make sure you follow the instructions below:

- Prepare a dry and stable working environment with sufficient lighting.
- Always disconnect the computer from power outlet before operation.
- Before you take the motherboard out from anti-static bag, ground yourself properly by touching any safely grounded appliance, or use grounded wrist strap to remove the static charge.
- Avoid touching the components on motherboard or the rear side of the board unless necessary. Hold the board on the edge, do not try to bend or flex the board.
- Do not leave any unfastened small parts inside the case after installation. Loose parts will cause short circuits which may damage the equipment.
- Keep the computer from dangerous area, such as heat source, humid air and water.
- The operating temperatures of the computer should be 0 to 45 degrees Celsius.
- To avoid injury, be careful of:
 - Sharp pins on headers and connectors
 - Rough edges and sharp corners on the chassis
 - Damage to wires that could cause a short circuit

1.2 Package Checklist

- Serial ATA Cable x2
- Rear I/O Panel for ATX Case x1
- Quick Installation Guide x1
- Fully Setup Driver CD x1

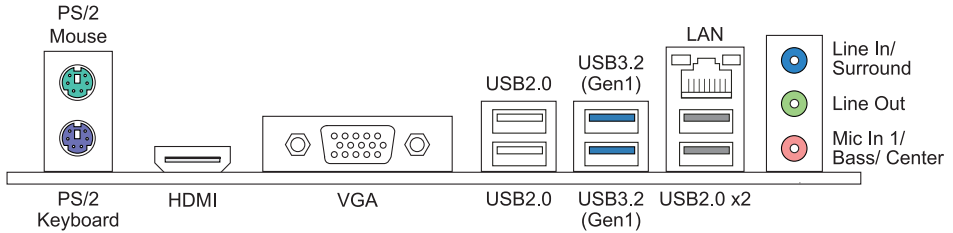
Note

- » *The package contents may be different due to the sales region or models in which it was sold. For more information about the standard package in your region, please contact your dealer or sales representative.*
-

1.3 Specifications

Specifications	
CPU Support	Socket 1151 for 9th / 8th Gen Intel® Core, Pentium and Celeron processors * 9th / 8th Generation Intel® Core™ Processor Family only support 300-Series. * Please refer to www.biostar.com.tw for CPU support list.
Chipset	INTEL® H310
Memory	Supports Dual Channel DDR4 1866/ 2133/ 2400/ 2666 2x DDR4 DIMM Memory Slot, Max. Supports up to 32 GB Memory Each DIMM supports non-ECC 4/8/16GB DDR4 module * Please refer to www.biostar.com.tw for Memory support list.
Storage	4x SATA III Connector
LAN	RTL8111H 10/ 100/ 1000 Mb/s auto negotiation, Half / Full duplex capability
Audio Codec	ALC887 7.1 Channels, High Definition Audio
USB	4x USB 3.2(Gen1) port (2 on rear I/Os and 2 via internal header) 6x USB 2.0 port (4 on rear I/Os and 2 via internal header)
Expansion Slots	2x PCIe 2.0 x1 Slot 1x PCIe 3.0 x16 Slot
Rear I/Os	1x PS/2 Mouse/ Keyboard Port 1x HDMI Port 1x VGA Port 1x LAN Port 4x USB 2.0 Port 2x USB 3.2(Gen1) Port 3x Audio Jack
Internal I/Os	4x SATA III Connector 1x USB 2.0 Header (each header supports 2 USB 2.0 ports) 1x USB 3.2(Gen1) Header (each header supports 2 USB 3.2(Gen1) ports) 1x 8-Pin Power Connector 1x 24-Pin Power Connector 1x CPU Fan Connector 1x System Fan Connector 1x Front Panel Header 1x Front Audio Header 1x Clear CMOS Header 1x COM Port Header
Form Factor	µATX Form Factor, 226mm x 171mm
OS Support	Windows 7/ 10(64bit) * Biostar reserves the right to add or remove support for any OS with or without notice.

1.4 Rear Panel Connectors



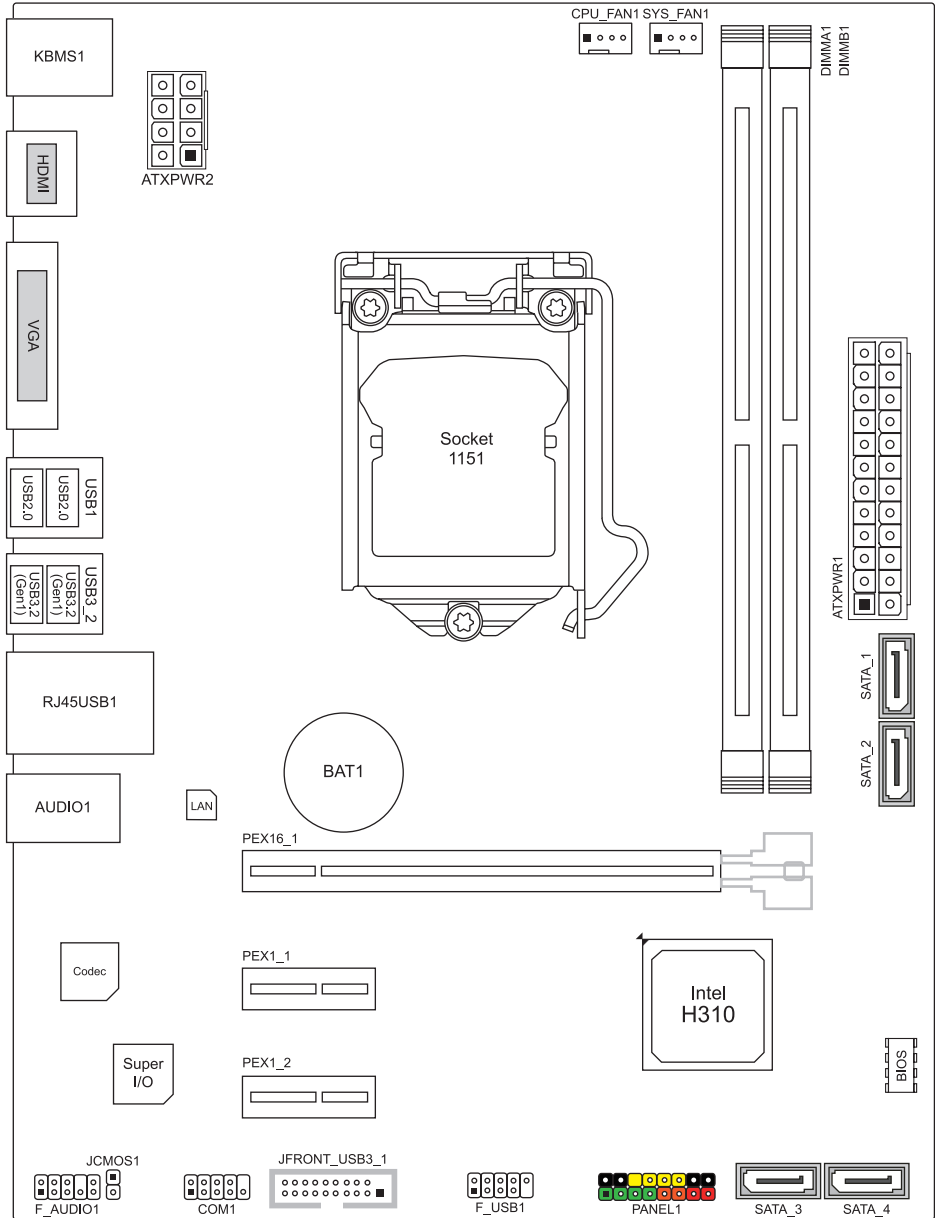
Note

- » HDMI/ VGA ports only work with an Intel® integrated Graphics Processor.
- » Maximum resolution
HDMI: 4096 x 2160 @24Hz, compliant with HDMI 1.4
VGA: 1920 x 1200 @60Hz
- » When using the front HD audio jack and plug in the headset / microphone, the rear sound will be automatically Disabled.
- » The mainboard supports two onboard display outputs at same time and the display output configuration can be selected in Intel graphics driver utility.
- » To configure 7.1-channel audio, you have to use a chassis with HD front panel audio module and enable the multi-channel audio feature through O.S. Audio Utility.

The 2/ 4/ 5.1/ 7.1-channel configuration

Audio Port	2-channel	4-channel	5.1 channel	7.1 channel
Blue (Rear Panel)	Line In	Line In	Line In	Side Speaker Out
Green (Rear Panel)	Line Out	Front Speaker Out	Front Speaker Out	Front Speaker Out
Pink (Rear Panel)	Mic In	Mic In	Center/Subwoofer Out	Center/Subwoofer Out
Green (Front Panel)	Headphone	Rear Speaker Out	Rear Speaker Out	Rear Speaker Out

1.5 Motherboard Layout



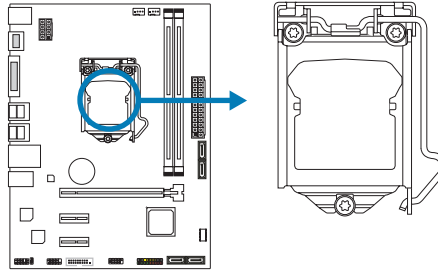
Note

» ■ represents the 1st pin.

Chapter 2: Hardware installation

2.1 Install Central Processing Unit (CPU)

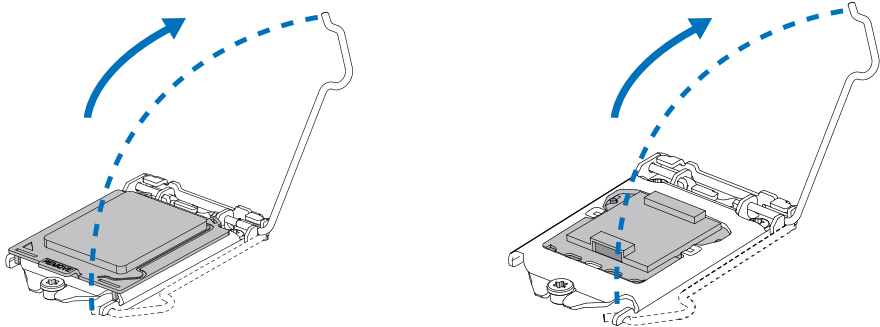
Step 1: Locate the CPU socket on the motherboard



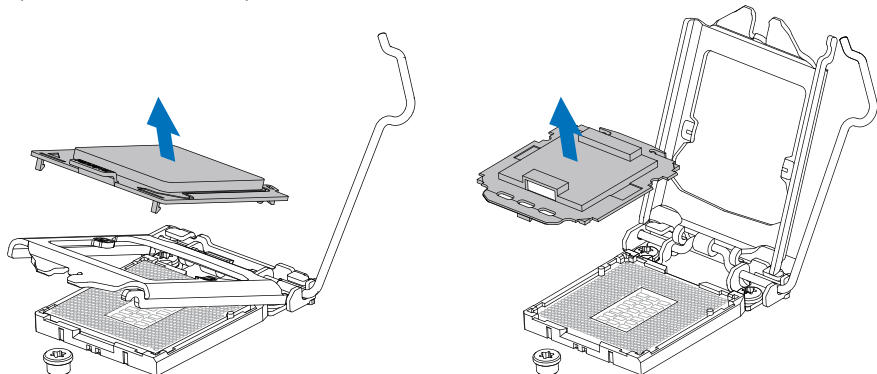
► **Note**

- » Remove pin cap before installation, and make good preservation for future use. When the CPU is removed, cover the pin cap on the empty socket to ensure pin legs won't be damaged.
- » The motherboard might equip with two different types of pin cap. Please refer below instruction to remove the pin cap.

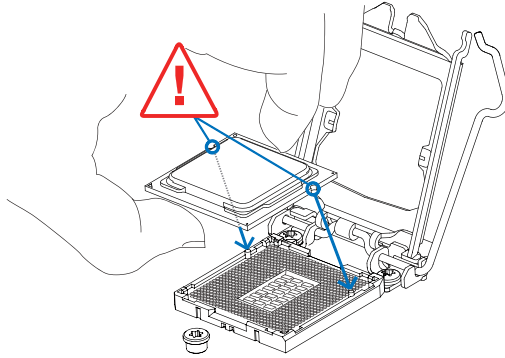
Step 2: Pull the socket locking lever out from the socket and then raise the lever up.



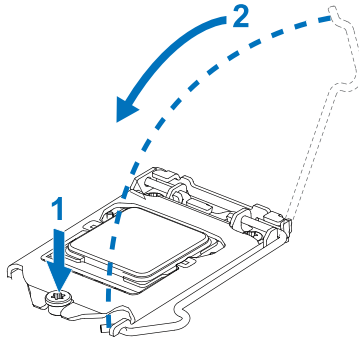
Step 3: Remove the Pin Cap.



Step 4: Hold processor with your thumb and index fingers, oriented as shown. Align the notches with the socket. Lower the processor straight down without tilting or sliding the processor in the socket.



Step 5: Hold the CPU down firmly, and then lower the lever to locked position to complete the installation.

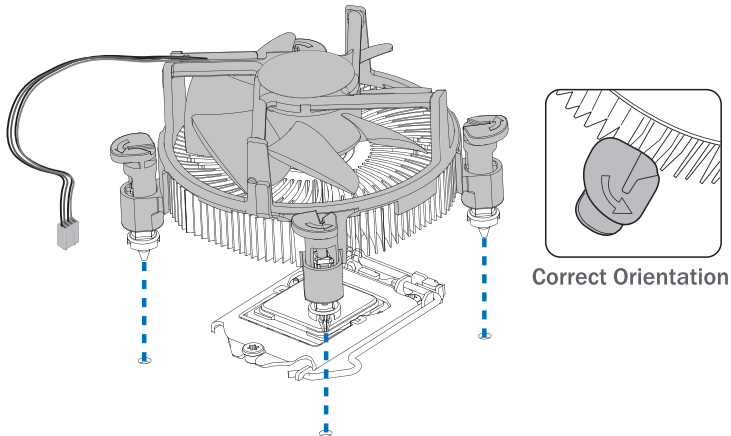


Note

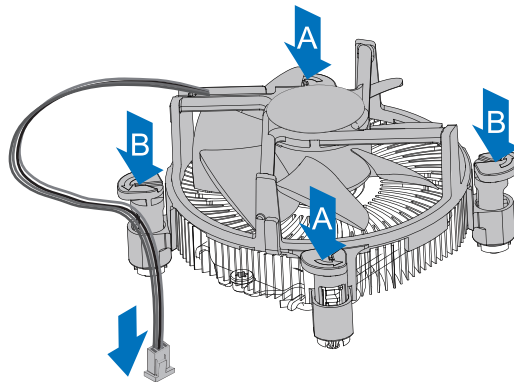
- » Ensure that you install the correct CPU designed for LGA1151 socket.
 - » The CPU fits only in one correct orientation. Do not force the CPU into the socket to prevent damaging the CPU.
-

2.2 Install a Heatsink

Step 1: Place the CPU fan assembly on top of the installed CPU and make sure that the four fasteners match the motherboard holes. Orient the assembly and make the fan cable is closest to the CPU fan connector.



Step 2: Press down two fasteners at one time in a diagonal sequence to secure the CPU fan assembly in place. As each fastener locks into position a click should be heard.



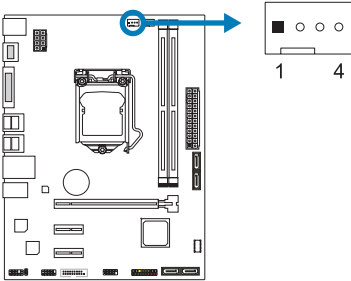
Note

- » Apply the thermal interface material on the CPU before heatsink installation, if necessary.
- » Do not forget to connect the CPU fan connector.
- » For proper installation, please kindly refer to the installation manual of your CPU heatsink.

2.3 Connect Cooling Fans

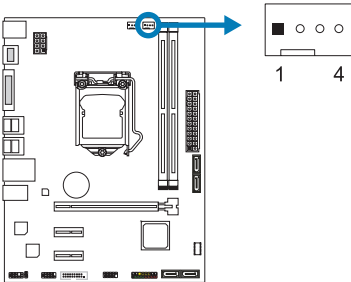
These fan headers support cooling-fans built in the computer. The fan cable and connector may be different according to the fan manufacturer.

CPU_FAN1: CPU Fan Header



Pin	Assignment
1	Ground
2	+12V
3	FAN RPM rate sense
4	AI Fan Control (By Fan)

SYS_FAN1: System Fan Header



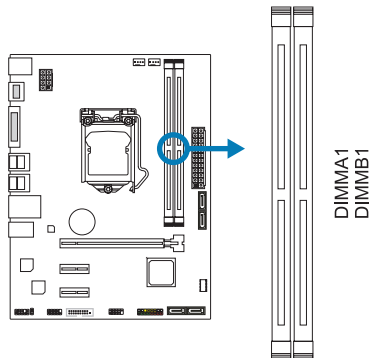
Pin	Assignment
1	Ground
2	+12V
3	FAN RPM rate sense
4	AI Fan Control (By Fan)

Note

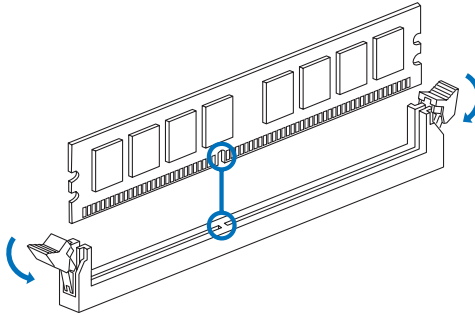
» CPU_FAN1, SYS_FAN1 support 4-pin and 3-pin head connectors. When connecting with wires onto connectors, please note that the red wire is the positive and should be connected to pin#2, and the black wire is Ground and should be connected to pin#1(GND).

2.4 Install System Memory

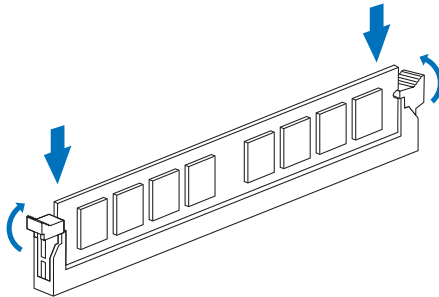
DDR4 Modules



Step 1: Unlock a DIMM slot by pressing the retaining clips outward. Align a DIMM on the slot such that the notch on the DIMM matches the break on the slot.



Step 2: Insert the DIMM vertically and firmly into the slot until the retaining clips snap back in place and the DIMM is properly seated.



► Note

» If the DIMM does not go in smoothly, do not force it. Pull it all the way out and try again.

Memory Capacity

DIMM Socket Location	DDR4 Module	Total Memory Size
DIMMA1	4GB/8GB/16GB	Max is 32GB.
DIMMB1	4GB/8GB/16GB	

Dual Channel Memory Installation

Please refer to the following requirements to activate Dual Channel function:
Install memory module of the same density in pairs, shown in the table.

Dual Channel Status	DIMMA1	DIMMB1
Disabled	O	X
Disabled	X	O
Enabled	O	O

(O means memory installed, X means memory not installed.)

► Note

» When installing more than one memory module, we recommend to use the same brand and capacity memory on this motherboard.

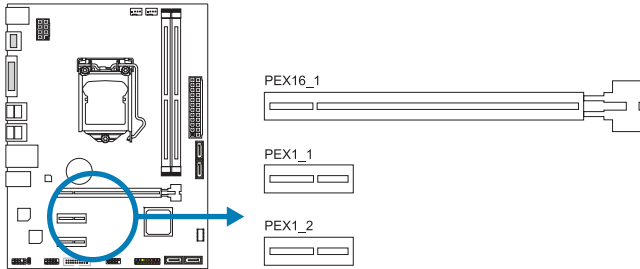
2.5 Expansion Slots

PEX16_1: PCI-Express Gen3 x16 Slot

- PCI-Express 3.0 compliant.
- Maximum theoretical realized bandwidth of 16GB/s simultaneously per direction, for an aggregate of 32GB/s totally.

PEX1_1/ PEX1_2: PCI-Express Gen2 x1 Slots

- PCI-Express 2.0 compliant.
- Data transfer bandwidth up to 0.5GB/s per direction; 1GB/s in total



Install an Expansion Card

You can install your expansion card by following steps:

- Read the related expansion card's instruction document before install the expansion card into the computer.
- Remove your computer's chassis cover, screws and slot bracket from the computer.
- Place a card in the expansion slot and press down on the card until it is completely seated in the slot.
- Secure the card's metal bracket to the chassis back panel with a screw.
- Replace your computer's chassis cover.
- Power on the computer, if necessary, change BIOS settings for the expansion card.
- Install related driver for the expansion card.

2.6 Jumper & Switch Setting

The illustration shows how to set up jumpers. When the jumper cap is placed on pins, the jumper is “close”, if not, that means the jumper is “open”.

Pin opened



Pin closed

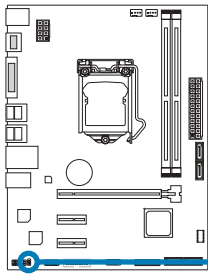


Pin 1-2 closed



JCMOS1: Clear CMOS Jumper

The jumper allows users to restore the BIOS safe setting and the CMOS data. Please carefully follow the procedures to avoid damaging the motherboard.



Pin 1-2 Open: Normal Operation (Default)



Pin 1-2 Close: Clear CMOS data

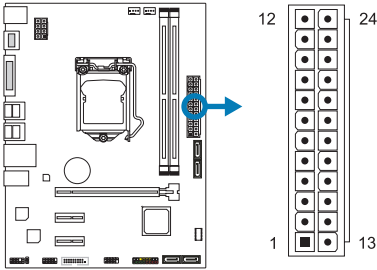
Clear CMOS Procedures:

1. Remove AC power line.
2. Set the jumper to “Pin 1-2 close”, you can use a metal object like a screwdriver to touch the two pins.
3. Wait for five seconds.
4. After clearing the CMOS values, be sure the jumper is “Pin 1-2 open”.
5. Power on the AC.
6. Load Optimal Defaults and save settings in CMOS.

2.7 Headers & Connectors

ATXPWR1: ATX Power Source Connector

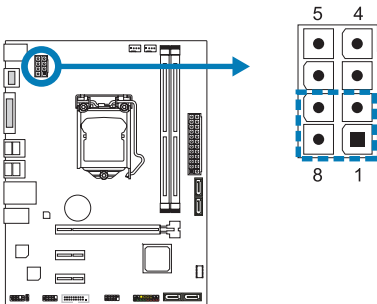
For better compatibility, we recommend to use a standard ATX 24-pin power supply for this connector. Make sure to find the correct orientation before plugging the connector.



Pin	Assignment	Pin	Assignment
13	+3.3V	1	+3.3V
14	-12V	2	+3.3V
15	Ground	3	Ground
16	PS_ON	4	+5V
17	Ground	5	Ground
18	Ground	6	+5V
19	Ground	7	Ground
20	NC	8	PW_OK
21	+5V	9	Standby Voltage+5V
22	+5V	10	+12V
23	+5V	11	+12V
24	Ground	12	+3.3V

ATXPWR2: ATX Power Source Connector

The connector provides +12V to the CPU power circuit. If the CPU power plug is 4-pin, please plug it into Pin 1-2-5-6 of ATXPWR2.



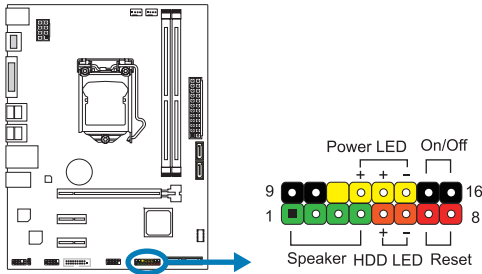
Pin	Assignment
1	+12V
2	+12V
3	+12V
4	+12V
5	Ground
6	Ground
7	Ground
8	Ground

Note

- » Before you power on the system, please make sure that both ATXPWR1 and ATXPWR2 connectors have been plugged-in.
- » Insufficient power supplied to the system may result in instability or the peripherals not functioning properly. Use of a PSU with a higher power output is recommended when configuring a system with more power-consuming devices.

PANEL1: Front Panel Header

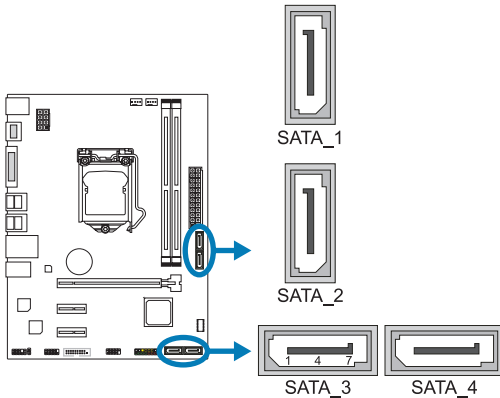
This 16-pin header includes Power-on, Reset, HDD LED, Power LED, and speaker connection.



Pin	Assignment	Function	Pin	Assignment	Function
1	+5V		9	N/A	
2	N/A	Speaker Connector	10	N/A	N/A
3	N/A		11	N/A	N/A
4	Speaker		12	Power LED (+)	Power LED
5	HDD LED (+)		13	Power LED (-)	
6	HDD LED (-)	Hard drive LED	14	Power LED (-)	
7	Ground	Reset button	15	Power button	Power-on button
8	Reset control		16	Ground	

SATA_1/_2/_3/_4: Serial ATA Connectors

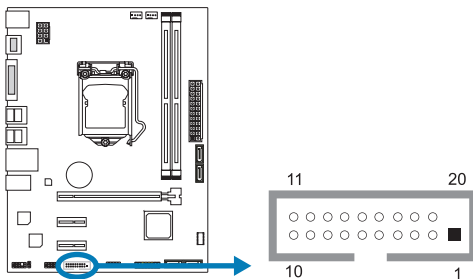
These connectors connect to SATA hard disk drives via SATA cables.



Pin	Assignment
1	Ground
2	TX+
3	TX-
4	Ground
5	RX-
6	RX+
7	Ground

JFRONT_USB3_1: Header for USB 3.2(Gen1) Ports at Front Panel

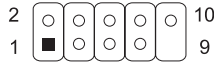
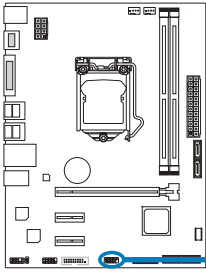
This header allows user to add additional USB ports on the PC front panel, and also can be connected with a wide range of external peripherals.



Pin	Assignment	Pin	Assignment
1	VBUS0	11	D2+
2	SSRX1-	12	D2-
3	SSRX1+	13	Ground
4	Ground	14	SSTX2+
5	SSTX1-	15	SSTX2-
6	SSTX1+	16	Ground
7	Ground	17	SSRX2+
8	D1-	18	SSRX2-
9	D1+	19	VBUS1
10	ID	20	Key

F_USB1: Header for USB 2.0 Ports at Front Panel

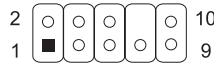
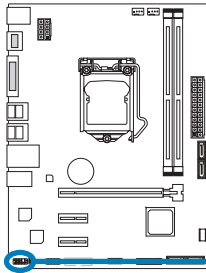
This header allows user to add additional USB ports on the PC front panel, and also can be connected with a wide range of external peripherals.



Pin	Assignment
1	+5V (fused)
2	+5V (fused)
3	USB-
4	USB-
5	USB+
6	USB+
7	Ground
8	Ground
9	Key
10	NC

F_AUDIO1: Front Panel Audio Header

This header allows user to connect the chassis-mount front panel audio I/O which supports HD and AC'97 audio standards.



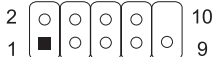
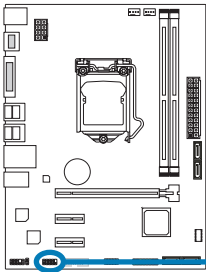
HD Audio		AC'97	
Pin	Assignment	Pin	Assignment
1	Mic Left in	1	Mic In
2	Ground	2	Ground
3	Mic Right in	3	Mic Power
4	GPIO	4	Audio Power
5	Right line in	5	RT Line Out
6	Jack Sense	6	RT Line Out
7	Front Sense	7	Reserved
8	Key	8	Key
9	Left line in	9	LFT Line Out
10	Jack Sense	10	LFT Line Out

Note

- » It is recommended that you connect a high-definition front panel audio module to this connector to avail of the motherboard's high definition audio capability.
- » Please try to disable the "Front Panel Jack Detection" if you want to use an AC'97 front audio output cable. The function can be found via O.S. Audio Utility.

COM1: Serial Port Header

The motherboard has a serial port header for connecting RS-232 Port.



Pin	Assignment
1	Carrier detect
2	Received data
3	Transmitted data
4	Data terminal ready
5	Signal ground
6	Data set ready
7	Request to send
8	Clear to send
9	Ring indicator
10	Key

Chapter 3: UEFI BIOS & Software

3.1 UEFI BIOS Setup

- The BIOS Setup program can be used to view and change the BIOS settings for the computer. The BIOS Setup program is accessed by pressing the key after the Power-On Self-Test (POST) memory test begins and before the operating system boot begins.
- For further information of setting up the UEFI BIOS, please refer to the UEFI BIOS Manual on our website.

3.2 BIOS Update

The BIOS can be updated using either of the following utilities:

- **BIOSTAR BIO-FLASHER:** Using this utility, the BIOS can be updated from a file on a hard disk, a USB drive (a flash drive or a USB hard drive), or a CD-ROM.
- **BIOSTAR BIOS Update Utility:** It enables automated updating while in the Windows environment. Using this utility, the BIOS can be updated from a file on a hard disk, a USB drive (a flash drive or a USB hard drive), or a CD-ROM, or from the file location on the Web.

BIOSTAR BIO-FLASHER

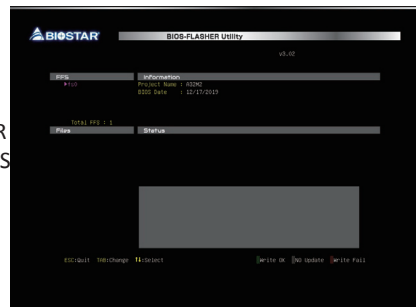
Note

- » This utility only allows storage device with FAT32/16 format and single partition.
- » Shutting down or resetting the system while updating the BIOS will lead to system boot failure.

Updating BIOS with BIOSTAR BIO-FLASHER

1. Go to the website to download the latest BIOS file for the motherboard.
2. Then, copy and save the BIOS file into a USB flash (pen) drive. (Only supported FAT/FAT32 format)
3. Insert the USB pen drive that contains the BIOS file to the USB port.
4. Power on or reset the computer and then press <F12> during the POST process.

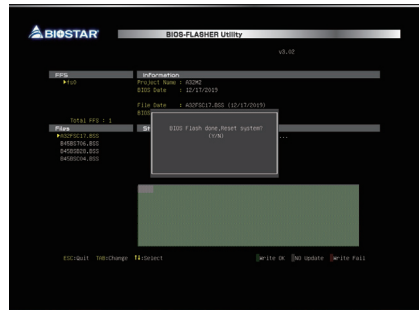
5. After entering the POST screen, the BIO-FLASHER utility pops out. Choose <fs0> to search for the BIOS file.



6. Select the proper BIOS file, and a message asking if you are sure to flash the BIOS file. Click “Yes” to start updating BIOS.



7. A dialog pops out after BIOS flash is completed, asking you to restart the system. Press the <Y> key to restart system.



8. While the system boots up and the full screen logo shows up, press key to enter BIOS setup.

After entering the BIOS setup, please go to the <Save & Exit>, using the <Restore Defaults> function to load Optimized Defaults, and select <Save Changes and Reset> to restart the computer. Then the BIOS Update is completed.

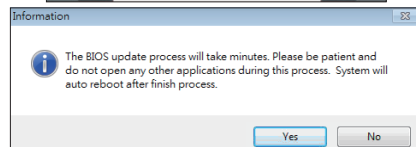
BIOS Update Utility (through the Internet)

1. Installing BIOS Update Utility from the DVD Driver.
2. Please make sure the system is connected to the internet before using this function.

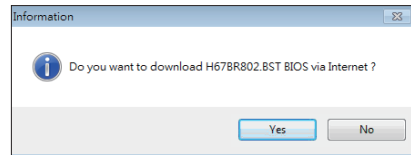
3. Launch BIOS Update Utility and click the “Online Update” button on the main screen.



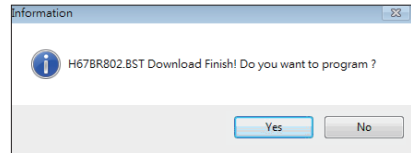
4. An open dialog will show up to request your agreement to start the BIOS update. Click “Yes” to start the online update procedure.



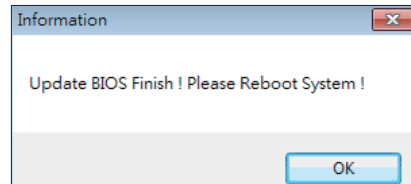
5. If there is a new BIOS version, the utility will ask you to download it. Click “Yes” to proceed.



6. After the download is completed, you will be asked to program (update) the BIOS or not. Click “Yes” to proceed.



7. After the updating process is finished, you will be asked you to reboot the system. Click “OK” to reboot.



8. While the system boots up and the full screen logo shows up, press key to enter BIOS setup.

After entering the BIOS setup, please go to the <Save & Exit>, using the <Restore Defaults> function to load Optimized Defaults, and select <Save Changes> and <Reset> to restart the computer. Then, the BIOS Update is completed.

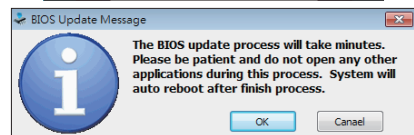
BIOS Update Utility (through a BIOS file)

1. Installing BIOS Update Utility from the DVD Driver.
2. Download the proper BIOS from <http://www.biostar.com.tw/>

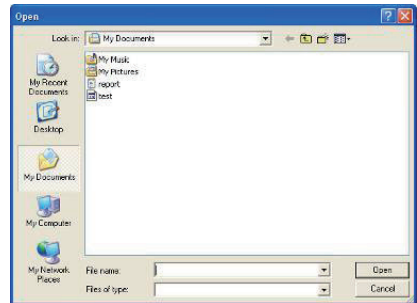
3. Launch BIOS Update Utility and click the “Update BIOS” button on the main screen.



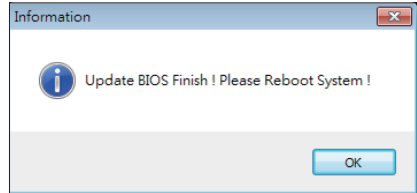
4. A warning message will show up to request your agreement to start the BIOS update. Click “OK” to start the update procedure.



5. Choose the location for your BIOS file in the system. Please select the proper BIOS file, and then click on “Open”. It will take several minutes, please be patient.



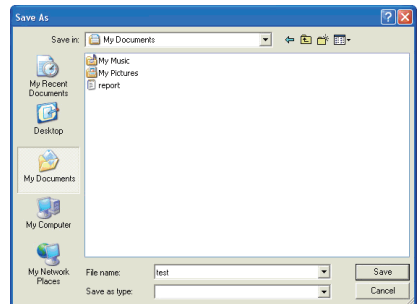
6. After the BIOS Update process is finished, click on “OK” to reboot the system.



7. While the system boots up and the full screen logo shows up, press key to enter BIOS setup. After entering the BIOS setup, please go to the <Save & Exit>, using the <Restore Defaults> function to load Optimized Defaults, and select <Save Changes and Reset> to restart the computer. Then, the BIOS Update is completed.

Backup BIOS

Click the Backup BIOS button on the main screen for the backup of BIOS, and select a proper location for your backup BIOS file in the system, and click “Save”.



3.3 Software

Installing Software

1. Insert the Setup DVD to the optical drive. The driver installation program would appear if the Auto-run function has been enabled.
2. Select Software Installation, and then click on the respective software title.
3. Follow the on-screen instructions to complete the installation.

Launching Software

After the installation process is completed, you will see the software icon showing on the desktop. Double-click the icon to launch it.

Note

- » All the information and content about following software are subject to be changed without notice. For better performance, the software is being continuously updated.
- » The information and pictures described below are for your reference only. The actual information and settings on board may be slightly different from this manual.

BIOScreen Utility

This utility allows you to personalize your boot logo easily. You can choose BMP as your boot logo so as to customize your computer.



Please follow the step-by-step instructions below to update boot logo:

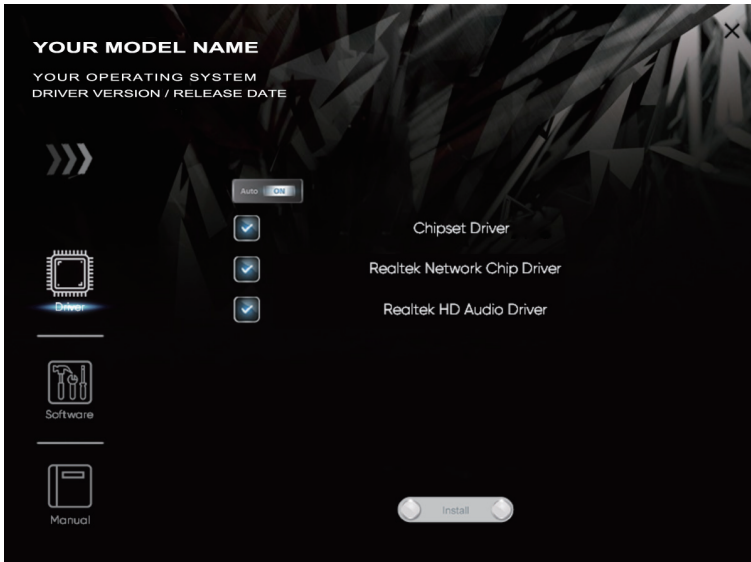
- Load Image: Choose the picture as the boot logo.
- Transform: Transform the picture for BIOS and preview the result.
- Update Bios: Write the picture to BIOS Memory to complete the update.

Chapter 4: Useful help

4.1 Driver Installation

After you installed your operating system, please insert the Fully Setup Driver DVD into your optical drive and install the driver for better system performance.

You will see the following window after you insert the DVD



The setup guide will auto detect your motherboard and operating system.

A. Driver Installation

To install the driver, please click on the Driver icon. The setup guide will list the compatible driver for your motherboard and operating system. Click on each device driver to launch the installation program.

B. Software Installation

To install the software, please click on the Software icon. The setup guide will list the software available for your system, click on each software title to launch the installation program.

C. Manual

Aside from the paperback manual, we also provide manual in the Driver DVD. Click on the Manual icon to browse for available manual.

Note

- » *If this window didn't show up after you insert the Driver DVD, please use file browser to locate and execute the file SETUP.EXE under your optical drive.*
- » *You will need Acrobat Reader to open the manual file. Please download the latest version of Acrobat Reader software from <http://get.adobe.com/reader/>*
- » *The motherboard used in the illustrations may not resemble the actual board. these illustrations are for reference only.*

4.2 AMI BIOS Beep Code

Boot Block Beep Codes

Number of Beeps	Description
Continuing	Memory sizing error or Memory module not found

POST BIOS Beep Codes

Number of Beeps	Description
1	Success booting.
8	Display memory error (system video adapter)

4.3 AMI BIOS post code

Code	Description
10	PEI Core is started
11	Pre-memory CPU initialization is started
15	Pre-memory North Bridge initialization is started
19	Pre-memory South Bridge initialization is started
2B	Memory initialization. Serial Presence Detect (SPD) data reading
2C	Memory initialization. Memory presence detection
2D	Memory initialization. Programming memory timing information
2E	Memory initialization. Configuring memory
2F	Memory initialization (other).
31	Memory Installed
32	CPU post-memory initialization is started
33	CPU post-memory initialization. Cache initialization
34	CPU post-memory initialization. Application Processor(s) (AP) initialization
35	CPU post-memory initialization. Boot Strap Processor (BSP) selection
36	CPU post-memory initialization. System Management Mode (SMM) initialization
37	Post-Memory North Bridge initialization is started
3B	Post-Memory North Bridge initialization (North Bridge module specific)
4F	DXE IPL is started
60	DXE Core is started
F0	Recovery condition triggered by firmware (Auto recovery)
F1	Recovery condition triggered by user (Forced recovery)
F2	Recovery process started
F3	Recovery firmware image is found
F4	Recovery firmware image is loaded
E0	S3 Resume is started (S3 Resume PPI is called by the DXE IPL)
E1	S3 Boot Script execution
E2	Video repost
E3	OS S3 wake vector call
60	DXE Core is started
61	NVRAM initialization
62	Installation of the South Bridge Runtime Services
63	CPU DXE initialization is started
68	PCI host bridge initialization
69	North Bridge DXE initialization is started
6A	North Bridge DXE SMM initialization is started

Code	Description
70	South Bridge DXE initialization is started
71	South Bridge DXE SMM initialization is started
72	South Bridge devices initialization
78	South Bridge DXE Initialization (South Bridge module specific)
79	ACPI module initialization
90	Boot Device Selection (BDS) phase is started
91	Driver connecting is started
92	PCI Bus initialization is started
93	PCI Bus Hot Plug Controller Initialization
94	PCI Bus Enumeration
95	PCI Bus Request Resources
96	PCI Bus Assign Resources
97	Console Output devices connect
98	Console input devices connect
99	Super IO Initialization
9A	USB initialization is started
9B	USB Reset
9C	USB Detect
9D	USB Enable
A0	IDE initialization is started
A1	IDE Reset
A2	IDE Detect
A3	IDE Enable
A4	SCSI initialization is started
A5	SCSI Reset
A6	SCSI Detect
A7	SCSI Enable
A8	Setup Verifying Password
A9	Start of Setup
AB	Setup Input Wait
AD	Ready To Boot event
AE	Legacy Boot event
AF	Exit Boot Services event
B0	Runtime Set Virtual Address MAP Begin
B1	Runtime Set Virtual Address MAP End
B2	Legacy Option ROM Initialization
B3	System Reset
B4	USB hot plug
B5	PCI bus hot plug
B6	Clean-up of NVRAM
B7	Configuration Reset (reset of NVRAM settings)

4.4 Troubleshooting

Probable	Solution
1. There is no power in the system. Power LED does not shine; the fan of the power supply does not work. 2. Indicator light on keyboard does not shine.	1. Make sure power cable is securely plugged in. 2. Replace cable. 3. Contact technical support.
System is inoperative. Keyboard lights are on, power indicator lights are lit, and hard drives are running.	Using even pressure on both ends of the DIMM, press down firmly until the module snaps into place.
System does not boot from a hard disk drive, but can be booted from optical drive.	1. Check cable running from disk to disk controller board. Make sure both ends are securely plugged in; check the drive type in the standard CMOS setup. 2. Backing up the hard drive is extremely important. All hard disks are capable of breaking down at any time.
System only boots from an optical drive. Hard disks can be read, applications can be used, but system fails to boot from a hard disk.	1. Back up data and applications files. 2. Reformat the hard drive. Re-install applications and data using backup disks.
Screen message shows "Invalid Configuration" or "CMOS Failure."	Review system's equipment. Make sure correct information is in setup.
System cannot boot after user installs a second hard drive.	1. Set master/slave jumpers correctly. 2. Run SETUP program and select correct drive types. Call the drive manufacturers for compatibility with other drives.

CPU Overheated

If the system shutdown automatically after power on system for seconds, that means the CPU protection function has been activated.

When the CPU is over heated, the motherboard will shutdown automatically to avoid a damage of the CPU, and the system may not power on again.

In this case, please double check:

1. The CPU cooler surface is placed evenly with the CPU surface.
2. CPU fan is rotated normally.
3. CPU fan speed is fulfilling with the CPU speed.

After confirmed, please follow steps below to relief the CPU protection function.

1. Remove the power cord from power supply for seconds.
2. Wait for seconds.
3. Plug in the power cord and boot up the system.

Or you can:

1. Clear the CMOS data. (See "Close CMOS Header: JCMOS1" section)
2. Wait for seconds.
3. Power on the system again.

APPENDIX I: Specifications in Other Languages

Arabic

المواصفات	
المأخذ 1151 لمعالج ايه إم دي Intel® Core / Pentium / Celeron (الجيل 8 / 9) * تدعم الجيل 9/8 من Intel® كور™ عائلة المعالج 300 سلسلة فقط. * يرجى الرجوع إلى الموقع www.biostar.com.tw لقائمة دعم المعالج CPU.	قاعدة وحدة المعالجة المركزية
INTEL® H310	مجموعة الشرائح
تدعم قناة مزدوجة دي. دي. ار. DDR4 1866/2133/2400/2666 2x دي. دي. ار. DDR4 كور™ عائلة المعالج 300 سلسلة فقط. تتحمل كحد أقصى 32 جيجابايت ذاكرة كل فتحة مزدوجة DIMM تتحمل دون ECC 16/8/4 جيجابايت دي. دي. ار. DDR4 * يرجى الرجوع إلى الموقع www.biostar.com.tw لقائمة دعم الذاكرة.	الذاكرة
وصلة 4x ساتا SATA III (6Gb/s)	التخزين
RTL8111H 1000 / 100 / 10 ميجابايت / الثنائية ، تحديد تلقائي ، النصف / القدرة القصوى المزدوجة	شبكة محلية LAN
ALC887 7.1 قنوات عالية الدقة	الترميز الصوتي
منافذ 4 x ناقل متسلسل عام USB 3.2 (Gen1) (2 في المداخل والمخارج الخلفية و 2 من خلال الموزع الداخلي) منافذ 6 x ناقل متسلسل عام USB 2.0 (4 في المداخل والمخارج الخلفية و 2 من خلال الموزع الداخلي)	ناقل متسلسل عام USB
2 x فتحة منفذ الملحقات الإضافية PCIe 2.0 x 1 1 x فتحة منفذ الملحقات الإضافية PCIe 3.0 x 16	فتحات التوسع
1 x PS/2 لوحة المفاتيح للكمبيوتر/الفارة فتحة توصيل عدد 1 x واجهة مرئية رقمية HDMI فتحة توصيل عدد 1 x واجهة مرئية رقمية VGA فتحة لتوصيل عدد 1 x الشبكة المحلية LAN فتحة توصيل عدد 4 x ناقل متسلسل عام USB 2.0 فتحة توصيل عدد 2 x ناقل متسلسل عام USB 3.2 (Gen1) فتحة توصيل عدد 3 x جاك للصوت	المداخل والمخارج الخلفية
وصلة 4x ساتا SATA III (6Gb/s) موزع 1 x ناقل متسلسل عام USB 2.0 (كل موزع يتحمل فتحتين ناقل متسلسل عام USB 2.0) موزع 1 x ناقل متسلسل عام USB 3.2 (Gen1) (كل موزع يتحمل فتحتين ناقل متسلسل عام USB 3.2) وصلة للطاقة 8 x دبابيس وصلة للطاق 1 x 24 دبوس وصلة 1 x مروحة تبريد وحدة المعالجة المركزية وصلة 1 x مراوح تبريد المنظومة موزع 1 x اللوحة الأمامية موزع 1 x الصوت الأمامي موزع 1 x سيموس مياثر موزع 1 x فتحة تسلسلية	المداخل والمخارج الداخلية
عامل شكل مدد التكنولوجيا المتقدمة uATX • 226 مم x 171 مم	عامل الشكل
ويندوز 7 / ويندوز (64bit) 10 * بيوستار BIOSTAR تحتفظ بحق إضافة أو إزالة الدعم لأي نظام تشغيل مع أو بدون أنظار.	أنظمة التشغيل المدعومة

German

Spezifikationen	
CPU-Unterstützung	Connection 1151 for the 9th / 8th Intel® Core, Pentium and Celeron processors * 9. / 8. Generation Intel® Core™ Prozessor Familie unterstützt nur 300-Serie * Bitte konsultieren Sie www.biostar.com.tw für CPU-Unterstützungsliste
Chipset	INTEL® H310
Festplattenspeicher	Unterstützt zweikanaliges DDR4 1866/2133/2400/2666 2x DDR4 DIMM-SpeicherSlot, Max. Uterstützung bis zu 32 GB-Speicher Jedes DIMM unterstützt nicht-ECC 4/8/16 GB DDR4-Module * Bitte konsultieren Sie www.biostar.com.tw für für Speicherunterstützung Liste.
Arbeitsspeicher	4x SATA III-Verbindung
LAN	RTL8111H 10/ 100/ 1000 Mb Auto-Negotiation, Halb- / Voll-Duplex-fähig
Audio-Codec	ALC887 7.1 Kanäle, HD-Audio
USB	4x USB 3.2(Gen1)-Port (2 hintere I/Os und 2 via interne Header) 6x USB 2.0-Port (4 hintere I/Os und 2 via interne Header)
Erweiterungsanschlüsse	2x PCIe 2.0 x1-Slot 1x PCIe 3.0 x16-Slot
Hintere I/Os	1x PS/2-Keyboard & Maus 1x HDMI-Port 1x VGA-Port 1x LAN-Port 4x USB 2.0-Port 2x USB 3.2(Gen1)-Port 3x Audio Jack
Interne I/Os	4x SATA III-Verbindung 1x USB 2.0-Header (jeder Header unterstützt 2 USB 2.0-Ports) 1x USB 3.2(Gen1)-Header (jeder Header unterstützt 2 USB 3.2(Gen1)-Ports) 1x 8-Pin-Stromverbindung 1x 24-Pin-Stromverbindung 1x CPU-Ventilatorverbindung 1x System-Ventilatorverbindung 1x Header für Frontpanel 1x Header für Frontaudio 1x Header für klares CMOS 1x Header für Seriellen Anschluss
Formfaktor	uATX Formfaktor, 226 mm x 171mm
OS-Unterstützung	Windows 7/ 10(64bit) * Biostar reserves the right to add or remove support for any OS with or without notice.

Spanish

Especificaciones	
Compatibilidad con el procesador	Ranura 1151 para el 9 ^º / 8 ^º procesador Intel® Core, Pentium y Celeron * La familia de procesadores Intel® Core™ de 9 ^ª / 8 ^ª generación solo es compatible con la serie 300. *Por favor consultar con www.biostar.com.tw para la lista de compatibilidad con el procesador.
Tipo de Placa	INTEL® H310
Memoria	Soporta DDR4 1866/2133/2400/2666 Doble Canal 2x DDR4 DIMM Ranura de memoria Soporta hasta 32 GB Memoria Cada DIMM soporta un modulo non-ECC 4/8/16 GB DDR4 *Por favor consultar con www.biostar.com.tw para la lista de compatibilidad con el memoria.
Almacenamiento de información	Conector 4x SATA III
LAN	RTL8111H 10/ 100/ 1000 Mb/s auto negociación, capacidad dúplex Mitad/Completo
Códec Audio	ALC887 Canales Audio de Alta Definición 7.1
USB	Ranura 4x USB 3.2(Gen1) (2 en las entrada/salidas posteriores y 2 por los distribuidores internos) Ranura 6x USB 2.0 (4 en las entrada/salidas posteriores y 2 por los distribuidores internos)
Ranuras de Extinción	Ranura 2x PCIe 2.0 x1 Ranura 1x PCIe 3.0 x16
Panel trasero de E/S	Teclado/ Ratón 1x PS/2 Ranura 1x HDMI Ranura 1x VGA Ranura 1x LAN Ranura 4x USB 2.0 Ranura 2x USB 3.2(Gen1) Socket audio 3x
Conectores en placa	Conector 4x SATA III Distribuidor 1x USB 2.0 (cada distribuidor soporta 2 ranuras USB 2.0) Distribuidor 1x USB 3.2(Gen1) (cada distribuidor soporta 2 ranuras USB 3.2(Gen1)) Conector con 8 patillas x1 Conector con 24 patillas x1 Conector Ventilador procesador x1 Conector Ventilador Sistema x1 Distribuidor Panel Frontal x1 Distribuidor Audio Frontal x1 Distribuidor CMOS Directo x1 Distribuidor Ranura Serie x1
Factor de Forma	Factor de Forma uATX, 226mm x 171mm
Soporte OS	Windows 7/ 10(64bit) * Biostar reserva su derecho de añadir o retirar el soporte para cada OS con o sin notificación.

Thai

คุณสมบัติ	
ซีพียู	ซี็อกเก็ด 1151 สำหรับโปรเซสเซอร์ 9th / 8th Intel® Core, Pentium และ Celeron * ตระกูลโปรเซสเซอร์ Intel® Core™ รุ่น 9 และ 8 รองรับเฉพาะ 300-Series * เข้าชมได้ที่ www.biostar.com.tw สำหรับรายการซีพียูที่สนับสนุน
ชิพเซ็ต	INTEL® H310
หน่วยความจำ	สนับสนุน Dual Channel DDR4 1866/2133/2400/2666 รองรับหน่วยความจำ 2 สล็อต DDR4 DIMM สูงสุดถึง 32 GB ทุก DIMM สนับสนุนโมดูล non-ECC 4/8/16GB DDR4 * เข้าชมได้ที่ www.biostar.com.tw สำหรับรายการหน่วยความจำที่สนับสนุน
สโตอเรจ	4x SATA III พอร์ตเชื่อมต่อ
แลน	RTL8111H 10/ 100/ 1000 Mb/s การเจรจาอัตโนมัติ, ความสามารถในการเพิร์สก์ Half / Full
ออดิโอ โคเดค	ALC887 7.1 Channels, High Definition Audio
ยูเอสบี	4x USB 3.2(Gen1) พอร์ต (2 พอร์ตด้านหลัง I/O และ 2 พอร์ต ผ่านพอร์ตเชื่อมต่อด้านใน) 6x USB 2.0 พอร์ต (4 พอร์ตด้านหลัง I/O และ 2 พอร์ต ผ่านพอร์ตเชื่อมต่อด้านใน)
สล็อตขยายเพิ่มเติม	2x PCIe 2.0 x1 สล็อต 1x PCIe 3.0 x16 สล็อต
พอร์ต I/O ด้านหลัง	1x PS/2 เมาส์/ คีย์บอร์ด 1x HDMI พอร์ต 1x VGA พอร์ต 1x LAN พอร์ต 4x USB 2.0 พอร์ต 2x USB 3.2(Gen1) พอร์ต 3x Audio Jack
พอร์ต I/O ด้านใน	4x SATA III พอร์ตเชื่อมต่อ 1x USB 2.0 พอร์ตเชื่อมต่อ(หัวเชื่อมต่อทุกตัวรองรับ 2 พอร์ต USB 2.0) 1x USB 3.2(Gen1) พอร์ตเชื่อมต่อ (หัวเชื่อมต่อทุกตัวรองรับ 2 พอร์ต USB 3.2(Gen1)) 1x 8-Pin Power พอร์ตเชื่อมต่อ 1x 24-Pin Power พอร์ตเชื่อมต่อ 1x พอร์ตเชื่อมต่อ CPU Fan 1x พอร์ตเชื่อมต่อระบบ Fan 1x พอร์ตเชื่อมต่อแผงด้านหน้า 1x พอร์ตเชื่อมต่อออดิโอด้านหน้า 1x พอร์ต Clear CMOS 1x พอร์ตเชื่อมต่อ Serial Port
รูปแบบจากโรงงาน	ขนาด uATX จากโรงงาน, 171 มม. x 226 มม.
สนับสนุน OS	Windows 7/ 10(64bit) * Biostar ขอสงวนสิทธิ์ในการเพิ่มหรือลดการสนับสนุนสำหรับระบบปฏิบัติการ OS ต่างๆ โดยไม่ต้องแจ้งให้ทราบล่วงหน้า

Japan

仕様	
CPU 対応	ソケット1151サポートの第8/9世代Intel® Core™、Pentium、Celeronプロセッサ * 第8/9世代Intel® Core™プロセッサファミリーは300シリーズのみに対応しています * 対応CPUの一覧は、www.biostar.com.twを参照してください
チップセット	Intel® H310
メモリ	デュアルチャンネルDDR4 1866/ 2133/ 2400/ 2666 に対応 2x DDR4 DIMMメモリスロット、最大32GBのメモリーに対応 各DIMMは非ECC 4/ 8/ 16GB DDR4モジュールに対応 * 対応メモリーの一覧は、www.biostar.com.twを参照してください。
ストレージ	4x SATA IIIコネクタ(6Gb/s)
LAN	RTL8111H 10/ 100/ 1000 Mb/秒の自動ネゴシエーション、半二重/全二重に対応
オーディオコーデック	ALC887 7.1チャンネル、HDオーディオ
USB	4x USB 3.2 (Gen1)ポート(2個は背面I/Oにあり、2個は内部ヘッダ経由) 6x USB 2.0ポート(4個は背面I/Oにあり、2個は内部ヘッダ経由)
拡張スロット	2x PCIe 2.0 x1スロット 1x PCIe 3.0 x16スロット
背面 I/O	1x PS/2キーボード/ マウス ポート 1x HDMIポート 1x VGAポート 1x LANポート 4x USB 2.0ポート 2x USB 3.2 (Gen1)ポート 3x オーディオジャック
内部 I/O	4x SATA IIIコネクタ(6Gb/s) 1x USB 2.0ヘッダー(各ヘッダーは2台のUSB 2.0ポートに対応) 1x USB 3.2 (Gen1)ヘッダー(各ヘッダーは2台のUSB 3.2 (Gen1)ポートに対応) 1x 8ピン電源コネクタ 1x 24ピン電源コネクタ 1x CPUファンコネクタ 1x システムファンコネクタ 1x フロントパネルヘッダー 1x フロントオーディオヘッダー 1x クリアCMOSヘッダー 1x COMポートヘッダー
フォームファクタ	uATXフォームファクタ、226 mm x 171 mm
対応 OS	Windows 7/ 10(64bit) BIOSTARは、予告の有無にかかわらず、対応OSを追加または削除する権利を有します

Информация FCC и авторское право

Это оборудование было протестировано и признано соответствующим ограничениям для цифровых устройств класса В в соответствии с частью 15 правил Федеральной комиссии по связи США (FCC). Эти ограничения разработаны для обеспечения разумной защиты от вредных помех при установке в жилых помещениях. Это оборудование генерирует, использует и может излучать радиочастотную энергию и, если оно установлено и используется не в соответствии с инструкциями, может создавать вредные помехи для радиосвязи. Не гарантируется, что помехи не возникнут при конкретной установке.

Поставщик не дает никаких заверений и гарантий в отношении содержания настоящего документа и, в частности, отказывается от любых подразумеваемых гарантий товарной пригодности или пригодности для каких-либо целей. Кроме того, поставщик оставляет за собой право пересматривать настоящий документ и вносить изменения в его содержание без обязательства заранее уведомлять какую-либо сторону. Частичное или полное копирование настоящего документа запрещено без предварительного письменного согласия поставщика.

Содержание настоящего руководства пользователя может быть изменено без предварительного уведомления, и мы не несем ответственности за любые обнаруженные в нем ошибки. Все торговые марки и названия продуктов являются товарными знаками соответствующих компаний.



Dichiarazione di conformità sintetica
Ai sensi dell'art. 2 comma 3 del D.M. 275 del
30/10/2002
Si dichiara che questo prodotto è conforme
alle normative vigenti e soddisfa i requisiti
essenziali richiesti dalle direttive
2004/108/CE, 2006/95/CE e 1999/05/CE
quando ad esso applicabili

Краткая декларация о соответствии
Мы заявляем, что этот продукт
соответствует
действующим законам и всем основным
требованиям, указанным в директивах
2004/108/ЕС, 2006/95/ЕС и 1999/05/ЕС,
во всех случаях, когда эти законы могут
применяться.

Содержание

Информация FCC и авторское право	1
Глава 1: Введение	3
1.1 Перед началом	3
1.2 Состав упаковки	3
1.3 Технические характеристики	4
1.4 Разъемы задней панели	5
1.5 Компоновка материнской платы	6
Глава 2: Установка оборудования	7
2.1 Установка центрального процессора (ЦП)	7
2.2 Установка радиатора	9
2.3 Подключение охлаждающих вентиляторов	10
2.4 Установка системной памяти	10
2.5 Слоты расширения	12
2.6 Установка переключки и переключателя	13
2.7 Штыревые соединители и разъемы	14
Глава 3: UEFI BIOS и программное обеспечение	18
3.1 Настройка UEFI BIOS	18
3.2 Обновление BIOS	18
3.3 Программное обеспечение	22
Глава 4: Полезная помощь	23
4.1 Установка драйвера	23
4.2 Звуковой код BIOS AMI	24
4.3 POST-код BIOS AMI	24
4.4 Поиск и устранение неисправностей	26

Глава 1: Введение

1.1 Перед началом

Спасибо, что выбрали наш продукт. Перед тем, как начать установку материнской платы, убедитесь, что вы следуете приведенным ниже инструкциям:

- Подготовьте сухую и стабильную рабочую среду с достаточным освещением
- Обязательно отключите компьютер от розетки перед работой.
- Прежде чем вынуть материнскую плату из антистатического пакета, заземлите себя должным образом, прикоснувшись к любому надежно заземленному прибору, или используйте заземленный браслет для снятия статического заряда.
- Не прикасайтесь к компонентам на материнской плате или к задней стороне платы без необходимости. Держите плату за края, не пытайтесь ее согнуть или прогнуть.
- Не оставляйте незакрепленные мелкие детали внутри корпуса после установки. Незакрепленные детали могут вызвать короткое замыкание, что приведет к повреждению оборудования.
- Держите компьютер подальше от опасных мест, например, с источником тепла, влажным воздухом и водой.
- Рабочая температура компьютера должна быть в диапазоне от 0 до 45°C.
- Во избежание травм остерегайтесь:

острых штырьков на штыревых соединителях и разъемах;
неровных краев и острых углов шасси;

повреждения проводов, которое может вызвать короткое замыкание.

1.2 Состав упаковки

- Кабель Serial ATA – 2 шт.
- Задняя панель ввода-вывода для корпуса ATX – 1 шт.
- Руководство по быстрой установке – 1 шт.
- Полный установочный DVD-диск – 1 шт.

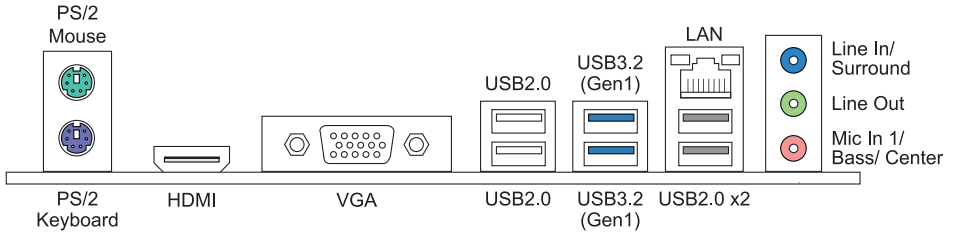
► Примечание

» Состав упаковки может отличаться в зависимости от региона продаж или моделей, для которых она предназначена. Для получения дополнительной информации о составе упаковки в вашем регионе свяжитесь со своим дилером или торговым представителем.

1.3 Технические характеристики

Технические характеристики	
Поддержка ЦП	Socket 1151 для 9-го / 8-го поколения процессоров Intel® Core, Pentium а также Celeron * Семейство процессоров Intel® Core™ 9th / 8th поколения поддерживает только 300-Series. * Перечень поддержки центрального процессора смотрите на www.biostar.com.tw .
Набор микросхем	Intel® H310
Память	Поддерживает двухканальный DDR4 1866/ 2133/ 2400/ 2666 2 гнезда платы памяти DDR4 DIMM, максимальная память до 32 Гб Каждый модуль DIMM поддерживает модуль не-ECC 4/8/16 Гб DDR4 * Перечень поддержки памяти смотрите на www.biostar.com.tw .
	Соединитель 4x SATA III (6Gb/s)
Локальная сеть	RTL8111H
	Автосогласование 10/ 100/ 1000 Мб/с, работает в полно/полудуплексном режиме
Аудиокодек	ALC887 Каналы 7.1, высококачественное аудио
USB	4 порта USB 3.2(Gen1) (2 сзади ввода-вывода и 2 через внутренние контакты)
	6 порта USB 2.0 (4 сзади ввода-вывода и 2 через внутренние контакты)
Слоты расширения	2x PCIe 2.0 x1 гнездо
	1x PCIe 3.0 x16 гнездо
Задняя панель ввода-вывода	1 клавиатура/мышь PS/2
	1 порт HDMI
	1 порт VGA
	1 порт LAN
	4 порт USB 2.0
	2 порт USB 3.2 (Gen1) 3 аудиоразъема
Внутренняя панель ввода-вывода	4 разъемов SATA III (6.0Gb/s)
	1 штыревых соединителя USB 2.0 (каждый штыревой соединитель поддерживает 2 порта USB 2.0)
	1 штыревой соединитель USB 3.2 (Gen1) (каждый штыревой соединитель поддерживает 2 порта USB 3.2 (Gen1))
	1 8-контактный разъем питания
	1 24-контактный разъем питания
	1 разъем вентилятора ЦП
	1 разъема вентилятора системы
	1 контакт передней панели
	1 контакт передней аудиопанели
	1 штыревой соединитель очистки CMOS
1 контакт последовательного порта	
Форм-фактор	µATX Form Factor, 226 mm x 171 mm
Поддержка ОС	Windows 7/ 10(64bit) Biostar reserves the right to add or remove support for any OS with or without notice.

1.4 Разъемы задней панели



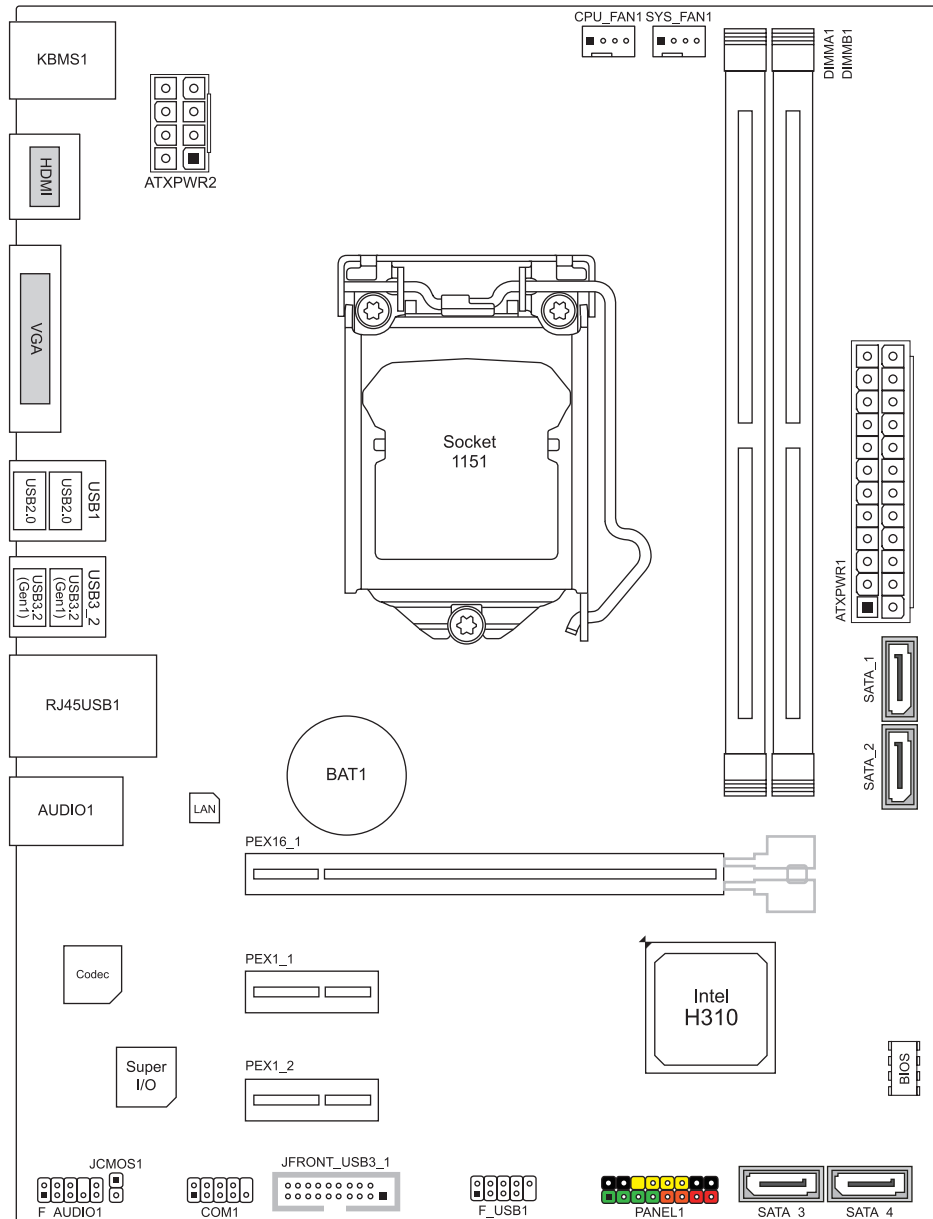
► Примечание

- » Порты HDMI/ VGA работают только со встроенным графическим процессором Intel®.
- » Максимальное разрешение
HDMI: 4096 x 2160 @24Hz, совместимо с HDMI 1.4
VGA: 1920 x 1200 @60Hz
- » При использовании переднего аудиоразъема HD и подключении гарнитуры задний звук будет автоматически отключен.
- » Материнская плата поддерживает два встроенных вывода на дисплей одновременно, а конфигурацию вывода на дисплей можно выбрать в утилите графического драйвера Intel.
- » Для настройки 7.1-канального звука необходимо использовать шасси с аудиомодулем HD на передней панели и включить функцию многоканального звука через O.S. Аудио утилита.

2/4 / 5.1 / 7.1-канальная конфигурация

Аудио порт	2-канал	4-канал	5.1 канал	7.1 канал
Синий (задняя панель)	Линия в	Линия в	Линия в	Боковой динамик
Зеленый (задняя панель)	Line Out	Выход на передний динамик	Выход на передний динамик	Выход на передний динамик
Розовый (задняя панель)	Микрофонный вход	Микрофонный вход	Выход на центр / сабвуфер	Выход на центр / сабвуфер
Зеленый (передняя панель)	Наушники	Задний динамик	Задний динамик	Задний динамик

1.5 Компоновка материнской платы



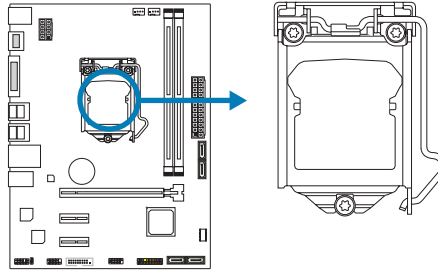
Примечание

» ■ представляет собой 1-й контакт.

Глава 2: Установка оборудования

2.1 Установка центрального процессора (ЦП)

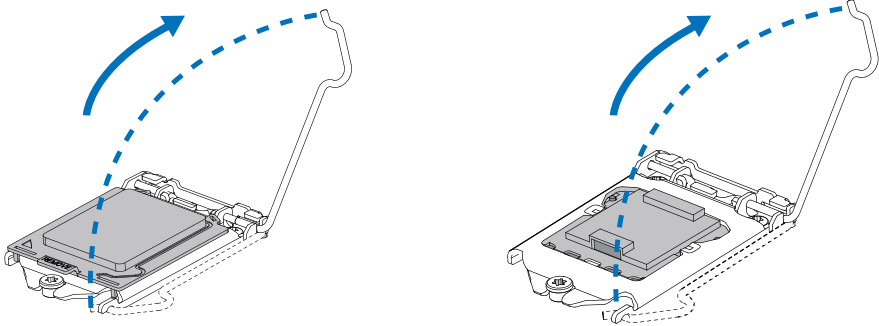
Шаг 1: Найдите сокет ЦП на материнской плате.



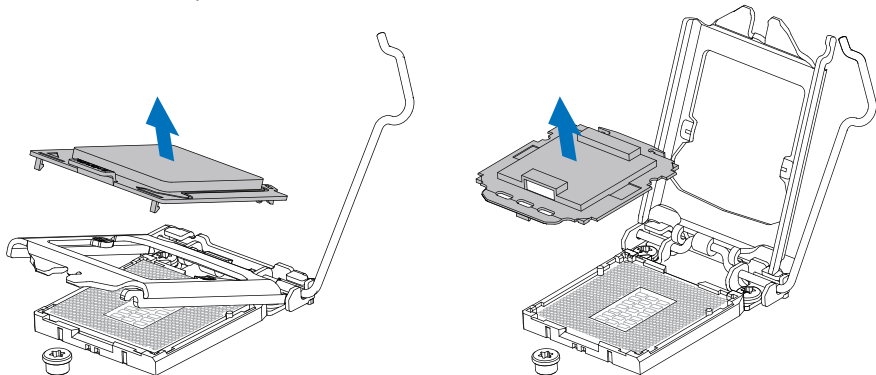
Примечание

- » Снимите штырьковый цоколь перед установкой и сохраните его для будущего использования. После снятия ЦП накройте штырьковый цоколь на пустом сокете, чтобы не повредить ножки штырьков.
- » Материнская плата может быть оснащена штырьковым цоколем двух разных типов. См. следующие указания, чтобы снять штырьковый цоколь.

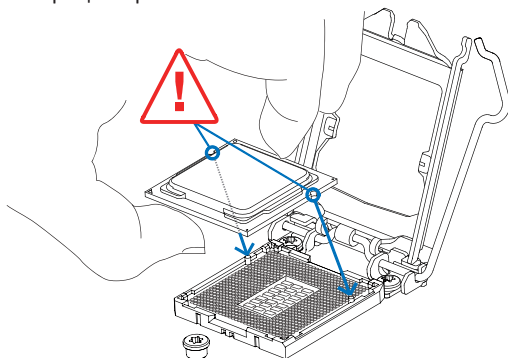
Шаг 2: Потяните из сокета фиксирующий рычаг, а затем поднимите рычаг.



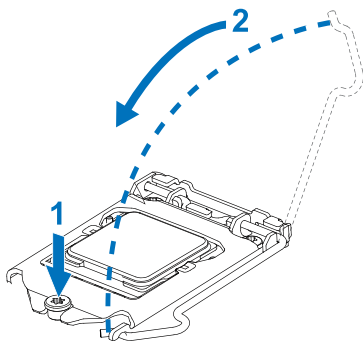
Шаг 3: Снимите штырьковый цоколь.



Шаг 4: Удерживая процессор большим и указательным пальцами, ориентируйте его, как показано на рисунке. Совместите выемки с socketом. Опустите процессор прямо вниз, не наклоняя и не сдвигая процессор в socketе.



Шаг 5: Крепко удерживая ЦП, опустите рычаг в положение фиксации, чтобы завершить установку.

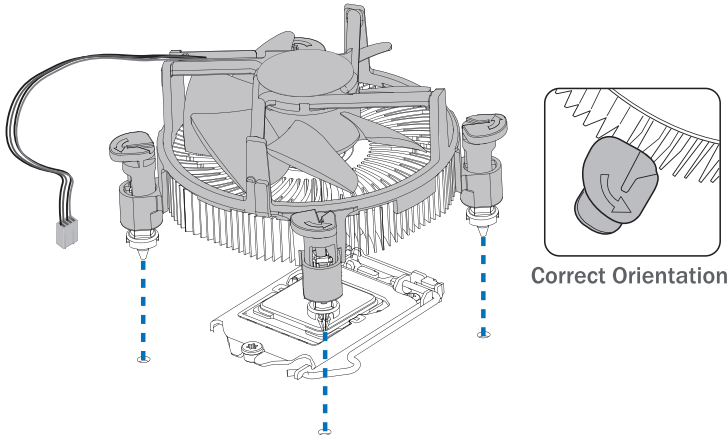


Примечание

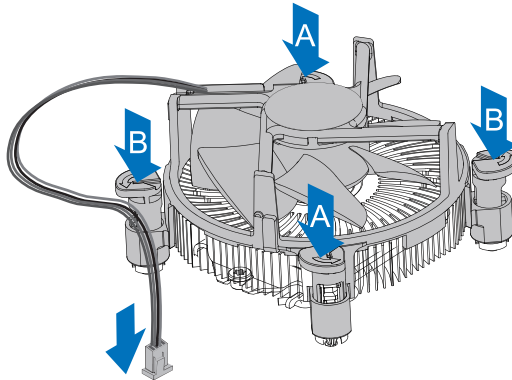
- » Убедитесь, что вы устанавливаете правильный ЦП, предназначенный для socketа LGA1151.
 - » ЦП помещается только при правильной ориентации. Не прикладывайте силу, вставляя ЦП в socket, чтобы не повредить ЦП.
-

2.2 Установка радиатора

Шаг 1: Установите вентилятор ЦП в сборе поверх установленного ЦП и убедитесь, что четыре крепежных элемента совпадают с отверстиями на материнской плате. Сориентируйте вентилятор в сборе и поместите кабель вентилятора максимально близко к разъему вентилятора ЦП.



Шаг 2: Одновременно нажмите на два крепежных элемента, которые расположены по диагонали, чтобы зафиксировать вентилятор ЦП в сборе. При фиксации каждого крепежного элемента должен быть слышен щелчок.



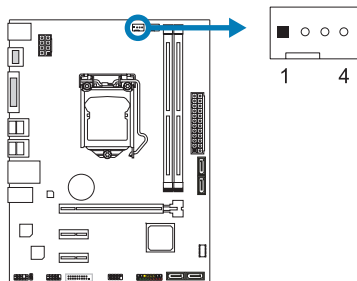
Примечание

- » При необходимости перед установкой радиатора нанесите на ЦП термоинтерфейсный материал.
- » Не забудьте подключить разъем вентилятора ЦП.
- » См. правильную установку в руководстве по установке соответствующего радиатора ЦП.

2.3 Подключение охлаждающих вентиляторов

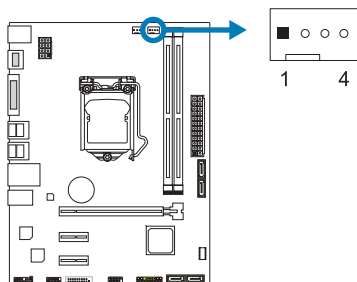
Следующие штыревые соединители предназначены для охлаждающих вентиляторов, встроенных в компьютер. Кабель и разъем вентилятора могут отличаться в зависимости от производителя вентилятора.

CPU_FAN1: Штыревой соединитель вентилятора ЦП



Pin	Assignment
1	Ground
2	+12V
3	FAN RPM rate sense
4	AI Fan Control(By Fan)

SYS_FAN1: Штыревой соединитель вентилятора системы



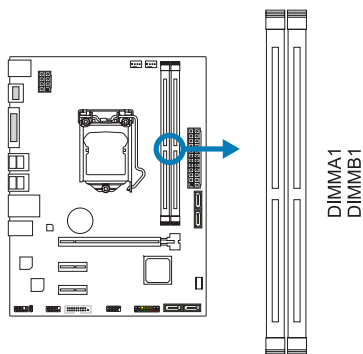
Pin	Assignment
1	Ground
2	+12V
3	FAN RPM rate sense
4	AI Fan Control(By Fan)

Примечание

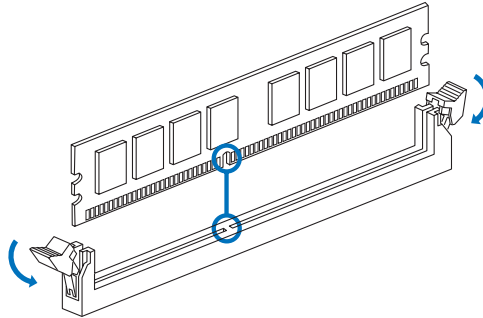
- » CPU_FAN1, SYS_FAN1 поддерживают 4-контактные и 3-контактные головные разъемы. При подключении проводов к разъемам обратите внимание, что красный провод является положительным и должен быть подключен к контакту № 2, а черный провод – это Земля и должен быть подключен к контакту № 1 (GND).

2.4 Установка системной памяти

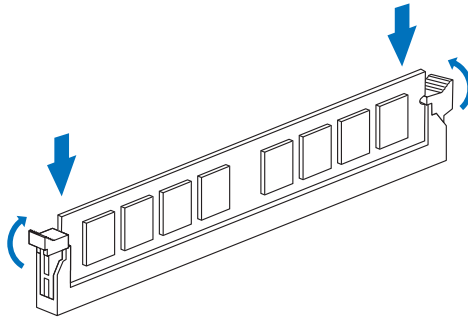
Модули DDR4



Шаг 1: Разблокируйте слот DIMM, нажав на фиксирующие зажимы наружу. Выровняйте модуль DIMM в слоте таким образом, чтобы выемка на модуле DIMM совпала с разрывом в слоте.



Шаг 2: Вставьте DIMM вертикально плотно в слот так, чтобы фиксирующие зажимы защелкнулись модуль DIMM установился должным образом.



Примечание

» Если модуль DIMM не вставляется плавно, не применяйте силу. Полностью вытащите его и попробуйте снова.

Емкость памяти

Расположение	Модуль DDR4	Общий объем памяти
DIMMA1	4 ГБ/8 ГБ/16 ГБ	Максимум 32 ГБ.
DIMMB1	4 ГБ/8 ГБ/16 ГБ	

Установка двухканальной памяти

Ознакомьтесь со следующими требованиями, чтобы активировать двухканальную функцию:

Устанавливайте модули памяти одинаковой плотности попарно, как показано в таблице.

Статус двойного	DIMMA1	DIMMB1
Disabled	O	X
Disabled	X	O
Enabled	O	O

(O память установлена, X память не установлена.)

Примечание

» При установке более одного модуля памяти рекомендуется на этой материнской плате использовать память той же марки и емкости.

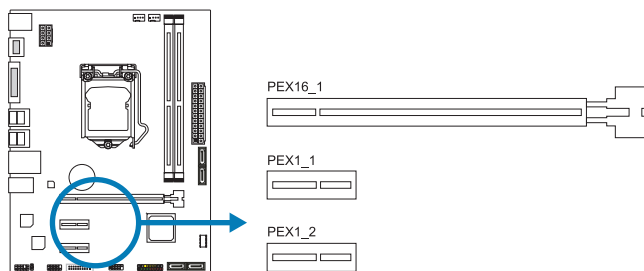
2.5 Слоты расширения

PEX16_1: слот PCI-Express Gen3 x16

- Совместимость с PCI-Express 3.0.
- Теоретическая максимальная пропускная способность при одновременном использовании двух слотов составляет 16 ГБ/с для каждого слота, всего 32 ГБ/с.

PEX1_1/ PEX1_2: слот PCI-Express Gen2 x1

- Совместимость с PCI-Express 2.0.
- Пропускная способность передачи данных до 0.5 ГБ/с в каждом направлении; всего 2 ГБ/с.



Установка карты расширения

Вы можете установить карту расширения, выполнив следующие действия:

- Прочтите инструкцию к соответствующей карте расширения, прежде чем устанавливать эту карту в компьютер.
- Снимите крышку шасси компьютера, винты и кронштейн слота с компьютера.
- Поместите карту в слот расширения и нажмите на карту, пока она полностью не установится в слот.
- Закрепите металлический кронштейн карты на задней панели шасси винтом. (Этот шаг предназначен только для установки карты VGA.)
- Установите на место крышку шасси компьютера.
- Включите компьютер, при необходимости измените настройки BIOS для платы расширения.
- Установите соответствующий драйвер для карты расширения.

Примечание

- » Обратите внимание, что при необходимости установить или удалить винт вам понадобится отвертка типа M2. Не рекомендуется использовать отвертку, не отвечающую техническим требованиям, в противном случае можно повредить винт.

2.6 Настройка переключателя

На рисунке показано, как установить перемычки. Когда колпачковая перемычка помещена на контакты, она «замкнута», в противном случае перемычка «разомкнута».

Контакт разомкнут



Контакт замкнут

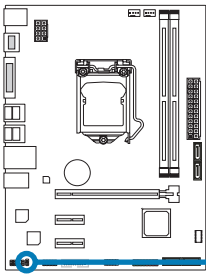


Контакт 1-2 замкнут



JCMOS1: Перемычка очистки CMOS

Перемычка позволяет пользователям восстанавливать безопасные настройки BIOS и данные CMOS. Внимательно следуйте указаниям, чтобы не повредить материнскую плату.



Контакт 1-2 разомкнут:
Нормальная работа (по умолчанию).



Контакт 1-2 замкнут:
Очистка данных CMOS.

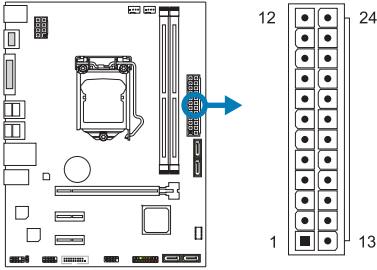
Указания по очистке CMOS:

1. Отсоедините питание переменного тока.
2. Установите перемычку в положение «Контакт 1-2 замкнут», для этого можно прикоснуться к двум контактам металлическим предметом, например отверткой.
3. Подождите пять секунд.
4. После очистки значений CMOS убедитесь, что перемычка находится в положении «Контакт 1-2 разомкнут».
5. Включите питание переменного тока.
6. Загрузите оптимальные значения по умолчанию и сохраните настройки в CMOS.

2.7 Штырьвые соединители и разъемы

ATX: разъем источника питания ATX

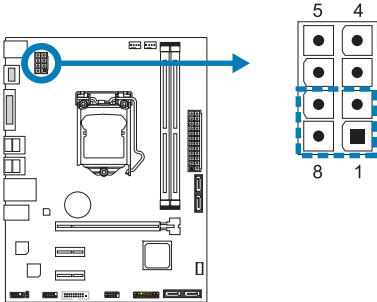
Для лучшей совместимости рекомендуется использовать для этого разъема стандартный 24-контактный источник питания ATX. Перед подключением разъема убедитесь в правильной ориентации.



Pin	Assignment	Pin	Assignment
13	+3.3V	1	+3.3V
14	-12V	2	+3.3V
15	Ground	3	Ground
16	PS_ON	4	+5V
17	Ground	5	Ground
18	Ground	6	+5V
19	Ground	7	Ground
20	NC	8	PW_OK
21	+5V	9	Standby Voltage+5V
22	+5V	10	+12V
23	+5V	11	+12V
24	Ground	12	+3.3V

ATX_12V_2X4: разъем источника питания ATX

Разъем обеспечивает +12 В в цепи питания ЦП. Если разъем питания ЦП 4-контактный, подключите его к контактам 1-2-5-6 ATX_12V_2X4.



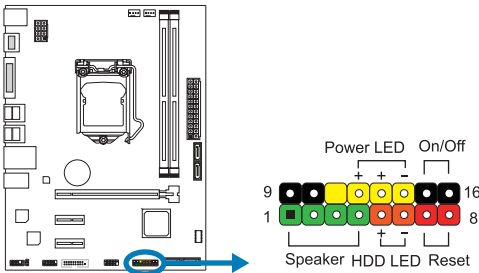
Pin	Assignment
1	+12V
2	+12V
3	+12V
4	+12V
5	Ground
6	Ground
7	Ground
8	Ground

Примечание

- » Перед включением системы убедитесь, что вставлены оба разъема ATXPWR1, ATXPWR2.
- » Недостаточное питание системы может привести к нестабильности или неправильному функционированию периферийных устройств. При настройке системы с более энергоемкими устройствами рекомендуется использовать блок питания с более высокой выходной мощностью.

PANEL1: штыревой соединитель передней панели

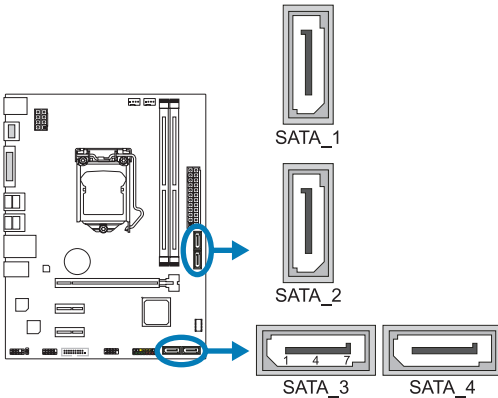
Этот 10-контактный штыревой соединитель включает в себя соединения включения питания, сброса, светодиода жесткого диска.



Pin	Assignment	Function	Pin	Assignment	Function
1	+5V	Speaker Connector	9	N/A	N/A
2	N/A		10	N/A	
3	N/A		11	N/A	
4	Speaker	Hard drive LED	12	Power LED (+)	Power LED
5	HDD LED (+)		13	Power LED (+)	
6	HDD LED (-)	Reset button	14	Power LED (-)	Power-on button
7	Ground		15	Power button	
8	Reset control		16	Ground	

SATA_1/_2/_3/_4: разъемы Serial ATA 6,0 Гбит/с

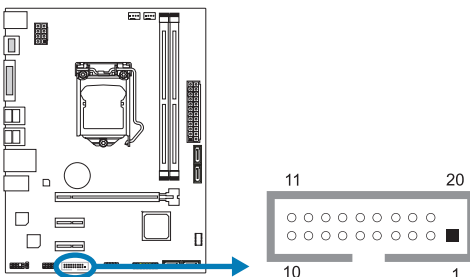
Эти разъемы подключаются к жестким дискам SATA через кабели SATA.



Pin	Assignment
1	Ground
2	TX+
3	TX-
4	Ground
5	RX-
6	RX+
7	Ground

JFRONT_USB3_1: штыревой соединитель для портов USB 3.2 (Gen1) на передней панели

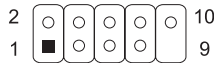
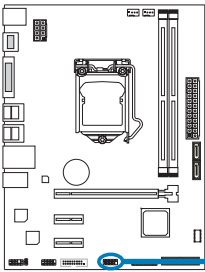
Этот штыревой соединитель позволяет пользователю добавлять дополнительные порты USB на переднюю панель ПК, а также может быть подключен к самым разным внешним периферийным устройствам.



Pin	Assignment	Pin	Assignment
1	VBUS0	11	D2+
2	SSRX1-	12	D2-
3	SSRX1+	13	Ground
4	Ground	14	SSTX2+
5	SSTX1-	15	SSTX2-
6	SSTX1+	16	Ground
7	Ground	17	SSRX2+
8	D1-	18	SSRX2-
9	D1+	19	VBUS1
10	ID	20	Key

F_USB1: штыревой соединитель для портов USB 2.0 на передней панели

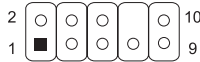
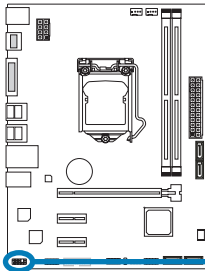
Этот штыревой соединитель позволяет пользователю добавлять дополнительные порты USB на переднюю панель ПК, а также может быть подключен к самым разным внешним периферийным устройствам.



Pin	Assignment
1	+5V (fused)
2	+5V (fused)
3	USB-
4	USB-
5	USB+
6	USB+
7	Ground
8	Ground
9	Key
10	NC

F_AUDIO: штыревой соединитель аудио передней панели

Этот штыревой соединитель позволяет пользователю подключать монтируемый на шасси вход/выход аудио передней панели, который поддерживает аудиостандарты HD Audio (звука высокой четкости) AC'97.



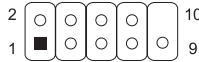
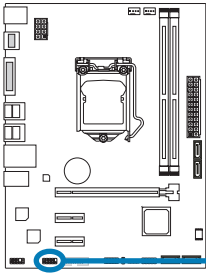
HD Audio		AC'97	
Pin	Назначение	Pin	Назначение
1	Mic Left in	1	Mic In
2	Ground	2	Ground
3	Mic Right in	3	Mic Power
4	GPIO	4	Audio Power
5	Right line in	5	RT Line Out
6	Jack Sense	6	RT Line Out
7	Front Sense	7	Reserved
8	Key	8	Key
9	Left line in	9	LFT Line Out
10	Jack Sense	10	LFT Line Out

Примечание

- » Рекомендуется подключать к этому разъему аудиомодуль высокой четкости на передней панели, чтобы использовать возможности материнской платы для воспроизведения звука высокой четкости.
- » Попробуйте отключить функцию «Обнаружение разъема на передней панели», если вы хотите использовать кабель переднего аудиовыхода AC'97. Функцию можно найти через утилиту O.S. Audio.

COM1: разъем последовательного порта

На материнской плате имеется штыревой соединитель последовательного порта для подключения порта RS-232.



Pin	Assignment
1	Carrier detect
2	Received data
3	Transmitted data
4	Data terminal ready
5	Signal ground
6	Data set ready
7	Request to send
8	Clear to send
9	Ring indicator
10	Key

Глава 3: UEFI BIOS и программное обеспечение

3.1 Настройка UEFI BIOS

- Программа настройки BIOS может использоваться для просмотра и изменения настроек BIOS для компьютера. Доступ к программе настройки BIOS можно получить, нажав клавишу после начала тестирования памяти POST (сокр. англ. Power-On Self-Test, самотестирование при включении питания) и до начала загрузки операционной системы.
- Дополнительную информацию о настройке UEFI BIOS см. в руководстве по UEFI BIOS

3.2 Обновление BIOS

BIOS можно обновить с помощью одной из следующих утилит:

- **BIOSTAR BIO-Flasher:** С помощью этой утилиты можно обновить BIOS из файла на жестком диске, USB-накопителе (флэш-накопителе или жестком USB-диске) или компакт-диске.
- **Утилита BIOSTAR BIOS Update:** Она обеспечивает автоматическое обновление в среде Windows. С помощью этой утилиты можно обновить BIOS из файла на жестком диске, USB-накопителе (флэш-накопителе или жестком USB-диске), компакт-диске или из местоположения файла в Интернете.

BIOSTAR BIO-Flasher

► Примечание

- » Эта утилита позволяет использовать только устройства хранения с форматом FAT32/16 и одним разделом.
- » Выключение или сброс системы во время обновления BIOS приведет к сбою загрузки системы.

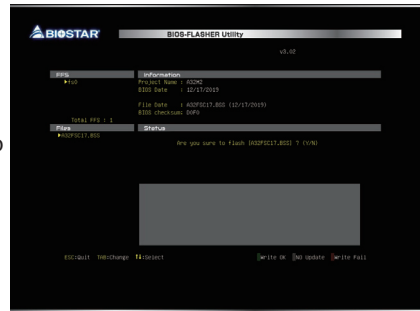
Обновление BIOS с помощью BIOSTAR BIOS Flasher

1. Перейдите на веб-сайт, чтобы загрузить новейший файл BIOS для материнской платы.
2. Затем скопируйте и сохраните файл BIOS на флэш-накопитель USB (поддерживается только формат FAT/FAT32).
3. Вставьте USB-накопитель, содержащий файл BIOS, в USB-порт.
4. Включите или перезагрузите компьютер, а затем нажмите <F12> во время процесса POST.

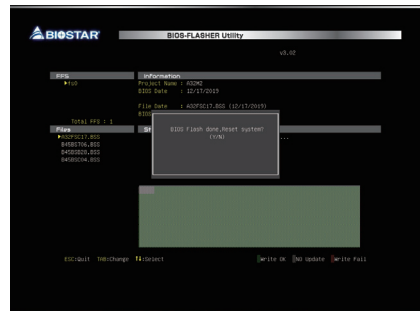
5. После входа в экран POST появляется утилита BIOS-FLASHER. Выберите <fs0> для поиска файла BIOS.



6. Выберите соответствующий файл BIOS, и появится сообщение с вопросом, действительно ли вы хотите перепрограммировать файл BIOS. Нажмите «Да», чтобы начать обновление BIOS.



7. После завершения перепрограммирования BIOS появляется диалоговое окно с просьбой перезапустить систему. Нажмите кнопку <Y>, чтобы перезапустить систему.



8. Пока система загружается и отображается полноэкранный логотип, нажмите клавишу , чтобы войти внастройки BIOS. После входа в настройки BIOS перейдите в <Save & Exit> (Сохранить и выйти), используя функцию <Restore Defaults> (Восстановить настройки по умолчанию), чтобы загрузить оптимизированные настройки по умолчанию, и выберите <Save Changes and Reset> (Сохранить изменения и сбросить), чтобы перезапустить компьютер. На этом обновление BIOS завершено.

Утилита BIOS Update (через Интернет)

1. Установите утилиту BIOS Update с DVD-диска.
2. Перед использованием этой функции убедитесь, что система подключена к Интернету.

3. Запустите утилиту BIOS Update и нажмите кнопку «Online Update» (Онлайн-обновление) на главном экране



4. Откроется диалоговое окно с запросом вашего согласия на запуск BIOS Update. Нажмите «Да», чтобы начать процедуру онлайн-обновления.

5. Если есть новая версия BIOS, утилита предложит вам загрузить ее. Нажмите «Да», чтобы продолжить.

6. После завершения загрузки вас спросят, запрограммировать (обновить) BIOS или нет. Нажмите «Да», чтобы продолжить.

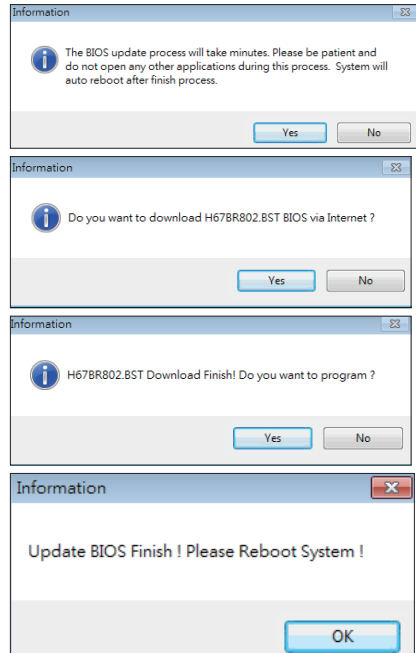
7. После завершения процесса обновления вам будет предложено перезагрузить систему. Нажмите «ОК» для перезагрузки.

8. Пока система загружается и отображается полноэкранный логотип, нажмите клавишу , чтобы войти внастройки BIOS. После входа в настройки BIOS перейдите в <Save & Exit> (Сохранить и выйти), используя функцию <Restore Defaults> (Восстановить настройки по умолчанию), чтобы загрузить оптимизированные настройки по умолчанию, и выберите <Save Changes> (Сохранить изменения) и <Reset> (Сбросить), чтобы перезапустить компьютер. На этом обновление BIOS завершено.

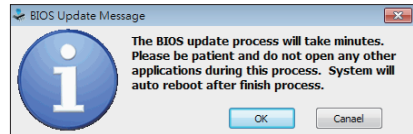
Утилита BIOS Update (через файл BIOS)

1. Установите утилиту BIOS Update с DVD-диска.
2. Загрузите правильную BIOS с веб-сайта <http://www.biostar.com.tw/>

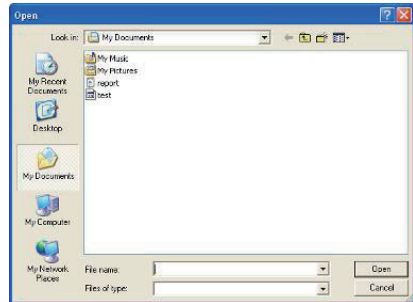
3. Запустите утилиту BIOS Update и нажмите кнопку «Update BIOS» (Обновить BIOS) на главном экране.



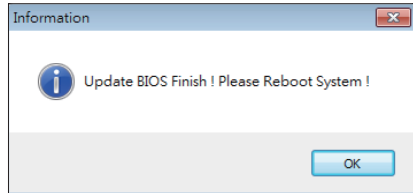
4. Появится предупреждающее сообщение с запросом вашего согласия на запуск BIOS Update. Нажмите «OK», чтобы начать процедуру обновления.



5. Выберите местоположение вашего файла BIOS в системе. Выберите нужный файл BIOS и нажмите «Open» (Открыть). Это займет несколько минут, проявите терпение.



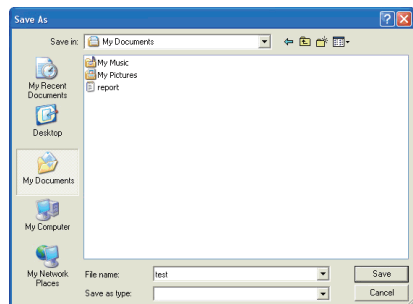
6. После завершения процесса BIOS Update нажмите «OK», чтобы перезагрузить систему.



7. Пока система загружается и отображается полноэкранный логотип, нажмите клавишу , чтобы войти в настройки BIOS. После входа в настройки BIOS перейдите в <Save & Exit> (Сохранить и выйти), используя функцию <Restore Defaults> (Восстановить настройки по умолчанию), чтобы загрузить оптимизированные настройки по умолчанию, и выберите <Save Changes and Reset> (Сохранить изменения и сбросить), чтобы перезапустить компьютер. На этом обновление BIOS завершено.

Резервное копирование BIOS

Нажмите кнопку «Backup BIOS» (Резервное копирование BIOS) на главном экране для резервного копирования BIOS и выберите нужное местоположение для файла резервной копии BIOS в системе и нажмите «Save» (Сохранить).



3.3 Программное обеспечение

Установка программного обеспечения

1. Вставьте установочный DVD-диск в оптический привод. Появится программа установки драйвера, если включена функция автозапуска.
2. Выберите установку программного обеспечения, а затем щелкните название соответствующего программного обеспечения.
3. Следуйте инструкциям на экране, чтобы завершить установку.

Запуск программного обеспечения

После завершения процесса установки вы увидите значок программного обеспечения на рабочем столе. Дважды щелкните значок, чтобы запустить его.

Примечание

- » Все сведения и содержимое, относящиеся к следующему программному обеспечению, могут быть изменены без предварительного уведомления. Для повышения производительности программное обеспечение постоянно обновляется.
- » Информация и изображения, описанные далее, предназначены только для справки. Фактическая информация и настройки на плате могут немного отличаться от приведенных в настоящем руководстве.

Утилита BIOScreen

Эта утилита позволяет легко персонализировать загрузочный логотип. Вы можете выбрать BMP в качестве загрузочного логотипа, чтобы индивидуализировать свой компьютер.



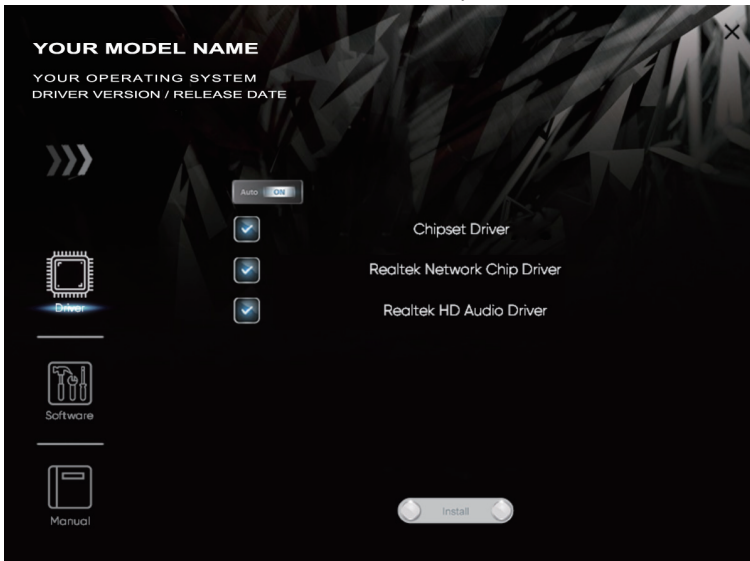
Выполните следующие пошаговые инструкции, чтобы обновить загрузочный логотип:

- Загрузите изображение: Выберите изображение в качестве загрузочного логотипа.
- Преобразуйте: Преобразуйте изображение для BIOS и посмотрите результат.
- Обновите BIOS: Запишите изображение в память BIOS, чтобы завершить обновление.

Глава 4: Полезная помощь

4.1 Установка драйвера

После установки операционной системы вставьте полный установочный DVD-диск в оптический привод и установите драйвер для повышения производительности системы. После того, как вы вставите DVD-диск, появится следующее окно.



Руководство по установке автоматически определит вашу материнскую плату и операционную систему.

A. Driver (Драйвер)

Чтобы установить драйвер, щелкните значок драйвера. В руководстве по установке будут перечислены совместимые драйверы для вашей материнской платы и операционной системы. Щелкните каждый драйвер устройства, чтобы запустить программу установки.

B. Software (Программное обеспечение)

Чтобы установить программное обеспечение, щелкните значок программного обеспечения. В руководстве по установке будет перечислено программное обеспечение, доступное для вашей системы, щелкните название каждого программного обеспечения, чтобы запустить программу установки.

C. Manual (Руководство)

Помимо руководства в бумажной форме, мы также предоставляем руководство на DVD-диске. Щелкните значок «Руководство», чтобы просмотреть имеющееся руководство.

Примечание

- » Если это окно не появилось после того, как вы вставили DVD-диск, воспользуйтесь браузером файлов, чтобы найти и запустить файл SETUP.EXE на оптическом приводе.
- » Вам понадобится Acrobat Reader, чтобы открыть файл руководства. Загрузите последнюю версию программы Acrobat Reader с <http://get.adobe.com/reader/>
- » Материнская плата, показанная на рисунках, может отличаться от реальной платы. эти рисунки предназначены только для справки.

4.2 Звуковой код BIOS AMI

Звуковые коды загрузочного блока

Количество	Описание
Непрерывно	Ошибка определения размера памяти или модуль памяти не найден

Звуковые POST-коды BIOS

Количество	Описание
1	Успешная загрузка.
8	Ошибка памяти дисплея (системный видеоадаптер)

4.3 POST-код BIOS AMI

Код	Описание
10	Запущено PEI Core
11	Запущена инициализация ЦП с предварительной памятью
15	Запущена инициализация северного моста с предварительной памятью
19	Запущена инициализация южного моста с предварительной памятью
2В	Инициализация памяти. Чтение данных Serial Presence Detect (SPD)
2С	Инициализация памяти. Обнаружение наличия памяти
2D	Инициализация памяти. Программирование информации о времени памяти
2E	Инициализация памяти. Настройка памяти
2F	Инициализация памяти (другое).
31	Установлена память
32	Запущена инициализация памяти POST ЦП
33	Инициализация памяти POST ЦП. Инициализация кэша
34	Инициализация памяти POST ЦП. Инициализация прикладного процессора(ов) (AP)
35	Инициализация памяти POST ЦП. Выбор загрузочного процессора (BSP)
36	Инициализация памяти POST ЦП. Инициализация режима управления системой
37	Запущена инициализация северного моста памяти POST
3В	Инициализация северного моста памяти POST (зависит от модуля северного моста)
4F	Запущено DXE IPL
60	Запущено DXE Core
F0	Состояние восстановления, инициированное прошивкой (автоматическое восстановление)
F1	Состояние восстановления, инициированное пользователем (принудительное восстановление)
F2	Запущен процесс восстановления
F3	Найден образ прошивки восстановления
F4	Загружен образ прошивки восстановления
E0	Запущено S3 Resume (S3 Resume PPI вызывается DXE IPL)
E1	Выполнение сценария загрузки S3
E2	Репост видео
E3	Векторный вызов пробуждения OS S3
60	Запущено DXE Core
61	Инициализация NVRAM
62	Установка служб среды выполнения южного моста
63	Запущена инициализация DXE ЦП
68	Инициализация хост-моста PCI

Код	Описание
69	Запущена инициализация DXE северного моста
6A	Запущена инициализация DXE SMM северного моста
70	Инициализация устройств южного моста
71	Запущена инициализация DXE SMM южного моста
72	Инициализация устройств южного моста
78	Инициализация DXE южного моста (зависит от модуля южного моста)
79	Инициализация модуля ACPI
90	Запущен этап выбора загрузочного устройства (BDS)
91	Запущено подключение драйвера
92	Запущена инициализация шины PCI
93	Инициализация контроллера горячего подключения шины PCI
94	Перечисление шины PCI
95	Ресурсы запроса шины PCI
96	Ресурсы назначения шины PCI
97	Подключаются консольные устройства вывода
98	Подключаются консольные устройства ввода
99	Инициализация Super IO
9A	Запущена инициализация USB
9B	Сброс USB
9C	Обнаружение USB
9D	Включение USB
A0	Запущена инициализация IDE
A1	Сброс IDE
A2	Обнаружение IDE
A3	Включение IDE
A4	Запущена инициализация SCSI
A5	Сброс SCSI
A6	Обнаружение SCSI
A7	Включение SCSI
A8	Настройка проверки пароля
A9	Начало настройки
AB	Ожидание настройки ввода
AD	Событие готовности к загрузке
AE	Событие устаревшей загрузки
AF	Событие выхода из служб загрузки
B0	Установка виртуального адреса в среде выполнения, начало MAP
B1	Установка виртуального адреса в среде выполнения, окончание MAP
B2	Инициализация устаревшего опционального ПЗУ
B3	Сброс системы
B4	Горячее подключение USB
B5	Горячее подключение шины PCI
B6	Очистка NVRAM
B7	Сброс конфигурации (сброс настроек NVRAM)

4.4 Поиск и устранение неисправностей

Неисправность	Решение
1. В системе отсутствует питание. Светодиод питания не светится; вентилятор блока питания не работает 2. Индикатор на клавиатуре не светится.	1. Убедитесь, что кабель питания надежно подключен. 2. Замените кабель. 3. Обратитесь в службу технической поддержки.
Система не работает. Индикаторы клавиатуры светятся, индикаторы питания светятся, и жесткие диски работают.	Равномерно нажимая на оба конца модуля DIMM, прижмите его, чтобы он встал на место.
Система не загружается с жесткого диска, но может загрузиться с оптического привода.	1. Проверьте кабель, идущий от диска к плате контроллера диска. Убедитесь, что оба конца надежно вставлены; проверьте тип привода в стандартной настройке CMOS. 2. Резервное копирование жесткого диска чрезвычайно важно. Все жесткие диски могут выйти из строя в любой момент.
Система загружается только с оптического привода. Жесткие диски можно читать, приложения можно использовать, но система не загружается с жесткого диска.	1. Выполните резервное копирование файлов данных и приложений. 2. Переформатируйте жесткий диск. Переустановите приложения и данные с резервных дисков.
На экране отображается сообщение «Недопустимая конфигурация» или «Ошибка CMOS».	Осмотрите оборудование системы. Убедитесь, что в настройках введена правильная информация.
Система не может загрузиться после того, как пользователь установит второй жесткий диск.	1. Правильно установите перемычки главного/подчиненного устройства. 2. Запустите программу SETUP и выберите правильные типы дисков. Обратитесь к производителям дисков для уточнения совместимости с другими дисками.

Перегрев ЦП

Если система автоматически выключается в течение нескольких секунд после включения, это означает, что активирована функция защиты ЦП.

Когда ЦП перегревается, материнская плата автоматически отключается во избежание повреждения ЦП, и система не может включиться снова.

В этом случае дважды убедитесь, что:

1. Поверхность кулера ЦП расположено ровно по отношению к поверхности ЦП.
2. Вентилятор ЦП вращается нормально.
3. Частота вращения вентилятора ЦП соответствует частоте ЦП.

После подтверждения выполните следующие действия, чтобы снять функцию защиты ЦП.

1. Отсоедините шнур питания от источника питания на несколько секунд.
2. Подождите несколько секунд.
3. Подключите шнур питания и загрузите систему.

Или вы можете:

1. Очистить данные CMOS. (См. раздел «Замыкание штыревого соединителя CMOS: JCMOS1»)
2. Подождите несколько секунд.
3. Снова включить систему.