

Hair iron

User's manual

EN



SENCOR[®]

SHI 110BK

Translation of the original manual

Prior to using this appliance, please read the user's manual thoroughly, even in cases, when one has already familiarised themselves with previous use of similar types of appliances. Only use the appliance in the manner described in this user's manual. Keep the user's manual in a safe place where it can be easily retrieved for future use.

Save the original shipping box, packaging material, purchase receipt and warranty card for the duration of the warranty. In the event of shipping, pack the appliance using the original packaging materials only.

CONTENTS

IMPORTANT SAFETY INSTRUCTIONS.....	3
DESCRIPTION.....	7
INTRODUCTION.....	8
WHAT IS TOURMALINE?.....	8
WHY ARE THE NEGATIVE IONS SO IMPORTANT?.....	8
INSTRUCTIONS FOR USE.....	8
CLEANING AND MAINTENANCE.....	9
TECHNICAL SPECIFICATIONS.....	9
INSTRUCTIONS AND INFORMATION REGARDING THE DISPOSAL OF USED PACKAGING MATERIALS.....	10
DISPOSAL OF USED ELECTRICAL AND ELECTRONIC APPLIANCES.....	10

IMPORTANT SAFETY INSTRUCTIONS

- This appliance may be used by children 8 years of age and older and by persons with physical or mental impairments or by inexperienced persons, if they are properly supervised or have been informed about how to use the product in a safe manner and understand the potential dangers.
- Children must not play with the appliance.
- Cleaning and maintenance performed by the user must not be performed by unsupervised children.
- In the event that the power cord is damaged, have it repaired at a professional service centre to prevent causing a dangerous situation. It is forbidden to use the appliance if it has a damaged power cord.

**Warning:**

Do not use this appliance in the vicinity of water.

**Warning:**

Do not use this appliance near baths, showers, washbasins or other containers containing water.

- In the event that you use the appliance in the bathroom, unplug it from the socket after use by removing the plug from the socket, as the vicinity of water poses a danger, even when the appliance is turned off.
- To ensure additional safety, it is recommended to install an Residual Current Device (RCD) into the electric circuit to the bathroom with a maximum current rating of 30 mA. Ask an electrician for advice.
- We recommend saving the original shipping cardboard box, packaging material, receipt and warranty card for the duration of warranty. In the case of transportation, pack the product using the original packaging materials only.
- Before connecting this product to the socket outlet, make sure the voltage stated on the label of the product corresponds to the voltage in your wall socket.
- Never use accessories, which have not been supplied with this product or which are not designed for this product.
- Do not place the power cord near hot places or sharp objects. Do not place heavy objects on the power cord. Position the cord so that it will not be

stepped on or tripped over. Make sure the power cord is not touching a hot surface.

- Do not disconnect the power cord from the wall outlet by pulling the cord.
- In no case should you attempt to repair the unit yourself, do not make any amendments to it danger of electric shock! Entrust all repairs and adjustments to a specialised company/service. Failure to do so will expose you to a danger of voiding the warranty policy.
- Never use the product if you have wet hands or feet.
- Only store and use the product away from flammable or volatile materials and solutions.
- This product is designed for indoor use, do not use outdoors.
- Do not use the product for purposes other than those intended.
- Do not spray the product with water or any other liquid. Do not pour water or any other liquids onto the product. Do not submerge the product in water or in any other liquid.
- Make sure the product will not come in contact with water. Never use the product near a bathtub, wash basin or any other containers filled with water.

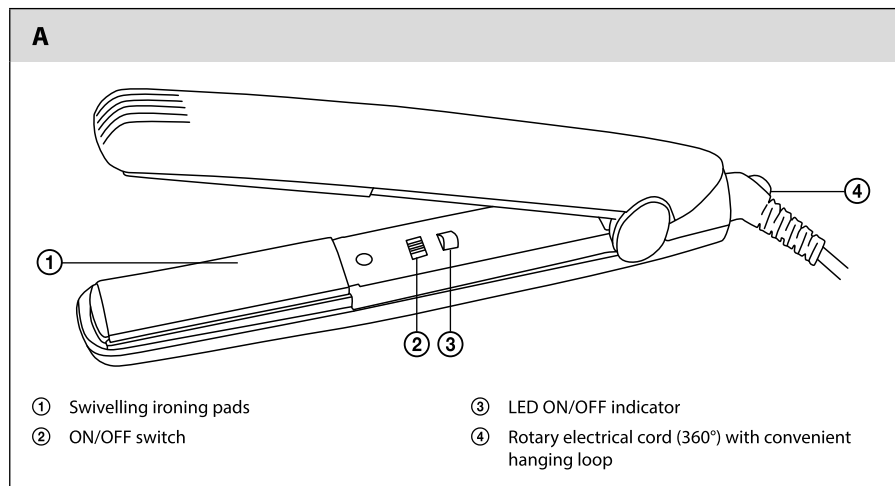
- If you are not using the product, or if you know that you will not be using it soon, turn it off and disconnect the power cord from the wall socket. Prior to cleaning, proceed in the same manner.
- Never leave the product switched on without supervision.
- Before storing always allow the product to fully cool down.
- If the product is operating or has not fully cooled down, do not place it on soft underlays (e.g. carpets, bed linen, towels, etc.) and never cover it.
- Do not use the product in an environment with excessive dust.
- Use extra care if the product is used near children. Always keep the product out of the reach of children.
- Prevent the product from coming into contact with skin.
- Never use the iron on synthetic hair or on animal fur.
- Thoroughly clean dust, fats and hairdressing agents (e.g. gels, mousse, sprays, etc.) from the flattening plates after each use – these lower the performance and lifetime of the plates.

Hair iron

SHI 110BK

EN

DESCRIPTION



INTRODUCTION

The pads for your hair iron are made of a special combination of ceramics and tourmaline. Tourmaline pads send infrared radiation through the hair which causes quick heating and ionisation. This enables you to perform quick and healthier hair styling.

WHAT IS TOURMALINE?

Tourmaline is a rare mineral with unique ionisation and infrared properties. Tourmaline together with the ceramics are coated on the surface of the ironing pads in a form of an extra fine powder. Thermal finishing gives the surface its typical and hard surface. Tourmaline radiates negative ions and infrared heat naturally. When heated, it creates an electrical field of negative ions. The secret lies in evenly spread tourmaline on the surface of ceramic ironing pads. When heated, the majority of negative ions and infrared heat is naturally released and spread around the ceramic pads.

Why are the negative ions so important?

Negative ions near the surface create a smooth, velvety hair surface and maintain natural moisture. They protect the colour and shine of the hair while guarding against humidity. Negatively charged ions also eliminate static electricity from the hair surface and the hair remains stable, silky and free of waves and curls.

Why is infrared heat so important?

Infrared heat penetrates inside the hair and warms it up evenly. It is a different type of heat from that which heats up the surrounding air. Infrared radiation penetrates deep inside the hair, instead of the surrounding air which makes the hair more elastic, soft and easier to manage. Less heat is concentrated on the hair surface which lowers the amount of damage to the hair. At the same time, the hair moisture is maintained.

INSTRUCTIONS FOR USE

Connection and setting

- 1) Plug the hair iron in.
- 2) Turn it on by pressing the ON/OFF switch.
- 3) Now you can start ironing your hair.

Hair ironing

- 1) First, wash, dry and comb your hair thoroughly. Make sure that it is smooth and free of snarls.
- 2) Now, use the hair clips to separate your hair into even hair strips (about 5 cm wide).
- 3) Start ironing your hair at the back of your head on the lower strips. Near the roots, place the strip between the ironing pads and carefully press on the iron handle. Slide the iron from the hair roots along the strip all the way to the end.
- 4) Repeat the procedure on the strip until you achieve the desired look.
- 5) Repeat the procedure with all hair strips. Start on the front of your head and then continue on the sides.
- 6) Before the final combing, let your hair cool completely.



Warning:

Do not leave the iron in one spot for more than 2 seconds. You may burn your hair.
Use the iron only on healthy hair.
Do not use the iron on oily, sticky or sweaty hair.
Use the iron only rarely on permed or coloured hair.



Tip:

Adapt the speed of the iron along the hair strips to the texture of the hair. Fine hair is more sensitive to the hot surface and requires shorter ironing times than thicker hair.

CLEANING AND MAINTENANCE

To clean the outer parts of the iron and the ironing pads, use a soft cloth dipped in lukewarm water. Do not use aggressive cleaning agents, paint thinners or solvents. Using these solutions could damage the surface of the iron. The ceramic and tourmaline surface of the ironing pads does not require any cleaning.



Warning:

Clean the ironing pads only after they have fully cooled!

Store the assembled rice cooker in a dry, clean place that is out of reach of children.

TECHNICAL SPECIFICATIONS

Rated voltage.....	230 V AC
Nominal frequency.....	50 Hz
Protection class (regarding protection from electric shock).....	II
Time required to reach the operational temperature.....	20 seconds
Power cord joint.....	360°

We reserve the right to change the text and technical specifications.

INSTRUCTIONS AND INFORMATION REGARDING THE DISPOSAL OF USED PACKAGING MATERIALS

Dispose of packaging material at a public waste disposal site.

DISPOSAL OF USED ELECTRICAL AND ELECTRONIC APPLIANCES



The meaning of the symbol on the product, its accessory or packaging indicates that this product shall not be treated as household waste. Please, dispose of this product at your applicable collection point for the recycling of electrical & electronic equipment waste. Alternatively in some states of the European Union or other European states you may return your products to your local retailer when buying an equivalent new product. The correct disposal of this product will help save valuable natural resources and help in preventing the potential negative impact on the environment and human health, which could be caused as a result of improper liquidation of waste. Please ask your local authorities or the nearest waste collection centre for further details. The improper disposal of this type of waste may fall subject to national regulations for fines.

For business entities in the European Union

If you wish to dispose of an electrical or electronic device, request the necessary information from your seller or supplier.

Disposal in other countries outside the European Union

If you wish to dispose of this product, request the necessary information about the correct disposal method from local government departments or from your seller.



This product meets all the basic EU regulation requirements that relate to it.