

Robert Bosch Power Tools GmbH
70538 Stuttgart
GERMANY

www.bosch-pt.com

1 609 92A 23R (2013.01) 0 / 49 ASIA



1 609 92A 23R

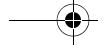
GDR | GDS | GDX Professional

14,4 V-Li | 18 V-Li

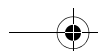
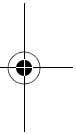
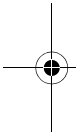


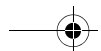
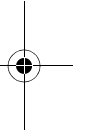
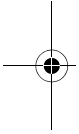
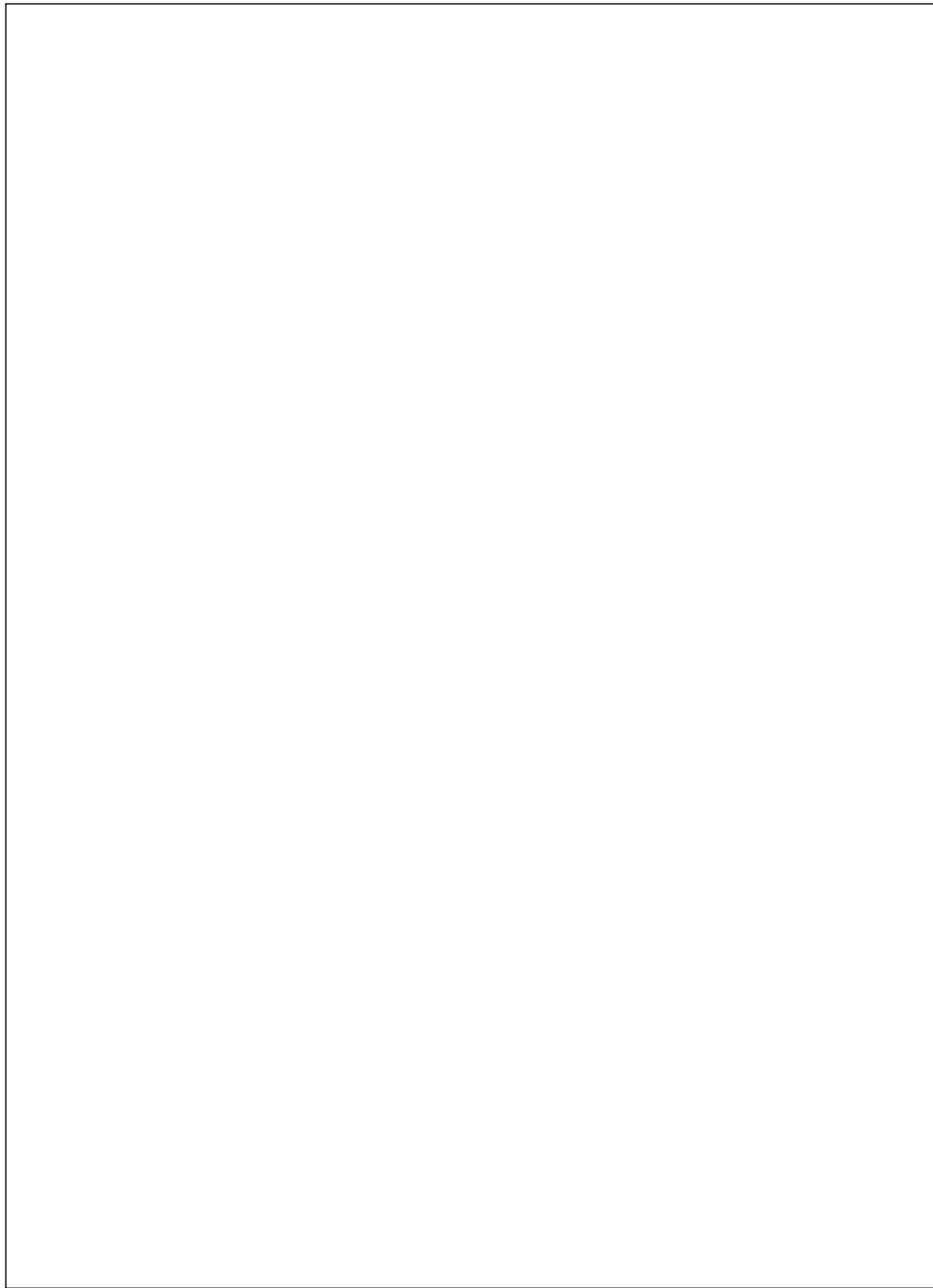
- en** Original instructions
- cn** 正本使用说明书
- tw** 原始使用說明書
- ko** 사용 설명서 원본
- th** หนังสือคู่มือการใช้งานฉบับต้นแบบ
- id** Petunjuk-Petunjuk untuk Penggunaan Orisinal
- vi** Bản gốc hướng dẫn sử dụng

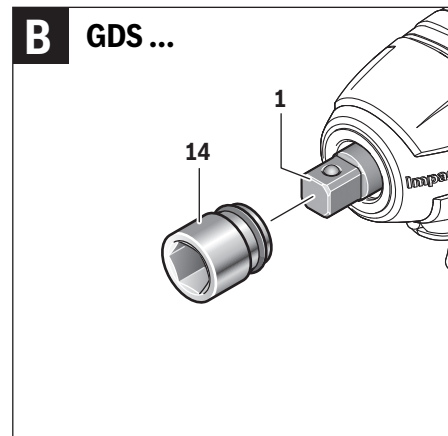
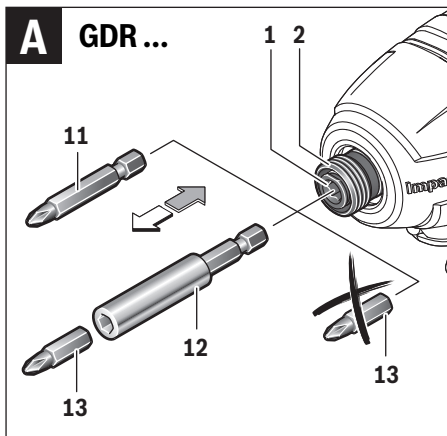
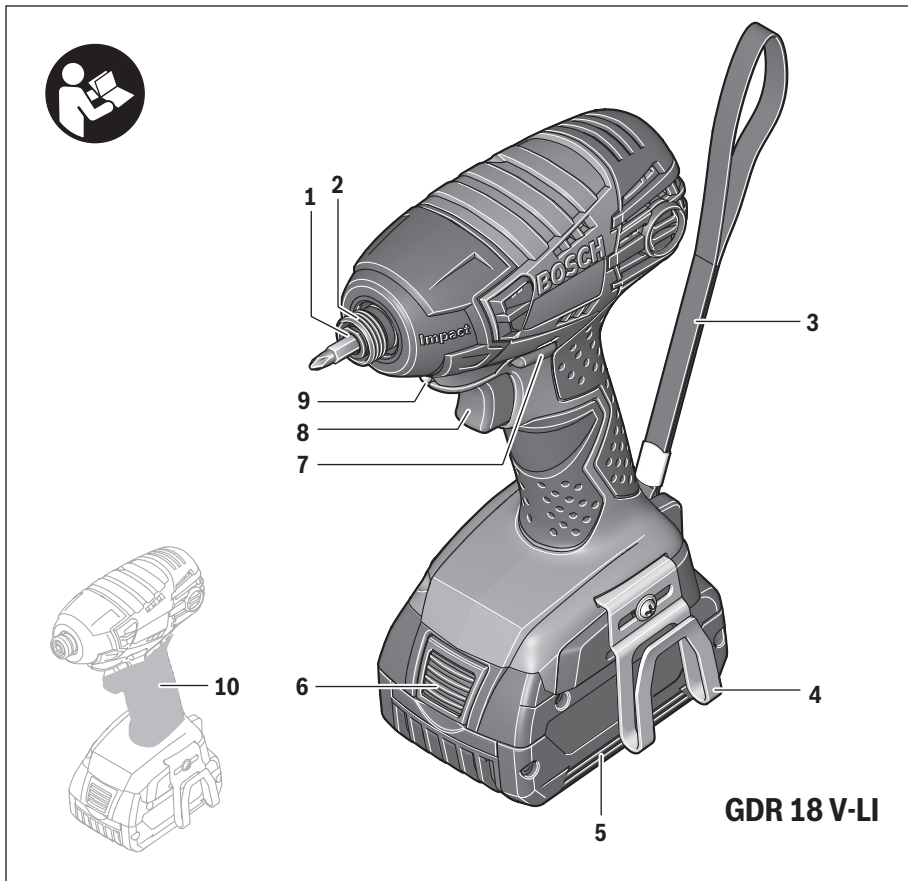


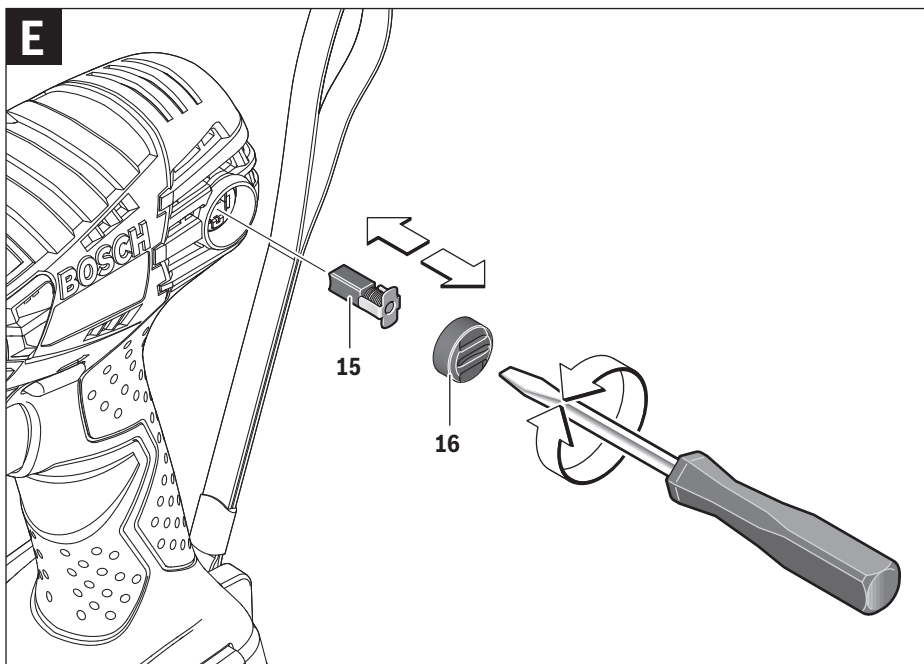
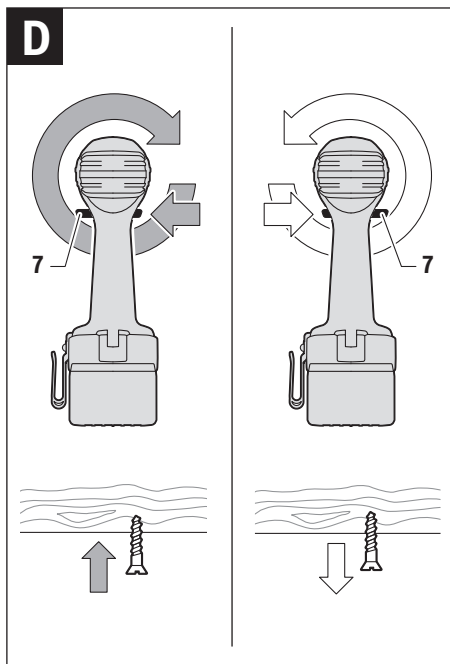
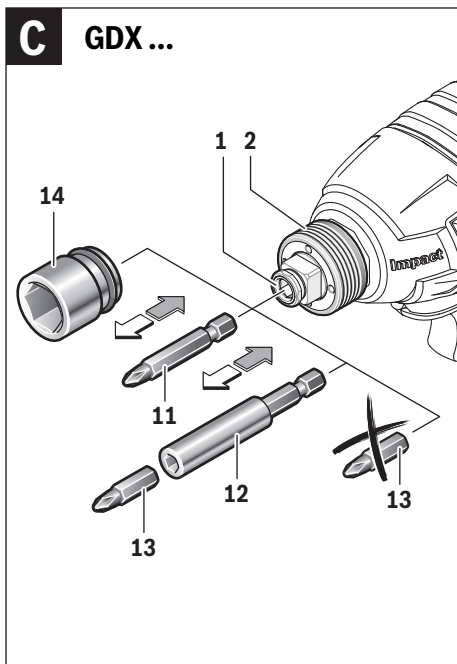


English Page 6
 中文 页 12
 中文 頁 17
 한국어 면 22
 ภาษาไทย..... หน้า 28
 Bahasa Indonesia Halaman 34
 Tiếng Việt Trang 40









English

Safety Notes

General Power Tool Safety Warnings

⚠ WARNING Read all safety warnings and all instructions. Failure to follow the warnings and instructions may result in electric shock, fire and/or serious injury.

Save all warnings and instructions for future reference.

The term "power tool" in the warnings refers to your mains-operated (corded) power tool or battery-operated (cordless) power tool.

Work area safety

- ▶ **Keep work area clean and well lit.** Cluttered or dark areas invite accidents.
- ▶ **Do not operate power tools in explosive atmospheres, such as in the presence of flammable liquids, gases or dust.** Power tools create sparks which may ignite the dust or fumes.
- ▶ **Keep children and bystanders away while operating a power tool.** Distractions can cause you to lose control.

Electrical safety

- ▶ **Power tool plugs must match the outlet. Never modify the plug in any way. Do not use any adapter plugs with earthed (grounded) power tools.** Unmodified plugs and matching outlets will reduce risk of electric shock.
- ▶ **Avoid body contact with earthed or grounded surfaces, such as pipes, radiators, ranges and refrigerators.** There is an increased risk of electric shock if your body is earthed or grounded.
- ▶ **Do not expose power tools to rain or wet conditions.** Water entering a power tool will increase the risk of electric shock.
- ▶ **Do not abuse the cord. Never use the cord for carrying, pulling or unplugging the power tool. Keep cord away from heat, oil, sharp edges and moving parts.** Damaged or entangled cords increase the risk of electric shock.
- ▶ **When operating a power tool outdoors, use an extension cord suitable for outdoor use.** Use of a cord suitable for outdoor use reduces the risk of electric shock.
- ▶ **If operating a power tool in a damp location is unavoidable, use a residual current device (RCD) protected supply.** Use of an RCD reduces the risk of electric shock.

Personal safety

- ▶ **Stay alert, watch what you are doing and use common sense when operating a power tool. Do not use a power tool while you are tired or under the influence of drugs, alcohol or medication.** A moment of inattention while operating power tools may result in serious personal injury.
- ▶ **Use personal protective equipment. Always wear eye protection.** Protective equipment such as dust mask, non-skid safety shoes, hard hat, or hearing protection used for appropriate conditions will reduce personal injuries.

- ▶ **Prevent unintentional starting. Ensure the switch is in the off-position before connecting to power source and/or battery pack, picking up or carrying the tool.** Carrying power tools with your finger on the switch or energising power tools that have the switch on invites accidents.
- ▶ **Remove any adjusting key or wrench before turning the power tool on.** A wrench or a key left attached to a rotating part of the power tool may result in personal injury.
- ▶ **Do not overreach. Keep proper footing and balance at all times.** This enables better control of the power tool in unexpected situations.
- ▶ **Dress properly. Do not wear loose clothing or jewellery. Keep your hair, clothing and gloves away from moving parts.** Loose clothes, jewellery or long hair can be caught in moving parts.
- ▶ **If devices are provided for the connection of dust extraction and collection facilities, ensure these are connected and properly used.** Use of dust collection can reduce dust-related hazards.

Power tool use and care

- ▶ **Do not force the power tool. Use the correct power tool for your application.** The correct power tool will do the job better and safer at the rate for which it was designed.
- ▶ **Do not use the power tool if the switch does not turn it on and off.** Any power tool that cannot be controlled with the switch is dangerous and must be repaired.
- ▶ **Disconnect the plug from the power source and/or the battery pack from the power tool before making any adjustments, changing accessories, or storing power tools.** Such preventive safety measures reduce the risk of starting the power tool accidentally.
- ▶ **Store idle power tools out of the reach of children and do not allow persons unfamiliar with the power tool or these instructions to operate the power tool.** Power tools are dangerous in the hands of untrained users.
- ▶ **Maintain power tools. Check for misalignment or binding of moving parts, breakage of parts and any other condition that may affect the power tool's operation. If damaged, have the power tool repaired before use.** Many accidents are caused by poorly maintained power tools.
- ▶ **Keep cutting tools sharp and clean.** Properly maintained cutting tools with sharp cutting edges are less likely to bind and are easier to control.
- ▶ **Use the power tool, accessories and tool bits etc. in accordance with these instructions, taking into account the working conditions and the work to be performed.** Use of the power tool for operations different from those intended could result in a hazardous situation.

Battery tool use and care


- ▶ **Recharge only with the charger specified by the manufacturer.** A charger that is suitable for one type of battery pack may create a risk of fire when used with another battery pack.
- ▶ **Use power tools only with specifically designated battery packs.** Use of any other battery packs may create a risk of injury and fire.

- ▶ **When battery pack is not in use, keep it away from other metal objects, like paper clips, coins, keys, nails, screws or other small metal objects, that can make a connection from one terminal to another.** Shorting the battery terminals together may cause burns or a fire.
- ▶ **Under abusive conditions, liquid may be ejected from the battery; avoid contact. If contact accidentally occurs, flush with water. If liquid contacts eyes, additionally seek medical help.** Liquid ejected from the battery may cause irritation or burns.

Service

- ▶ **Have your power tool serviced by a qualified repair person using only identical replacement parts.** This will ensure that the safety of the power tool is maintained.

Safety Warnings for Impact Wrenches

- ▶ **Hold power tool by insulated gripping surfaces, when performing an operation where the fastener may contact hidden wiring.** Fasteners contacting a "live" wire may make exposed metal parts of the power tool "live" and could give the operator an electric shock.
 - ▶ **Secure the workpiece.** A workpiece clamped with clamping devices or in a vice is held more secure than by hand.
 - ▶ **Always wait until the machine has come to a complete stop before placing it down.** The tool insert can jam and lead to loss of control over the power tool.
 - ▶ **Do not open the battery.** Danger of short-circuiting.
-  **Protect the battery against heat, e. g., against continuous intense sunlight, fire, water, and moisture.** Danger of explosion.
- ▶ **In case of damage and improper use of the battery, vapours may be emitted. Ventilate the area and seek medical help in case of complaints.** The vapours can irritate the respiratory system.
 - ▶ **Use the battery only in conjunction with your Bosch power tool.** This measure alone protects the battery against dangerous overload.
 - ▶ **Use only original Bosch batteries with the voltage listed on the nameplate of your power tool.** When using other batteries, e. g. imitations, reconditioned batteries or other brands, there is danger of injury as well as property damage through exploding batteries.

Product Description and Specifications



Read all safety warnings and all instructions. Failure to follow the warnings and instructions may result in electric shock, fire and/or serious injury.

Intended Use

The machine is intended for driving in and loosening screws and bolts as well as for tightening and loosening nuts within the respective range of dimension.

Product Features

The numbering of the product features refers to the illustration of the machine on the graphics page.

- 1 Tool holder
- 2 Locking sleeve
- 3 Carrying strap
- 4 Belt clip*
- 5 Battery pack*
- 6 Battery unlocking button*
- 7 Rotational direction switch
- 8 On/Off switch
- 9 "PowerLight"
- 10 Handle (insulated gripping surface)
- 11 Screwdriver bit with ball catch*
- 12 Universal bit holder*
- 13 Screwdriver bit*
- 14 Application tool (e. g. an impact socket)*
- 15 Carbon brushes
- 16 Cover lid

*Accessories shown or described are not part of the standard delivery scope of the product. A complete overview of accessories can be found in our accessories program.

Technical Data

Cordless Impact Screwdriver		GDR 14,4 V-LI	GDR 18 V-LI
Article number		3 601 JA1 4..	3 601 JA1 3..
Rated voltage	V=	14.4	18
No-load speed	min ⁻¹	0 – 2800	0 – 2800
Impact rate	min ⁻¹	0 – 3200	0 – 3200
Maximum torque, hard screwdriving application according to ISO 5393	Nm	150*	160*
Bolt size	mm	M6 – M14	M6 – M14
Tool holder		¼" hexagon socket	¼" hexagon socket
Weight according to EPTA-Procedure 01:2014	kg	1.4 - 1.7*	1.5 - 1.9*

8 | English

Cordless Impact Screwdriver		GDS 14,4 V-Li	GDS 18 V-Li
Article number		3 601 JA1 T..	3 601 JA1 S..
Rated voltage	V=	14.4	18
No-load speed	min ⁻¹	0 – 2800	0 – 2800
Impact rate	min ⁻¹	0 – 3200	0 – 3200
Maximum torque, hard screwdriving application according to ISO 5393	Nm	170*	180*
Bolt size	mm	M6 – M16	M6 – M16
Tool holder		■ ½"	■ ½"
Weight according to EPTA-Procedure 01:2014	kg	1.4 - 1.7*	1.5 - 1.9*

Cordless Impact Screwdriver		GDX 14,4 V-Li	GDX 18 V-Li
Article number		3 601 JB8 0..	3 601 JB8 1..
Rated voltage	V=	14.4	18
No-load speed	min ⁻¹	0 – 2800	0 – 2800
Impact rate	min ⁻¹	0 – 3200	0 – 3200
Maximum torque, hard screwdriving application according to ISO 5393			
– ¼" hexagon socket	Nm	150*	160*
– ■ ½"	Nm	170	180
Bolt size	mm	M6 – M16	M6 – M16
Tool holder		¼" hexagon socket / ■ ½"	¼" hexagon socket / ■ ½"
Weight according to EPTA-Procedure 01:2014	kg	1.5 - 1.7*	1.5 - 2.0*

*dependent of the battery pack being used

Assembly

Battery Charging

- ▶ **Use only the battery chargers listed on the accessories page.** Only these battery chargers are matched to the lithium ion battery of your power tool.

Note: The battery is supplied partially charged. To ensure full capacity of the battery, completely charge the battery in the battery charger before using your power tool for the first time. The Lithium-Ion battery can be charged at any time without reducing its service life. Interrupting the charging procedure does not damage the battery.

The Lithium-Ion battery is protected against deep discharging by the "Electronic Cell Protection (ECP)". When the battery is empty, the machine is switched off by means of a protective circuit: The inserted tool no longer rotates.

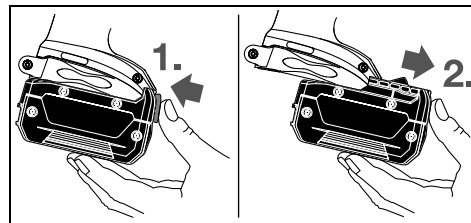
- ▶ **Do not continue to press the On/Off switch after the machine has been automatically switched off.** The battery can be damaged.

The battery is equipped with a NTC temperature control which allows charging only within a temperature range of between 0 °C and 45 °C. A long battery service life is achieved in this manner.

Observe the notes for disposal.

Removing the battery

The battery **5** is equipped with two locking levels that should prevent the battery from falling out when pushing the battery unlocking button **6** unintentionally. As long as the battery is inserted in the power tool, it is held in position by means of a spring.



To remove the battery **5**, press the unlocking button **6** and pull out the battery toward the front. **Do not exert any force.**

Changing the Tool (see figure A–C)

- ▶ **Before any work on the machine itself (e. g. maintenance, tool change, etc.) as well as during transport and storage, remove the battery from the power tool.**

There is danger of injury when unintentionally actuating the On/Off switch.

- ▶ **Regularly clean the power tool's air vents.** The motor's fan will draw the dust inside the housing and excessive accumulation of powdered metal may cause electrical hazards.

GDR 14,4 V-LI/GDR 18 V-LI/GDX 14,4 V-LI/GDX 18 V-LI: Inserting

Pull the locking sleeve **2** forward, push the insert tool to the stop into the tool holder **1** and release the locking sleeve **2** to lock the insert tool.

Use only screwdriver bits with ball catch **11** (DIN 3126-E6.3). Other screwdriver bits **13** can be used with a universal bit holder with ball catch **12**.

Removing

Pull the locking sleeve **2** forward and remove the insert tool.

GDS 14,4 V-LI/GDS 18 V-LI/GDX 14,4 V-LI/GDX 18 V-LI:

► **When working with an application tool, pay attention that the application tool is connected securely on the tool holder.** When the application tool is not securely connected with the tool holder, it can come off during application.

Slide the application tool **14** onto the square drive of the tool holder **1**.

However based on the system, if the application tool **14** appears wobbly after connecting securely on the tool holder **1**; this has no influence on the function/safety.

Operation

Method of Operation

The tool holder **1** with the tool is driven by an electric motor via a gear and impact mechanism.

The working procedure is divided into two phases:

Screwing in and tightening (impact mechanism in action).

The impact mechanism is activated as soon as the screwed connection runs tight and thus load is put on the motor. In this instance, the impact mechanism converts the power of the motor to steady rotary impacts. When loosening screws or nuts, the process is reversed.

Starting Operation

Inserting the battery

► **Use only original Bosch lithium ion batteries with the voltage listed on the nameplate of your power tool.**

Using other batteries can lead to injuries and pose a fire hazard.

Set the rotational direction switch **7** to the centre position to protect the power tool against accidental starting.

Insert the charged battery **5** from the front into the base of the power tool until the battery is securely locked.

Reversing the rotational direction (see figure D)

The rotational direction switch **7** is used to reverse the rotational direction of the machine. However, this is not possible with the On/Off switch **8** actuated.

Right rotation: For driving in screws and tightening nuts, press the rotational direction switch **7** through to the left stop.

Left Rotation: For loosening and unscrewing screws and nuts, press the rotational direction switch **7** through to the right stop.

Switching On and Off

To **start** the machine, press the On/Off switch **8** and keep it pressed.

The power light **9** lights up when the On/Off switch **8** is slightly or completely pressed, and allows the work area to be illuminated when lighting conditions are insufficient.

To **switch off** the machine, release the On/Off switch **8**.

Adjusting the Speed

The speed of the switched on power tool can be variably adjusted, depending on how far the On/Off switch **8** is pressed.

Light pressure on the On/Off switch **8** results in a low rotational speed. Further pressure on the switch results in an increase in speed.

Working Advice

► **Apply the power tool to the screw/nut only when it is switched off.** Rotating tool inserts can slip off.

The torque depends on the impact duration. The maximum achieved torque results from the sum of all individual torques achieved through impact. The maximum torque is achieved after an impact duration of 6 – 10 seconds. After this duration, the tightening torque is increased only minimally.

The impact duration is to be determined for each required tightening torque. The actually achieved tightening torque is always to be checked with a torque wrench.

Screw Applications with Hard, Spring-loaded or Soft Seat

When in a test, the achieved torques in an impact series are measured and transferred into a diagram, resulting in the curve of a torque characteristic. The height of the curve corresponds with the maximum reachable torque, and the steepness indicates the duration in which this is achieved.

A torque gradient depends on the following factors:

- Strength properties of the screws/nuts
- Type of backing (washer, disc spring, seal)
- Strength properties of the material being screwed/bolted together
- Lubrication conditions at the screw/bolt connection

The following application cases result accordingly:

- A **hard seat** is given for metal-to-metal screw applications with the use of washers. After a relatively short impact duration, the maximum torque is reached (steep characteristic curve). Unnecessary long impact duration only causes damage to the machine.
- A **spring-loaded seat** is given for metal-to-metal screw applications, however with the use of spring washers, disc springs, studs or screws/nuts with conical seat as well as when using extensions.
- A **soft seat** is given for screw applications, e. g., metal on wood or when using lead washers or fibre washers as backing.

For a spring-loaded seat as well as for a soft seat, the maximum tightening torque is lower than for a hard seat. Also, a clearly longer impact duration is required.

10 | English

Reference Values for Maximum Screw/Bolt Tightening Torques

Calculated from the tensional cross-section; utilization of the yield point 90 % (with friction coefficient $\mu_{\text{total}} = 0.12$). As a control measure, always check the tightening torque with a torque wrench.

Property Classes according to DIN 267	Standard Screws/Bolts							High-strength Bolts			
	3.6	4.6	5.6	4.8	6.6	5.8	6.8	6.9	8.8	10.9	12.9
M 6	2.71	3.61	4.52	4.8	5.42	6.02	7.22	8.13	9.7	13.6	16.2
M 8	6.57	8.7	11	11.6	13.1	14.6	17.5	19.7	23	33	39
M 10	13	17.5	22	23	26	29	35	39	47	65	78
M 12	22.6	30	37.6	40	45	50	60	67	80	113	135
M 14	36	48	60	65	72	79	95	107	130	180	215
M 16	55	73	92	98	110	122	147	165	196	275	330

Tips

Before screwing larger, longer screws into hard materials, it is advisable to predrill a pilot hole with the core diameter of the thread to approx. $\frac{2}{3}$ of the screw length.

Note: Pay attention that no metal particles enter the power tool.

Belt Clip

With the belt clip **4**, the machine can be hung onto a belt. The user has both hands free and the machine is always at hand.

Recommendations for Optimal Handling of the Battery

Protect the battery against moisture and water.

Store the battery only within a temperature range between 0 °C and 50 °C. As an example, do not leave the battery in the car in summer.

Occasionally clean the venting slots of the battery using a soft, clean and dry brush.

A significantly reduced working period after charging indicates that the battery is used and must be replaced.

Observe the notes for disposal.

Maintenance and Service**Maintenance and Cleaning**

► **Before any work on the machine itself (e. g. maintenance, tool change, etc.) as well as during transport and storage, remove the battery from the power tool.**

There is danger of injury when unintentionally actuating the On/Off switch.

► **For safe and proper working, always keep the machine and ventilation slots clean.**

Replacing the Carbon Brushes (see figure E)

Check the length of the carbon brushes approx. every 2 – 3 months and replace the carbon brushes if required.

Never replace only a single carbon brush!

Note: Use only carbon brushes supplied by Bosch and intended specifically for your product.

- Unscrew the caps **16** using a suitable screwdriver.
- Replace the spring-loaded carbon brushes **15** and screw the caps back on again.

If the machine should fail despite the care taken in manufacturing and testing procedures, repair should be carried out by an after-sales service centre for Bosch power tools.

In all correspondence and spare parts order, please always include the 10-digit article number given on the type plate of the machine.

After-sales Service and Application Service

Our after-sales service responds to your questions concerning maintenance and repair of your product as well as spare parts. Exploded views and information on spare parts can also be found under:

www.bosch-pt.com

Bosch's application service team will gladly answer questions concerning our products and their accessories.

People's Republic of China**China Mainland**

Bosch Power Tools (China) Co., Ltd.

567, Bin Kang Road
Bin Jiang District 310052
Hangzhou, P. R. China

Service Hotline: 4008268484

Fax: (0571) 87774502

E-Mail: contact.ptcn@cn.bosch.com

www.bosch-pt.com.cn

HK and Macau Special Administrative Regions

Robert Bosch Hong Kong Co. Ltd.

21st Floor, 625 King's Road

North Point, Hong Kong

Customer Service Hotline: +852 2101 0235

Fax: +852 2590 9762

E-Mail: info@hk.bosch.com

www.bosch-pt.com.hk

Indonesia

PT. Multi Mayaka

Kawasan Industri Pulogadung

Jalan Rawa Gelam III No. 2

Jakarta 13930

Indonesia

Tel.: (021) 46832522

Fax: (021) 46828645/6823

E-Mail: sales@multimayaka.co.id

www.bosch-pt.co.id

Philippines

Robert Bosch, Inc.
28th Floor Fort Legend Towers,
3rd Avenue corner 31st Street,
Fort Bonifacio Global City,
1634 Taguig City, Philippines
Tel.: (02) 8703871
Fax: (02) 8703870
matheus.contiero@ph.bosch.com
www.bosch-pt.com.ph

Bosch Service Center:
9725-27 Kamagong Street
San Antonio Village
Makati City, Philippines
Tel.: (02) 8999091
Fax: (02) 8976432
rosalie.dagdagan@ph.bosch.com

Malaysia

Robert Bosch (S.E.A.) Sdn. Bhd.
No. 8A, Jalan 13/6
G.P.O. Box 10818
46200 Petaling Jaya
Selangor, Malaysia
Tel.: (03) 79663194
Fax: (03) 79583838
cheehoe.on@my.bosch.com
Toll-Free: 1800 880188
www.bosch-pt.com.my

Thailand

Robert Bosch Ltd.
Liberty Square Building
No. 287, 11 Floor
Silom Road, Bangrak
Bangkok 10500
Tel.: 02 6311879 – 18 88 (10 lines)
Fax: 02 2384783
Robert Bosch Ltd., P. O. Box 2054
Bangkok 10501, Thailand
Bosch Service – Training Centre
2869-2869/1 Soi Ban Kluay
Rama IV Road (near old Paknam Railway)
Prakanong District
10110 Bangkok
Thailand
Tel.: 02 67178 00 – 4
Fax: 02 2494296
Fax: 02 2495299

Singapore

Robert Bosch (SEA) Pte. Ltd.
11 Bishan Street 21
Singapore 573943
Tel.: 6571 2772
Fax: 6350 5315
leongheng.leow@sg.bosch.com
Toll-Free: 1800 3338333
www.bosch-pt.com.sg

Vietnam

Robert Bosch Vietnam Co. Ltd
10/F, 194 Golden Building
473 Dien Bien Phu Street
Ward 25, Binh Thanh District
84 Ho Chi Minh City
Vietnam
Tel.: (08) 6258 3690 ext. 413
Fax: (08) 6258 3692
hieu.lagia@vn.bosch.com
www.bosch-pt.com

Australia, New Zealand and Pacific Islands

Robert Bosch Australia Pty. Ltd.
Power Tools
Locked Bag 66
Clayton South VIC 3169
Customer Contact Center
Inside Australia:
Phone: (01300) 307044
Fax: (01300) 307045
Inside New Zealand:
Phone: (0800) 543353
Fax: (0800) 428570
Outside AU and NZ:
Phone: +61 3 95415555
www.bosch.com.au

Transport

The contained lithium-ion batteries are subject to the Dangerous Goods Legislation requirements. The user can transport the batteries by road without further requirements.

When being transported by third parties (e.g.: air transport or forwarding agency), special requirements on packaging and labelling must be observed. For preparation of the item being shipped, consulting an expert for hazardous material is required.

Dispatch batteries only when the housing is undamaged. Tape or mask off open contacts and pack up the battery in such a manner that it cannot move around in the packaging. Please also observe possibly more detailed national regulations.

Disposal

The machine, rechargeable batteries, accessories and packaging should be sorted for environmental-friendly recycling.

Do not dispose of power tools and batteries/rechargeable batteries into household waste!

Battery packs/batteries:**Li-ion:**

Please observe the instructions in section "Transport", page 11.

Subject to change without notice.

中文

安全规章

电动工具通用安全警告

警告 阅读所有警告和所有说明！不遵照以下警告和说明会导致电击、着火和/或严重伤害。

保存所有警告和说明书以备查阅。

在所有下列的警告中术语“电动工具”指市电驱动（有线）电动工具或电池驱动（无线）电动工具。

工作场地的安全

- ▶ 保持工作场地清洁和明亮。混乱和黑暗的场地会引发事故。
- ▶ 不要在易爆环境，如有易燃液体、气体或粉尘的环境下操作电动工具。电动工具产生的火花会点燃粉尘或气体。
- ▶ 让儿童和旁观者离开后操作电动工具。注意力不集中会使操作者失去对工具的控制。

电气安全

- ▶ 电动工具插头必须与插座相配。绝不能以任何方式改装插头。需接地的电动工具不能使用任何转换插头。未经改装的插头和相配的插座将减少电击危险。
- ▶ 避免人体接触接地表面，如管道、散热片和冰箱。如果你身体接地会增加电击危险。
- ▶ 不得将电动工具暴露在雨中或潮湿环境中。水进入电动工具将增加电击危险。
- ▶ 不得滥用电线。绝不能用电线搬运、拉动电动工具或拔出其插头。使电线远离热源、油、锐边或运动部件。受损或缠绕的软线会增加电击危险。
- ▶ 当在户外使用电动工具时，使用适合户外使用的外接软线。适合户外使用的软线将减少电击危险。
- ▶ 如果在潮湿环境下操作电动工具是不可避免的，应使用剩余电流动作保护器（RCD）。使用 RCD 可减少电击危险。

人身安全

- ▶ 保持警觉，当操作电动工具时关注所从事的操作并保持清醒。当你感到疲倦，或在有药物、酒精或治疗反应时，不要操作电动工具。在操作电动工具时瞬间的疏忽会导致严重人身伤害。
- ▶ 使用个人防护装置。始终佩戴护目镜。安全装置，诸如适当条件下使用防尘面具、防滑安全鞋、安全帽、听力防护等装置能减少人身伤害。

- ▶ 防止意外起动。确保开关在连接电源和/或电池盒、拿起或搬运工具时处于关断位置。手指放在已接通电源的开关上或开关处于接通时插入插头可能会导致危险。
- ▶ 在电动工具接通之前，拿掉所有调节钥匙或扳手。遗留在电动工具旋转零件上的扳手或钥匙会导致人身伤害。
- ▶ 手不要伸展得太长。时刻注意立足点和身体平衡。这样在意外情况下能很好地控制电动工具。
- ▶ 着装适当。不要穿宽松衣服或佩戴饰品。让你的衣服、手套和头发远离运动部件。宽松衣服、配饰或长发可能会卷入运动部件中。
- ▶ 如果提供了与排屑、集尘设备连接用的装置，要确保他们连接完好且使用得当。使用这些装置可减少尘屑引起的危险。

电动工具使用和注意事项

- ▶ 不要滥用电动工具，根据用途使用适当的电动工具。选用适当设计的电动工具会使你工作更有效、更安全。
- ▶ 如果开关不能接通或关断工具电源，则不能使用该电动工具。不能用开关来控制的电动工具是危险的且必须进行修理。
- ▶ 在进行任何调节、更换附件或贮存电动工具之前，必须从电源上拔掉插头和/或使电池盒与工具脱开。这种防护性措施将减少工具意外起动的危险。
- ▶ 将闲置不用的电动工具贮存在儿童所及范围之外，并且不要让不熟悉电动工具或对这些说明不了解的人操作电动工具。电动工具在未经培训的用户手中是危险的。
- ▶ 保养电动工具。检查运动件是否调整到位或卡住，检查零件破损情况和影响电动工具运行的其他状况。如有损坏，电动工具应在使用前修理好。许多事故由维护不良的电动工具引发。
- ▶ 保持切削刀具锋利和清洁。保养良好的有锋利切削刃的刀具不易卡住而且容易控制。
- ▶ 按照使用说明书，考虑作业条件和进行的作业来使用电动工具、附件和工具的刀头。将电动工具用于那些与其用途不符的操作可能会导致危险。

电池式工具使用和注意事项

- ▶ 只用制造商规定的充电器充电。将适用于某种电池盒的充电器用到其他电池盒时会发生着火危险。
- ▶ 只有在配有专用电池盒的情况下才使用电动工具。使用其他电池盒会发生损坏和着火危险。
- ▶ 当电池盒不用时，将它远离其他金属物体，例如回形针、硬币、钥匙、钉子、螺钉或其他小金属物体，以防一端与另一端连接。电池端部短路会引起燃烧或火灾。

- ▶ 在滥用条件下，液体会从电池中溅出；避免接触。如果意外碰到了，用水冲洗。如果液体碰到了眼睛，还要寻求医疗帮助。从电池中溅出的液体会发生腐蚀或燃烧。

维修

- ▶ 将你的电动工具送交专业维修人员，使用同样的备件进行修理。这样将确保所维修的电动工具的安全性。

针对冲击扳手的安全规章

- ▶ 工作时如果电动起子机可能割断隐藏的电线，一定要握住绝缘手柄操作机器。电动起子机如果接触了带电的线路，电动工具上的金属部件会导电，可能造成操作者触电。
- ▶ 固定好工件。使用固定装置或老虎钳固定工件，会比用手握工件更牢固。
- ▶ 等待电动工具完全静止后才能够放下机器。机器上的工具可能在工作中被夹住，而令您无法控制电动工具。
- ▶ 切勿打开蓄电池。可能造成短路。



保护蓄电池免受高温（例如长期日照），火焰，水和湿气的侵害。有爆炸的危险。

- ▶ 如果蓄电池损坏了，或者未按照规定使用蓄电池，蓄电池中会散发出有毒蒸汽。工作场所必须保持空气流通，如果身体有任何不适必须马上就医。蓄电池散发的蒸汽会刺激呼吸道。
- ▶ 本蓄电池只能配合博世的电动工具一起使用。这样才能确保蓄电池不会过载。
- ▶ 只能使用博世原厂的蓄电池。电池的电压必须和电动工具铭牌上规定的电压相符。使用其他的蓄电池，例如仿制品、经过改造或其它品牌的蓄电池，有受伤的危险以及因为蓄电池爆炸而造成的财物损失。

产品和功率描述



阅读所有的警告提示和指示。如未确实遵循警告提示和指示，可能导致电击，火灾并且 / 或其他的严重伤害。

按照规定使用机器

本电动工具适用于拧入和拧出螺丝，并且可以拧紧和放松规定尺寸内的螺母。

插图上的机件

机件的编号和电动工具详解图上的编号一致。

- 1 工具接头
- 2 锁定套筒
- 3 拎环
- 4 腰带夹*
- 5 蓄电池*
- 6 蓄电池的解锁按键*
- 7 正逆转开关
- 8 起停开关
- 9 灯 " 照明灯 "
- 10 手柄 (绝缘握柄)
- 11 配备滚珠制动功能的螺丝批咀*
- 12 通用批嘴连杆*
- 13 螺丝批嘴*
- 14 安装件 (例如螺母起子头)*
- 15 碳刷
- 16 盖子

* 图表或说明上提到的附件，并不包含在基本的供货范围中。本公司的附件清单中有完整的附件供应项目。

技术数据

充电式冲击钻 / 起子机		GDR 14,4 V-Li	GDR 18 V-Li
物品代码		3 601 JA1 4..	3 601 JA1 3..
额定电压	伏特 =	14,4	18
无负载转速	次 / 分	0 - 2800	0 - 2800
冲击次数	次 / 分	0 - 3200	0 - 3200
根据 ISO 5393, 硬垫拧转的最大扭力	牛·厘米	150*	160*
螺丝直径	毫米	M6 - M14	M6 - M14
工具夹头		¼" 内六角	¼" 内六角
重量符合 EPTA-Procedure 01:2014	公斤	1,4 - 1,7*	1,5 - 1,9*

充电式冲击钻 / 起子机		GDS 14,4 V-Li	GDS 18 V-Li
物品代码		3 601 JA1 T..	3 601 JA1 S..
额定电压	伏特 =	14,4	18
无负载转速	次 / 分	0 - 2800	0 - 2800

14 | 中文

充电式冲击钻 / 起子机		GDS 14,4 V-Li	GDS 18 V-Li
冲击次数	次 / 分	0 - 3200	0 - 3200
根据 ISO 5393, 硬垫拧转的最大扭力	牛·顿米	170*	180*
螺丝直径	毫米	M6 - M16	M6 - M16
工具夹头		■ ½"	■ ½"
重量符合 EPTA-Procedure 01:2014	公斤	1,4 - 1,7*	1,5 - 1,9*

充电式冲击钻 / 起子机		GDX 14,4 V-Li	GDX 18 V-Li
物品代码		3 601 J88 0..	3 601 J88 1..
额定电压	伏特 =	14,4	18
无负载转速	次 / 分	0 - 2800	0 - 2800
冲击次数	次 / 分	0 - 3200	0 - 3200
根据 ISO 5393, 硬垫拧转的最大扭力			
- ¼" 内六角	牛·顿米	150*	160*
- ■ ½"	牛·顿米	170	180
螺丝直径	毫米	M6 - M16	M6 - M16
工具夹头		¼" 内六角 / ■ ½"	¼" 内六角 / ■ ½"
重量符合 EPTA-Procedure 01:2014	公斤	1,5 - 1,7*	1,5 - 2,0*

* 视所使用的蓄电池而定

安装

为蓄电池充电

▶ 只能选用附件页上提供的充电器。此充电器是电动工具上的锂离子蓄电池的专用充电器。

指示： 蓄电池在交货时只完成部分充电。首度使用电动工具之前，必须先充足蓄电池的电以确保蓄电池的功率。

可以随时为锂离子蓄电池充电，不会缩短电池的使用寿命。如果充电过程突然中断，也不会损坏电池。

本锂离子蓄电池配备了“电子充电室保护装置 (ECP)”，可以防止蓄电池过度放电。电池的电量如果用尽了，保护开关会自动关闭电动工具：安装在机器上的工具会停止转动。

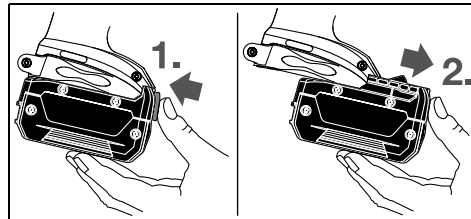
▶ 电动工具被关闭之后，切勿继续按住起停开关。可能损坏电池。

蓄电池上安装了 NTC- 温度监控装置。当温度位在摄氏 0 到 45 度间时，才能进行充电。所以能够大大地延长蓄电池的使用寿命。

请注意有关作废处理的规定。

取出蓄电池

本蓄电池 5 具备了双重锁定。即使不小心触动了蓄电池的解锁按键 6，蓄电池也不会从机器中掉落出来。固定弹簧会把蓄电池夹紧在机器中。



拆卸蓄电池 5 时先按下解锁按键 6 接著再向前从电动工具中拉出蓄电池。不可以强行拉出蓄电池。

更换工具 (参考插图 A - C)

▶ 在电动工具上进行任何维护的工作 (例如维修, 更换工具等等), 以及搬运、保存电动工具之前都必须从机器中取出蓄电池。不小心开动了起停开关可能造成伤害。

▶ 经常清理电动工具的通风口。电动机风扇会将灰尘吸进机壳, 过多的金属粉末沉积会导致电气危险。

GDR 14,4 V- Li / GDR 18 V- Li / GDX 14,4 V- Li / GDX 18 V- Li:

安装工具

先向前抽拉锁定套筒 2, 将工具插入工具接头 1 中并把工具推到接头的末端, 接著再放开锁定套筒 2 以锁定工具。

只能使用有滚珠制动功能的螺丝批咀 11 (DIN 3126- E6.3)。可以借用有滚珠制动功能的通用批咀架 12 来安装其他的螺丝批咀 13。

拆卸工具

先向前抽拉锁定套筒 2, 并取出工具。

GDS 14,4 V- LI / GDS 18 V- LI / GD X 14,4 V- LI / GD X 18 V- LI:

► **装入安装件时务必确认它是否牢牢地固定在工具接头上。** 如果安装件未牢固地插在工具接头中，可能在拧转螺丝时松脱。

把工作头 14 套在工具接头 1 上。

由于系统设计的关系，安装件 14 和工具接头 1 之间会存在些微的游隙；这并不会影响机器的功能 / 安全性能。

操作

运作原理

工具接头 1 和安装在接头上的工具，是靠著电子马达带动传动装置和敲击体来驱动的。

整个运作过程可以划分为两个阶段：

旋转 和 **拧紧**（冲击体投入运作）。

一旦螺丝咬入工件中而且发动机开始受荷，冲击体便投入运作。冲击体把发动机的传动力转换为均匀的旋转式敲击动作。放松螺丝或螺母时，整个运作过程会反向进行。

操作机器

安装蓄电池

► **只能使用博世原厂的锂离子蓄电池，电池的电压必须和机器铭牌上提供的电压一致。** 使用其它厂牌的蓄电池，可能导致意外伤害并造成火灾。

把正逆转开关 7 设定在中央的位置，以避免不小心开动电动工具。

把充好电的蓄电池 5 从前端推入电动工具的底座中，必须让蓄电池确实卡牢。

改变转向（参考插图 D）

使用正逆转开关 7 可以改变机器的转向。如果按住了起停开关 8，则无法改变转向。

正转：适用于转入螺丝和拧紧螺母时，把正逆转开关 7 向左推到底。

逆转：适用于放松 / 转出螺丝和螺母，把正逆转开关 7 向右推到底。

最大螺丝拉紧扭力的参考值

所提供的数据的单位是牛顿米，数据是由切削截面积运算所得；屈服点的利用为百分之 90 %（在摩擦系数 $\mu_{\text{时}} = 0,12$ ）。随时以扭力测量仪检查拉紧扭力。

强度等级根据 DIN 267	标准螺丝											高强度螺丝			
	3.6	4.6	5.6	4.8	6.6	5.8	6.8	6.9	8.8	10.9	12.9				
M 6	2.71	3.61	4.52	4.8	5.42	6.02	7.22	8.13	9.7	13.6	16.2				
M 8	6.57	8.7	11	11.6	13.1	14.6	17.5	19.7	23	33	39				
M 10	13	17.5	22	23	26	29	35	39	47	65	78				
M 12	22.6	30	37.6	40	45	50	60	67	80	113	135				
M 14	36	48	60	65	72	79	95	107	130	180	215				

开动 / 关闭

操作电动工具 时先按下电动工具的起停开关 8，并持续按着。

轻按或是把起停开关 8 按到底时灯 9 会亮起。在照明状况不佳的环境中可以借此照亮操作位置。

放开起停开关 8 便可以 **关闭** 电动工具。

调整转速

你可以无级式调整转速，把起停开关 8 按得越紧，转速就越快。

轻按起停开关 8 机器以低转速运转。逐渐在开关上加压，转速也会跟着提高。

有关操作方式的指点

► **先关闭电动工具，然后再把工具放置在螺母 / 螺丝上。** 安装在接头上的工具如果仍继续转动，容易从螺丝头上滑开。

扭力大小和冲击时间长短有关。最大扭力是所有经由冲击所产生的单一扭力的总和。在冲击约 6-10 秒之后扭力可以达到最大。超过这段时间，拉紧扭力只轻微增加。

必须测量每个拉紧扭力的持续冲击时间。随时以扭力测量仪，检查测得的拉紧扭力。

硬垫拧转，弹簧垫拧转或软垫拧转

如果把单一冲击过程中测得的各个扭力记载在线图上，可以得到扭力变化的曲线。曲线的最高点是最大扭力。上升的线段则代表到达最大扭力所需的时间。

扭力曲线的演变会受以下因素影响：

- 螺丝 / 螺母的强度
- 垫片的种类（螺片，冠状弹簧，密封片）
- 即将被拧入螺丝的物料的强度
- 螺丝是否涂抹了润滑油

综合以上因素，大概可以归类出下列的工作状况：

- **硬垫拧转**，是指在使用垫片的前提下把金属螺丝拧入金属物料中。经过短暂的冲击之后便可以到达最大扭力（比较陡的上升曲线）。不必要的延长冲击时间只会损坏机器。
- **弹簧垫拧转**，是指在使用了弹簧圈、冠状弹簧、螺

16 | 中文

强度等级根据 DIN 267	标准螺丝								高强度螺丝			
	3.6	4.6	5.6	4.8	6.6	5.8	6.8	6.9	8.8	10.9	12.9	
M 16	55	73	92	98	110	122	147	165	196	275	330	

建议

把大的、长的螺丝拧入坚硬的物料中之前，必须根据螺纹的中心直径打预钻孔，预钻孔的深度大概为螺丝长度的 $\frac{2}{3}$ 。

指示： 请留意，勿让小的金属物品掉入电动工具中。

腰带夹

使用腰带夹 4 可以把电动工具挂在腰带上。不但能够空出双手而且电动工具也随手可即。

如何正确地使用蓄电池

保护蓄电池，避免湿气和水分渗入。

蓄电池必须储存在摄氏 0 到 50 度的环境中。夏天不可以把蓄电池搁置在汽车中。

不时地使用柔软、清洁而且干燥的毛刷清洁蓄电池的通气孔。

充电后如果蓄电池的使用时间明显缩短，代表蓄电池已经损坏，必须更换新的蓄电池。

请注意有关作废处理的规定。

维修和服务**维修和清洁**

▶ 在电动工具上进行任何维护的工作（例如维修、更换工具等等），以及搬运、保存电动工具之前都必须从机器中取出蓄电池。不小心开动了起停开关可能造成伤害。

▶ 电动工具和通风间隙都必须保持清洁，这样才能提高工作品质 and 安全性。

更换碳刷（参考插图 E）

每 2 到 3 个月就得检查碳刷的长度。必要时得更换两个碳刷。

切勿只更换一个碳刷！

指示： 只能向博世购买针对该电动工具的碳刷。

- 使用合适的螺丝起子拧松盖子 16。
- 更换透过弹簧固定的碳刷 15 并再度拧紧盖子。

本公司生产的电动工具都经过严密的品质检验，如果机器仍然发生故障，请将机器交给博世电动工具公司授权的顾客服务处修理。

询问和订购备件时，务必提供机器铭牌上标示的 10 位数物品代码。

顾客服务处和顾客咨询中心

本公司顾客服务处负责回答有关本公司产品的修理、维护和备件的问题。以下的网页中有爆炸图和备件的

资料：

www.bosch-pt.com

博世顾客咨询团队非常乐意为您解答有关本公司产品及附件的问题。

有关保证，维修或更换零件事宜，请向合格的经销商查询。

中国大陆

博世电动工具（中国）有限公司

中国 浙江省 杭州市

滨江区滨康路 567 号

邮政编码：310052

免费服务热线：4008268484

传真：(0571) 87774502

电邮：contact.ptcn@cn.bosch.com

www.bosch-pt.com.cn

罗伯特·博世有限公司

香港北角英皇道 625 号 21 楼

客户服务热线：+852 2101 0235

传真：+852 2590 9762

电邮：info@hk.bosch.com

网站：www.bosch-pt.com.hk

制造商地址：

Robert Bosch Power Tools GmbH

罗伯特·博世电动工具有限公司

70538 Stuttgart / GERMANY

70538 斯图加特 / 德国

搬运


随着机器一起供货的锂离子蓄电池必须受危险物品法规范。使用者无须另外使用保护包装便可以运送该蓄电池。

但是如果将它交由第三者运送（例如：寄空运或委托运输公司）则使用特殊的包装和标示。此时必须向危险物品专家请教有关寄送危险物品的相关事宜。

确定蓄电池的外壳未受损后，才可以寄送蓄电池。粘好未加盖的触点并包装好蓄电池，不可以让蓄电池在包装中晃动。

必要时也得注意各国有关的法规。

处理废弃物

 必须以符合环保的方式，回收再利用损坏的电动工具、蓄电池、附件和废弃的包装材料。

不可以把电动工具和蓄电池 / 电池丢入一般的家庭垃圾中！

充电电池 / 电池：



锂离子:
请注意 "搬运" 段落中的指示,
页 16。

保留修改权。

中文

安全規章

電動工具通用安全警告

警告 閱讀所有警告和所有說明。不遵照以下警告和說明會導致電擊、著火和 / 或嚴重傷害。

保存所有警告和說明書以備查閱。

在所有下列的警告中術語 "電動工具" 指市電驅動 (有線) 電動工具或電池驅動 (無線) 電動工具。

工作場地的安全

- ▶ 保持工作場地清潔和明亮。混亂和黑暗的場地會引發事故。
- ▶ 不要在易爆環境，如有易燃液體、氣體或粉塵的環境下操作電動工具。電動工具產生的火花會點燃粉塵或氣體。
- ▶ 讓兒童和旁觀者離開後操作電動工具。注意力不集中會使你失去對工具的控制。

電氣安全

- ▶ 電動工具插頭必須與插座相配。絕不能以任何方式改裝插頭。需接地的電動工具不能使用任何轉換插頭。未經改裝的插頭和相配的插座將減少電擊危險。
- ▶ 避免人體接觸接地表面，如管道、散熱片和冰箱。如果你身體接地會增加電擊危險。
- ▶ 不得將電動工具暴露在雨中或潮濕環境中。水進入電動工具將增加電擊危險。
- ▶ 不得濫用電線。絕不能用電線搬運、拉動電動工具或拔出其插頭。使電線遠離熱源、油、銳邊或運動部件。受損或纏繞的軟線會增加電擊危險。
- ▶ 當在戶外使用電動工具時，使用適合戶外使用的外接軟線。適合戶外使用的軟線，將減少電擊危險。
- ▶ 如果在潮濕環境下操作電動工具是不可避免的，應使用剩餘電流動作保護器 (RCD)。使用 RCD 可減小電擊危險。

人身安全

- ▶ 保持警覺，當操作電動工具時關注所從事的操作並保持清醒。當你感到疲倦，或在有藥物、酒精或治療反應時，不要操作電動工具。在操作電動工具時瞬間的疏忽會導致嚴重人身傷害。
- ▶ 使用個人防護裝置。始終佩戴護目鏡。安全裝置，諸如適當條件下使用防塵面具、防滑安全鞋、安全帽、聽力防護等裝置能減少人身傷害。
- ▶ 防止意外起動。確保開關在連接電源和 / 或電池盒、拿起或搬運工具時處於關斷位置。手指放在已接通電源的開關上或開關處於接通時插入插頭可能會導致危險。
- ▶ 在電動工具接通之前，拿掉所有調節鑰匙或扳手。遺留在電動工具旋轉零件上的扳手或鑰匙會導致人身傷害。
- ▶ 手不要伸展得太長。時刻注意立足點和身體平衡。這樣在意外情況下能很好地控制電動工具。
- ▶ 著裝適當。不要穿寬鬆衣服或佩戴飾品。讓你的衣服、手套和頭髮遠離運動部件。寬鬆衣服、佩飾或長髮可能會捲入運動部件中。
- ▶ 如果提供了與排屑、集塵設備連接用的裝置，要確保他們連接完好且使用得當。使用這些裝置可減少塵屑引起的危險。

電動工具使用和注意事項

- ▶ 不要濫用電動工具，根據用途使用適當的電動工具。選用適當設計的電動工具會使你工作更有效、更安全。
- ▶ 如果開關不能接通或關斷工具電源，則不能使用該電動工具。不能用開關來控制的電動工具是危險的且必須進行修理。
- ▶ 在進行任何調節、更換附件或貯存電動工具之前，必須從電源上拔掉插頭和 / 或使電池盒與工具脫開。這種防護性措施將減少工具意外起動的危險。
- ▶ 將閒置不用的電動工具貯存在兒童所及範圍之外，並且不要讓不熟悉電動工具或對這些說明不瞭解的人操作電動工具。電動工具在未經培訓的用戶手中是危險的。
- ▶ 保養電動工具。檢查運動件是否調整到位或卡住，檢查零件破損情況和影響電動工具運行的其他狀況。如有損壞，電動工具應在使用前修理好。許多事故由維護不良的電動工具引發。
- ▶ 保持切削刀具鋒利和清潔。保養良好的有鋒利切削刃的刀具不易卡住而且容易控制。
- ▶ 按照使用說明書，考慮作業條件和進行的作業來使用電動工具、附件和工具的刀頭等。將電動工具用於那些與其用途不符的操作可能會導致危險。

18 | 中文

電池式工具使用和注意事項

- ▶ 只用製造商規定的充電器充電。將適用於某種電池盒的充電器用到其他電池盒時會發生著火危險。
- ▶ 只有在配有專用電池盒的情況下才使用電動工具。使用其他電池盒會發生損壞和著火危險。
- ▶ 當電池盒不用時，將它遠離其他金屬物體，例如回形針、硬幣、鑰匙、釘子、螺釘或其他小金屬物體，以防一端與另一端連接。電池端部短路會引起燃燒或火災。
- ▶ 在濫用條件下，液體會從電池中濺出；避免接觸。如果意外碰到了，用水沖洗。如果液體碰到了眼睛，還要尋求醫療幫助。從電池中濺出的液體會發生腐蝕或燃燒。

檢修

- ▶ 將你的電動工具送交專業維修人員，必須使用同樣的備件進行更換。這樣將確保所維修的電動工具的安全性。

針對衝擊扳手的安全規章

- ▶ 工作時如果電動起子機可能割斷隱藏的電線，一定要握住絕緣手柄操作機器。電動起子機如果接觸了帶電的線路，電動工具上的金屬部件會導電，可能造成操作者觸電。
- ▶ 固定好工件。使用固定裝置或老虎鉗固定工件，會比用手持握工件更牢固。
- ▶ 等待電動工具完全靜止後才能夠放下機器。機器上的工具可能在工作中被夾住，而令您無法控制電動工具。
- ▶ 切勿打開蓄電池。可能造成短路。



保護蓄電池免受高溫（例如長期日照），火焰，水和濕氣的侵害。有爆炸的危險。

- ▶ 如果蓄電池損壞了，或者未按照規定使用蓄電池，蓄電池中會散發出有毒蒸汽。工作場所必須保持空氣流通，如果身體有任何不適必須馬上就醫。蓄電池散發的蒸汽會刺激呼吸道。
- ▶ 本蓄電池只能配合博世的電動工具一起使用。這樣才能確保蓄電池不會過載。
- ▶ 只能使用博世原廠的蓄電池。電池的電壓必須和電動工具銘牌上規定的電壓相符。使用其他的蓄電池，例如仿制品，經過改造或其它品牌的蓄電池，有受傷的危險以及因為蓄電池爆炸而造成的財物損失。

產品和功率描述

閱讀所有的警告提示和指示。如未確實遵循警告提示和指示，可能導致電擊、火災並且 / 或其他的嚴重傷害。

按照規定使用機器

本電動工具適用於擰入和擰出螺絲，並且可以擰緊和放松規定尺寸內的螺母。

插圖上的機件

機件的編號和電動工具詳解圖上的編號一致。

- 1 工具接頭
- 2 鎖定套筒
- 3 拎環
- 4 腰帶夾*
- 5 蓄電池*
- 6 蓄電池的解鎖按鍵*
- 7 正逆轉開關
- 8 起停開關
- 9 燈 " 照明燈 "
- 10 手柄（絕緣握柄）
- 11 配備滾珠制動功能的螺絲批咀*
- 12 通用批嘴連桿*
- 13 螺絲批嘴*
- 14 安裝件（例如螺母起子頭）*
- 15 碳刷
- 16 蓋子

*圖表或說明上提到的附件，並不包含在基本的供貨範圍中。本公司的附件清單中有完整的附件供應項目。

技術性數據

充電式沖擊鑽 / 起子機		GDR 14,4 V-Li	GDR 18 V-Li
物品代碼		3 601 JA1 4..	3 601 JA1 3..
額定電壓	伏特 =	14,4	18
無負載轉速	次 / 分	0 - 2800	0 - 2800
沖擊次數	次 / 分	0 - 3200	0 - 3200
根據 ISO 5393, 硬墊擰轉的最大扭力	牛頓米	150*	160*
螺絲直徑	毫米	M6 - M14	M6 - M14
工具夾頭		¼" 內六角	¼" 內六角
重量符合 EPTA-Procedure 01:2014	公斤	1,4 - 1,7*	1,5 - 1,9*

充電式沖擊鑽 / 起子機		GDS 14,4 V-Li	GDS 18 V-Li
物品代碼		3 601 JA1 T..	3 601 JA1 S..
額定電壓	伏特 =	14,4	18
無負載轉速	次 / 分	0 - 2800	0 - 2800
沖擊次數	次 / 分	0 - 3200	0 - 3200
根據 ISO 5393, 硬墊擰轉的最大扭力	牛頓米	170*	180*
螺絲直徑	毫米	M6 - M16	M6 - M16
工具夾頭		■ ½"	■ ½"
重量符合 EPTA-Procedure 01:2014	公斤	1,4 - 1,7*	1,5 - 1,9*

充電式沖擊鑽 / 起子機		GDX 14,4 V-Li	GDX 18 V-Li
物品代碼		3 601 JB8 0..	3 601 JB8 1..
額定電壓	伏特 =	14,4	18
無負載轉速	次 / 分	0 - 2800	0 - 2800
沖擊次數	次 / 分	0 - 3200	0 - 3200
根據 ISO 5393, 硬墊擰轉的最大扭力	牛頓米	150*	160*
- ¼" 內六角	牛頓米		180
- ■ ½"	牛頓米	170	
螺絲直徑	毫米	M6 - M16	M6 - M16
工具夾頭		¼" 內六角 / ■ ½"	¼" 內六角 / ■ ½"
重量符合 EPTA-Procedure 01:2014	公斤	1,5 - 1,7*	1,5 - 2,0*

* 視所使用的蓄電池而定

安裝**為蓄電池充電**

▶ 只能選用附件頁上提供的充電器。此充電器是電動工具上的鋰離子蓄電池的專用充電器。

指示：蓄電池在交貨時只完成部分充電。首度使用電動工具之前，必須先充足蓄電池的電以確保蓄電池的功率。

可以隨時為鋰離子蓄電池充電，不會縮短電池的使用壽命。如果充電過程突然中斷，也不會損壞電池。

本鋰離子蓄電池配備了 "電子充電室保護裝置 (ECP)"，可以防止蓄電池過度放電。電池的電量如果用盡了，保護開關會自動關閉電動工具；安裝在機器上的工具會停止轉動。

▶ 電動工具被關閉之后，切勿繼續按住起停開關。可能損壞電池。

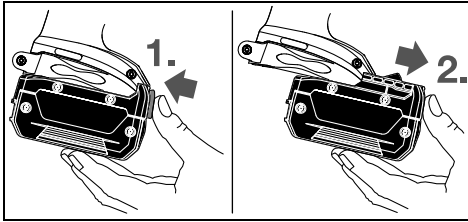
蓄電池上安裝了 NTC-溫度監控裝置。當溫度位在攝氏 0 到 45 度間時，才能進行充電。所以能夠大大地延長蓄電池的使用壽命。

請注意有關作廢處理的規定。

取出蓄電池

本蓄電池 5 具備了雙重鎖定。即使不小心觸動了蓄電池的解鎖按鍵 6，蓄電池也不會從機器中掉落出來。固定彈簧會把蓄電池夾緊在機器中。

20 | 中文



拆卸蓄電池 5 時先按下解鎖按鍵 6，接著再向前從電動工具中拉出蓄電池。不可以強行拉出蓄電池。

更換工具 (參考插圖 A - C)

- ▶ 在電動工具上進行任何維護的工作 (例如維修、更換工具等等)，以及搬運、保存電動工具之前都必須從機器中取出蓄電池。不小心開動了起停開關可能造成傷害。
- ▶ 經常清理電動工具的通風口。電動機風扇會將灰塵吸進機殼，過多的金屬粉末沉積會導致電氣危險。

GDR 14,4 V- LI / GDR 18 V- LI / GD \times 14,4 V- LI / GD \times 18 V- LI:

安裝工具

先向前抽拉鎖定套筒 2，將工具插入工具接頭 1 中並把工具推到接頭的盡端，接著再放開鎖定套筒 2 以鎖定工具。

只能使用有滾珠制動功能的螺絲批咀 11 (DIN 3126-E6.3)。可以借用有滾珠制動功能的通用批咀架 12 來安裝其他的螺絲批咀 13。

拆卸工具

先向前抽拉鎖定套筒 2，並取出工具。

GDS 14,4 V- LI / GDS 18 V- LI / GD \times 14,4 V- LI / GD \times 18 V- LI:

- ▶ 裝入安裝件時務必要確認它是否牢牢地固定在工具接頭上。如果安裝件未牢固地插在工具接頭中，可能在擰轉螺絲時鬆脫。

把插入工具 14 套在工具接頭 1 上。

由於系統設計的關係，安裝件 14 和工具接頭 1 之間會存在些微的游隙；這並不會影響機器的功能 / 安全性能。

操作**運作原理**

工具接頭 1 和安裝在接頭上的工具，是靠著電子馬達帶動傳動裝置和敲擊體來驅動的。

整個運作過程可以劃分為兩個階段：

旋轉 和 **擰緊** (沖擊體投入運作)。

一當螺絲咬入工件中而且發動機開始受荷，沖擊體便投入運作。沖擊體把發動機的傳動力轉換為均勻的旋轉式敲擊動作。放鬆螺絲或螺母時，整個運作過程會反向進行。

操作機器**安裝蓄電池**

- ▶ 只能使用博世原廠的鋰離子蓄電池，電池的電壓必須和機器銘牌上提供的電壓一致。使用其它廠牌的蓄電池，可能導致意外傷害並造成火災。

把正逆轉開關 7 設定在中央的位置，以避免不小心開動電動工具。

把充好電的蓄電池 5 從前端推入電動工具的底座中，必須讓蓄電池確實卡牢。

改變轉向 (參考插圖 D)

使用正逆轉開關 7 可以改變機器的轉向。如果按住了起停開關 8，則無法改變轉向。

正轉：適用於轉入螺絲和擰緊螺母時，把正逆轉開關 7 向左推到底。

逆轉：適用於放鬆 / 轉出螺絲和螺母，把正逆轉開關 7 向右推到底。

開動 / 關閉

操作電動工具時先按下電動工具的起停開關 8，並持續按著。

輕按或是把起停開關 8 按到底時燈 9 會亮起。在照明狀況不佳的環境中可以借此照亮操作位置。

放開起停開關 8 便可以 **關閉** 電動工具。

調整轉速

你可以無級式調整轉速，把起停開關 8 按得越緊，轉速就越快。

輕按起停開關 8 機器以低轉速運轉。逐漸在開關上加壓，轉速也會跟著提高。

有關操作方式的指點

- ▶ **先關閉電動工具，然後再把工具放置在螺母 / 螺絲上。**安裝在接頭上的工具如果仍繼續轉動，容易從螺絲頭上滑開。

扭力大小和沖擊時間長短有關。最大扭力是所有經由沖擊所產生的單一扭力的總和。在沖擊約 6-10 秒之後扭力可以達到最大。超過這段時間，拉緊扭力只輕微增加。

必須測量每個拉緊扭力的持續沖擊時間。隨時以扭力測量儀，檢查測得的拉緊扭力。

硬墊擰轉，彈簧墊擰轉或軟墊擰轉

如果把單一沖擊過程中測得的各個扭力記載在線圖上，可以得到扭力變化的曲線。曲線的最高點是最大扭力。上升的線段則代表到達最大扭力所須的時間。

扭力曲線的演變會受以下因素影響：

- 螺絲 / 螺母的強度
- 墊片的種類 (螺片, 冠狀彈簧, 密封片)
- 即將被擰入螺絲的物料的強度
- 螺絲是否塗抹了潤滑油

綜合以上因素, 大概可以歸類出下列的工作狀況：

- **硬墊擰轉**, 是指在使用墊片的前提下把金屬螺絲擰入金屬物料中。經過短暫的沖擊之後便可以達到最大扭矩 (比較陡的上升曲線)。不必要的延長沖擊時間只會損壞機器。

- **彈簧墊擰轉**, 是指在使用了彈簧圈、冠狀彈簧、螺柱、帶圓錐座的螺絲 / 螺母以及延長零件等的情況下把金屬螺絲擰入金屬物料中。
- **軟墊擰轉**, 以下幾個例子都屬於軟墊擰轉：把金屬螺絲擰入木材中, 或者擰緊螺絲時使用了鉛墊片、纖維墊片。

彈簧墊擰轉和軟墊擰轉的最大扭力小於硬墊擰轉的最大扭力。而且前者需要的沖擊時間卻明顯超越後者。

最大螺絲拉緊扭力的參考值

所提供的數據的單位是牛頓米, 數據是由切削面積運算所得; 屈服點的利用為百分之 90 % (在摩擦係數 $\mu_{時} = 0,12$)。隨時以扭力測量儀檢查拉緊扭力。

強度等級根據 DIN 267	標準螺絲				高強度螺絲						
	3.6	4.6	5.6	4.8	6.6	5.8	6.8	6.9	8.8	10.9	12.9
M 6	2.71	3.61	4.52	4.8	5.42	6.02	7.22	8.13	9.7	13.6	16.2
M 8	6.57	8.7	11	11.6	13.1	14.6	17.5	19.7	23	33	39
M 10	13	17.5	22	23	26	29	35	39	47	65	78
M 12	22.6	30	37.6	40	45	50	60	67	80	113	135
M 14	36	48	60	65	72	79	95	107	130	180	215
M 16	55	73	92	98	110	122	147	165	196	275	330

建議

把大的、長的螺絲擰入堅硬的物料中之前, 必須根據螺紋的中心直徑打預鑽孔, 預鑽孔的深度大概為螺絲長度的 $\frac{2}{3}$ 。

指示： 請留意, 勿讓小的金屬物品掉入電動工具中。

腰帶夾

使用腰帶夾 4 可以把電動工具掛在腰帶上。不但能夠空出雙手而且電動工具也隨手可即。

如何正確地使用蓄電池

保護蓄電池, 避免濕氣和水分滲入。

蓄電池必須儲存在攝氏 0 到 50 度的環境中。夏天不可以把蓄電池擱置在汽車中。

不定時地使用柔軟, 清潔而且乾燥的毛刷清潔蓄電池的通氣孔。

充電後如果蓄電池的使用時間明顯縮短, 代表蓄電池已經損壞, 必須更換新的蓄電池。

請注意有關作廢處理的規定。

維修和服務

維修和清潔

- ▶ 在電動工具上進行任何維護的工作 (例如維修, 更換工具等等), 以及搬運、保存電動工具之前都必須從機器中取出蓄電池。不小心開動了起停開關可能造成傷害。

- ▶ **電動工具和通風間隙都必須保持清潔, 這樣才能夠提高工作品質和安全性。**

更換碳刷 (參考插圖 E)

每 2 到 3 個月就得檢查碳刷的長度。必要時得更換兩個碳刷。

切勿只更換一個碳刷!

指示： 只能向博世購買針對該電動工具的碳刷。

- 使用合適的螺絲起子擰松蓋子 16。
- 更換透過彈簧固定的碳刷 15 並再度擰緊蓋子。

本公司生產的電動工具都經過嚴密的品質檢驗, 如果機器仍然發生故障, 請將機器交給博世電動工具公司授權的顧客服務處修理。

詢問和訂購備件時, 務必提供機器銘牌上標示的 10 位數物品代碼。

顧客服務處和顧客諮詢中心

本公司顧客服務處負責回答有關本公司產品的修理, 維護和備件的問題。以下的網頁中有爆炸圖和備件的資料：

www.bosch-pt.com

博世顧客諮詢團隊非常樂意為您解答有關本公司產品及附件的問題。

22 | 한국어

台灣

台灣羅伯特博世股份有限公司
建國北路一段 90 號 6 樓
台北市 10491
電話：(02) 2515 5388
傳真：(02) 2516 1176
www.bosch-pt.com.tw

製造商地址：

Robert Bosch Power Tools GmbH
羅伯特·博世電動工具有限公司
70538 Stuttgart / GERMANY
70538 斯圖加特 / 德國

搬運

隨著機器一起供貨的鋰離子蓄電池必須受危險物品法規範。使用者無須另外使用保護包裝便可以運送該蓄電池。

但是如果將它交由第三者運送（例如：寄空運或委託運輸公司）則要使用特殊的包裝和標示。此時必須向危險物品專家請教有關寄送危險物品的相關事宜。

確定蓄電池的外殼未受損後，才可以寄送蓄電池。粘好未加蓋的觸點並包裝好蓄電池，不可以讓蓄電池在包裝中晃動。

必要時也得注意各國有關的法規。

處理廢棄物

必須以符合環保的方式，回收再利用損壞的電動工具，蓄電池，附件和廢棄的包裝材料。

不可以把電動工具和蓄電池 / 電池丟入一般的家庭垃圾中！

蓄電池 / 一般電池：

鋰離子：
請注意“搬運”段落中的指示，頁 22。

保留修改權。

한국어**안전 수칙****전동공구용 일반 안전수칙**

⚠ 경고 모든 안전수칙과 지시 사항을 상세히 읽고 지켜야 합니다. 다음의 안전수칙과 지시 사항을 준수하지 않으면 화재 위험이 있으며 감전 혹은 중상을 입을 수 있습니다.

앞으로의 참고를 위해 이 안전수칙과 사용 설명서를 잘 보관하십시오.

다음에서 사용되는 “전동공구” 라는 개념은 전원에 연결하여 사용하는 전동 기기 (전선이 있는) 나 배터리를 사용하는 전동 기기 (전선이 없는) 를 의미합니다.

작업장 안전

- ▶ **작업장을 항상 깨끗이 하고 조명을 밝게 하십시오.** 작업장 환경이 어수선하거나 어두우면 사고를 초래할 수 있습니다.
- ▶ **가연성 유체, 가스 또는 분진이 있어 폭발 위험이 있는 환경에서 전동공구를 사용하지 마십시오.** 전동공구는 분진이나 증기에 점화하는 스파크를 일으킬 수 있습니다.
- ▶ **전동공구를 사용할 때 구경꾼이나 어린이 혹은 다른 사람이 작업장에 접근하지 못하게 하십시오.** 다른 사람이 주의를 산만하게 하면 기기에 대한 통제를 잃기 쉽습니다.

전기에 관한 안전

- ▶ **전동공구의 전원 플러그가 전원 콘센트에 잘 맞아야 합니다.** 플러그를 조금이라도 변경시켜서는 안됩니다. 접지된 전동공구를 사용할 때 어댑터 플러그를 사용하지 마십시오. 변형되지 않은 플러그와 잘 맞는 콘센트를 사용하면 감전의 위험을 감소할 수 있습니다.
- ▶ **파이프 관, 라디에이터, 레인지, 냉장고와 같은 접지 표면에 몸이 닿지 않도록 하십시오.** 몸에 닿을 경우 감전될 위험이 높습니다.
- ▶ **전동공구를 비에 맞지 않게 하고 습기 있는 곳에 두지 마십시오.** 전동공구에 물이 들어가면 감전될 위험이 높습니다.
- ▶ **전원 코드를 잡고 전동공구를 운반하거나 걸어 놓아서는 안되며, 콘센트에서 전원 플러그를 뽑을 때 전원 코드를 잡아 당겨서는 절대로 안됩니다.** 전원 코드가 열과 오일에 접촉하는 것을 피하고, 날카로운 모서리나 기기의 가동 부위에 닿지 않도록 주의하십시오. 손상되거나 영긴 전원 코드는 감전을 유발할 수 있습니다.
- ▶ **실외에서 전동공구로 작업할 때는 실외용으로 적당한 연장 전원 코드만을 사용하십시오.** 실외용 연장 전원 코드를 사용하면 감전의 위험을 줄일 수 있습니다.
- ▶ **전동공구를 습기 찬 곳에서 사용해야 할 경우에는 누전 차단기를 사용하십시오.** 누전 차단기를 사용하면 감전 위험을 줄일 수 있습니다.

사용자 안전

- ▶ **신중하게 작업하십시오.** 작업을 할 때 주의를 하며, 전동공구를 사용할 때 경솔하게 행동하지 마십시오. 피로한 상태이거나 약물 복용 및 음주한 후에는 전동공구를 사용하지 마십시오. 전동공구를 사용할 때 잠시라도 주의를 산만해지면 중상을 입을 수 있습니다.

- ▶ **작업자 안전을 위한 장치를 사용하십시오. 항상 보안경을 착용하십시오.** 전동공구의 종류와 사용에 따라 먼지 보호 마스크, 미끄러지지 않는 안전한 신발, 안전모 또는 귀마개 등의 안전한 복장을 하면 상해의 위험을 줄일 수 있습니다.
- ▶ **실수로 기기가 작동되지 않도록 주의하십시오.** 전동공구를 전원에 연결하거나 배터리를 끼우기 전에, 혹은 기기를 들거나 운반하기 전에, 전원 스위치가 꺼져 있는지 다시 확인하십시오. 전동공구를 운반할 때 전원 스위치에 손가락을 대거나 전원 스위치가 켜진 상태에서 전원을 연결하면 사고 위험이 높습니다.
- ▶ **전동공구를 사용하기 전에 조절하는 툴이나 나사 키 등을 빼 놓으십시오.** 회전하는 부위에 있는 툴이나 나사 키로 인해 상처를 입을 수 있습니다.
- ▶ **자신을 과신하지 마십시오.** 불안정한 자세를 피하고 항상 평형을 이룬 상태로 작업하십시오. 안정된 자세와 평형한 상태로 작업해야만이 의외의 상황에서도 전동공구를 안전하게 사용할 수 있습니다.
- ▶ **알맞은 작업복을 입으십시오.** 헐렁한 복장을 하거나 장신구를 착용하지 마십시오. 머리카락 또는 장갑이 가동하는 기기 부위에 가까이 닿지 않도록 주의하십시오. 헐렁한 복장, 장신구 혹은 긴 머리는 가동 부위에 말려 사고를 초래할 수 있습니다.
- ▶ **분진 추출장치나 수거장치의 조립이 가능한 경우, 이 장치가 연결되어 있는지, 제대로 작동이 되는지 확인하십시오.** 이러한 분진 추출장치를 사용하면 분진으로 인한 사고 위험을 줄일 수 있습니다.

전동공구의 올바른 사용과 취급

- ▶ **기기를 과부하 상태에서 사용하지 마십시오.** 작업할 때 이에 적당한 전동공구를 사용하십시오. 알맞은 전동공구를 사용하면 지정된 성능 한도 내에서 더욱 효율적으로 안전하게 작업할 수 있습니다.
- ▶ **전원 스위치가 고장 난 전동공구를 사용하지 마십시오.** 전원 스위치가 작동되지 않는 전동공구는 위험하므로, 반드시 수리를 해야 합니다.
- ▶ **기기에 세팅을 하거나 액세서리 부품을 교환하거나 혹은 기기를 보관할 때, 항상 전원 콘센트에서 플러그를 미리 빼어 놓으십시오.** 이러한 조치는 실수로 전동공구가 작동하게 되는 것을 예방합니다.
- ▶ **사용하지 않는 전동공구는 어린이 손이 닿지 않는 곳에 보관하고, 전동공구 사용에 익숙지 않거나 이 사용 설명서를 읽지 않은 사람은 기기를 사용해서는 안 됩니다.** 경험이 없는 사람이 전동공구를 사용하면 위험합니다.
- ▶ **전동공구를 조심스럽게 관리하십시오.** 가동 부위가 하자 없이 정상적인 기능을 하는지, 걸리는 부위가 있는지, 혹은 전동공구의 기능에 중요한 부품이 손상되지 않았는지 확인하십시오. 손상된 기기의 부품은 전동공구를 다시 사용하기 전에 반드시 수리를 맡기십시오. 제대로 관리하지 않은 전동공구의 경우 많은 사고를 유발합니다.

▶ **절단 공구를 날카롭고 깨끗하게 관리하십시오.** 날카로운 절단면이 있고 잘 관리된 절단공구는 걸리는 경우가 드물고 조절하기도 쉽습니다.

- ▶ **전동공구, 액세서리, 장착하는 공구 등을 사용할 때, 이 지시 사항과 특별히 기종 별로 나와있는 사용 방법을 준수하십시오.** 이때 작업 조건과 실시하려는 작업 내용을 고려하십시오. 원래 사용 분야가 아닌 다른 작업에 전동공구를 사용할 경우 위험한 상황을 초래할 수 있습니다.

충전 전동공구의 올바른 사용과 취급

- ▶ **배터리를 충전할 때 제조 회사가 추천하는 충전기만을 사용하여 재충전해야 합니다.** 특정 제품의 배터리를 위하여 제조된 충전기에 적합하지 않은 다른 배터리를 충전할 경우 화재 위험이 있습니다.
- ▶ **각 전동공구용으로 나와있는 배터리만을 사용하십시오.** 다른 종류의 배터리를 사용하면 상해를 입거나 화재를 초래할 수 있습니다.
- ▶ **배터리를 사용하지 않을 때는, 각 극 사이에 브리징 상태가 생길 수 있으므로 페이퍼 클립, 동전, 열쇠, 못, 나사 등 유사한 금속성 물체와 멀리하여 보관하십시오.** 배터리 극 사이에 쇼트가 일어나 화상을 입거나 화재를 야기할 수 있습니다.
- ▶ **배터리를 잘못 사용하면 누수가 생길 수 있습니다.** 누수가 생긴 배터리에 닿지 않도록 하십시오. 피부에 접촉하게 되었을 경우 즉시 물로 씻으십시오. 유체가 눈에 닿았을 경우 바로 의사와 상담하십시오. 배터리에서 나오는 유체는 피부에 자극을 주거나 화상을 입힐 수 있습니다.

서비스

- ▶ **전동공구 수리는 반드시 전문 인력에게 맡기고, 수리 정비 시 보쉬 순정 부품만을 사용하십시오.** 그렇게 함으로써 기기의 안전성을 오래 유지할 수 있습니다.

임팩트 렌치용 안전수칙

- ▶ **작업할 때 나사못으로 보이지 않는 전선에 닿을 위험이 있으면 전동공구의 절연된 손잡이 면을 잡으십시오.** 나사못이 전류가 흐르는 전선에 접하게 되면 기기의 금속 부위에 전기가 통해 감전될 위험이 있습니다.
- ▶ **작업물을 잘 고정하십시오.** 고정장치나 기계 바이스에 끼워서 작업하면 손으로 잡는 것보다 더 안전합니다.
- ▶ **전동공구를 내려놓기 전에 기기가 완전히 멈추었는지를 확인하십시오.** 비트가 걸려 전동공구에 대한 통제가 어려워질 수 있습니다.
- ▶ **배터리를 분해하지 마십시오.** 단락이 발생할 위험이 있습니다.



배터리를 태양 광선 등 고열에 장시간 노출되지 않도록 하고 불과 물, 수분이 있는 곳에 두지 마십시오. 폭발할 위험이 있습니다.

24 | 한국어

- ▶ 배터리가 손상되었거나 잘못 사용될 경우 증기가 발생할 수 있습니다. 작업장을 환기시키고, 필요한 경우 의사와 상담하십시오. 증기로 인해 호흡기가 자극될 수 있습니다.
- ▶ 배터리를 보쉬 전동공구와 함께 사용해야 합니다. 그렇게 해야만 배터리를 위험한 과부하로부터 보호할 수 있습니다.
- ▶ 전동공구의 타입 표시판에 나와있는 전압에 해당하는 보쉬 순정 배터리만을 사용하십시오. 모조품이나 재생 복원 배터리 혹은 타사의 배터리를 사용하면 폭발성이 있는 배터리로 인해 상해를 입을 수 있으며 물적 손해를 볼 수 있습니다.

제품 및 성능 소개



모든 안전수칙과 지시 사항을 상세히 읽고 지켜야 합니다. 다음의 안전수칙과 지시 사항을 준수하지 않으면 화재 위험이 있으며 감전 혹은 중상을 입을 수 있습니다.

규정에 따른 사용

본 전동공구는 각각 정해진 치수 범위 내에서 나사못을 끼우거나 푸는 작업 그리고 너트를 조이거나 푸는 작업을 하는 데 사용해야 합니다.

제품의 주요 명칭

제품의 주요 명칭에 표기되어 있는 번호는 기기 그림이 나와있는 면을 참고하십시오.

- 1 톨 홀더
- 2 잠금 슬리브
- 3 운반용 끈
- 4 벨트 고정클립*
- 5 배터리*
- 6 배터리 해제 버튼*
- 7 회전방향 선택 스위치
- 8 전원 스위치
- 9 “파워 라이트” 램프
- 10 손잡이 (절연된 손잡이 부위)
- 11 볼 캐치가 있는 스크류 드라이버 비트*
- 12 유니버설 비트 홀더*
- 13 스크류 드라이버 비트*
- 14 장착 액세서리 (임팩트 소켓 등)*
- 15 카본 브러시
- 16 커버 두껍

*도면이나 설명서에 나와있는 액세서리는 표준 공급부품에 속하지 않습니다. 전체 액세서리는 저희 액세서리 프로그램을 참고하십시오.

제품 사양

충전 임팩트 드라이버		GDR 14,4 V-Li	GDR 18 V-Li
제품 번호		3 601 JA1 4..	3 601 JA1 3..
정격 전압	V=	14.4	18
무부하 속도	rpm	0 – 2800	0 – 2800
타격률	rpm	0 – 3200	0 – 3200
ISO 5393 에 따른 경질 스크류작업 시 최대 토크	Nm	150*	160*
볼트 크기 - Ø	mm	M6 – M14	M6 – M14
톨 홀더		6,35 mm 육각 소켓	6,35 mm 육각 소켓
EPTA 공정 01:2014 에 따른 중량	kg	1.4 – 1.7*	1.5 – 1.9*

충전 임팩트 드라이버		GDS 14,4 V-Li	GDS 18 V-Li
제품 번호		3 601 JA1 T..	3 601 JA1 S..
정격 전압	V=	14.4	18
무부하 속도	rpm	0 – 2800	0 – 2800
타격률	rpm	0 – 3200	0 – 3200
ISO 5393 에 따른 경질 스크류작업 시 최대 토크	Nm	170*	180*
볼트 크기 - Ø	mm	M6 – M16	M6 – M16
톨 홀더		■ ½"	■ ½"
EPTA 공정 01:2014 에 따른 중량	kg	1.4 – 1.7*	1.5 – 1.9*

충전 입력용 드라이버		GDX 14,4 V-LI	GDX 18 V-LI
제품 번호		3 601 JB8 0..	3 601 JB8 1..
정격 전압	V=	14.4	18
무부하 속도	rpm	0 – 2800	0 – 2800
타격률	rpm	0 – 3200	0 – 3200
ISO 5393 에 따른 경질 스크류작업 시 최대 토크			
- 6.35 mm 육각 소켓	Nm	150*	160*
- ■ ½"	Nm	170	180
볼트 크기 - Ø	mm	M6 – M16	M6 – M16
툴 홀더		6.35 mm 육각 소켓/■ ½"	6.35 mm 육각 소켓/■ ½"
EPTA 공정 01:2014 에 따른 중량	kg	1.5 – 1.7*	1.5 – 2.0*

* 사용하는 배터리에 따라 상이

조립

배터리 충전하기

▶ 액세서리 목록에 기재되어 있는 충전기만을 사용하십시오. 이 충전기만이 귀하의 전동공구에 사용된 리튬이온 배터리에 맞게 되어 있습니다.

참고: 배터리는 일부 충전되어 공급됩니다. 배터리의 성능을 완전하게 보장하기 위해서는 처음 사용하기 전에 배터리를 완전히 충전기에 충전하십시오.

리튬이온 배터리는 항상 충전할 수 있으며, 이로 인해 수명이 단축되지 않습니다. 충전을 하다 중간에 중지해도 배터리가 손상되지 않습니다.

리튬이온 배터리는 “전자 셀 보호 (ECP)” 기능이 있어 과도한 방전이 되지 않습니다. 배터리가 방전되면 안전 스위치가 작동하여 전동공구가 꺼지고 비트가 더 이상 움직이지 않습니다.

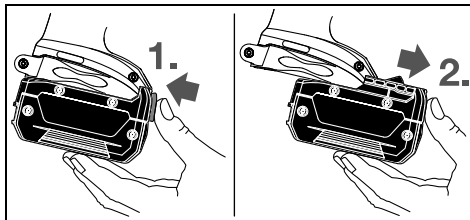
▶ 전동공구가 자동으로 작동이 중단된 경우 전원 스위치를 더 계속 누르지 마십시오. 이로 인해 배터리가 손상될 수 있습니다.

배터리에는 NTC 온도 모니터가 장치되어 있어 섭씨 0 ° C에서 45 ° C 사이의 온도 범위에서만 충전이 가능합니다. 이로 인해 배터리의 수명이 연장됩니다.

처리에 관련된 지시 사항을 준수하십시오.

배터리 탈착하기

배터리 5는 배터리 해제 버튼 6이 실수로 눌러져 배터리가 빠지는 것을 방지하기 위해 잠금장치가 이중으로 되어 있습니다. 전동공구에 배터리가 끼워져 있는 동안 이는 스프링으로 제 위치에 고정됩니다.



배터리 5를 빼려면 해제 버튼 6을 누른 상태에서 배터리를 전동공구 앞쪽으로 잡아 당깁니다. 무리하게 힘을 가하지 마십시오.

액세서리의 교환 (그림 A – C 참조)

▶ 전동공구에 각종 작업 (보수 정비 및 액세서리 교환 등)을 하거나 전동공구를 운반하거나 보관할 경우 배터리를 전동공구에서 빼십시오. 실수로 전원 스위치가 작동하게 되면 상해를 입을 위험이 있습니다.

▶ 전동공구의 통풍구를 정기적으로 깨끗이 닦으십시오. 모터 팬이 하우징 안으로 분진을 끌어들이며, 금속 분진이 많이 쌓이면 전기적인 위험을 야기할 수 있습니다.

GDR 14,4 V- LI/GDR 18 V- LI/ GDx 14,4 V- LI/GDx 18 V- LI: 비트 장착하기

잠금 슬리브 2를 앞으로 당기고 비트를 툴 홀더 1 안으로 끝까지 밀어 넣습니다. 비트를 고정하려면 잠금 슬리브 2를 다시 놓으면 됩니다.

반드시 볼 캐치가 있는 스크류 드라이버 비트 11 (DIN 3126-E6.3) 만을 사용하십시오. 다른 스크류 드라이버 비트 13은 볼 캐치가 있는 유니버설 비트 홀더 12와 함께 사용할 수 있습니다.

비트 탈착하기

잠금 슬리브 2를 앞으로 당긴 다음에 드릴 비트를 빼냅니다.

GDS 14,4 V- LI/GDS 18 V- LI/ GDx 14,4 V- LI/GDx 18 V- LI:

▶ 삽입공구를 끼울 때 툴 홀더에 확실하게 끼워졌는지 확인하십시오. 삽입공구가 툴 홀더에 제대로 연결되어 있지 않으면 스크류작업 시 빠질 수 있습니다.

사각형의 툴 홀더 1에 비트를 밀어 넣습니다.

시스템상 삽입공구 14가 툴 홀더 1에 느슨하게 장착됩니다; 그러나 이는 기능이나 안전에 아무런 영향을 주지 않습니다.

26 | 한국어

작동**작동 방법**

비트가 끼워진 툴 홀더 1은 기어와 충격 메커니즘을 통한 전동기에 의해 작동됩니다.

작업 과정은 두 단계로 나뉘어집니다:

스크류작업과 고정 작업 (임팩트 장치 작동).

충격 장치는 나사못과 연결이 되어 모터에 부하가 걸리게 되면 작동하기 시작합니다. 이때 충격 메커니즘은 모터의 힘을 균일한 회전 임팩트로 변환시킵니다. 나사못이나 너트를 풀 경우 이 과정이 반대로 진행됩니다.

기계 시동**배터리 장착하기**

▶ **반드시 귀하의 전동공구 타입 표시판에 나와 있는 전압의 보쉬 순정 리튬이온 배터리를 사용하십시오.**

다른 배터리를 사용하면 상해를 입거나 화재가 발생할 위험이 있습니다.

전동공구가 실수로 켜지는 것을 방지하기 위해 회전방향 선택 스위치 7을 가운데 위치로 두십시오.

충전된 배터리 5를 앞에서 부터 전동공구의 베이스 쪽으로 완전히 잠길 때까지 밀어 넣습니다.

회전방향 설정하기 (그림 D 참조)

회전방향 선택 스위치 7으로 기기의 회전 방향을 선택할 수 있습니다. 그러나 전원 스위치 8이 눌러진 상태에서는 작동이 불가능합니다.

정회전: 나사못을 끼우거나 너트를 조이는 작업을 하려면 회전방향 선택 스위치 7을 왼쪽으로 끝까지 밀니다.

역회전: 나사못이나 너트를 느슨하게 하거나 푸는 작업을 하려면, 회전방향 선택 스위치 7을 오른쪽 끝까지 밀니다.

전원 스위치 작동

전동공구를 **작동하려면** 전원 스위치 8을 누르고 누른 상태를 유지하십시오.

전원 스위치 8을 살짝 누르거나 완전히 누르면 램프 9가 켜지므로 조명 상태가 좋지 않은 곳에서도 작업이 가능합니다.

전동공구의 **스위치를 끄려면** 전원 스위치 8을 놓으면 됩니다.

속도 조절

작동하고 있는 전동공구의 속도를 연속적으로 조절할 수 있는데, 전원 스위치 8을 어느 정도 세게 누르는가에 달려 있습니다.

전원 스위치 8을 살짝 누르면 저속으로 작동합니다. 세게 누르면 속도가 빨라집니다.

사용방법

▶ **전동공구의 스위치가 꺼진 상태에서만 나사못에 대십시오.** 회전하는 드릴 비트가 미끄러질 수 있습니다.

토크는 임팩트 시간에 따라 좌우됩니다. 도달한 최대 토크는 임팩트에 의해 나타난 각 토크에서 나온 결과입니다. 일반적으로 6-10 초 간의 임팩트 시간 후에 최대 토크에 달하게 됩니다. 이 시간이 지나면 고정 토크는 최소로 증가합니다.

임팩트 시간은 매 필요한 고정 토크에 따라 계산해야 합니다. 실제 정해진 고정 토크는 항상 토크 렌치로 확인해야 합니다.

경질, 스프링 혹은 연질 시트의 스크류작업

일련의 임팩트에 의해 나타난 토크를 측정하여 그래프로 표시하면 토크 커브 곡선이 생깁니다. 곡선의 높이는 달성할 수 있는 최대 토크이며, 경사 부위는 최대 토크에 달하는 시간을 나타냅니다.

토크의 기울기는 다음의 요소에 따라 달라집니다:

- 나사못 / 너트의 강도
- 받침대의 종류 (와셔, 판 스프링, 실)
- 고정하려는 작업물의 강도
- 스크류 / 볼트 연결 부위의 윤활 상태

이에 따라 기기를 다음과 같이 사용할 수 있습니다:

- **경질 시트**는 와셔를 사용하여 금속과 금속에 나사못 연결을 할 경우입니다. 이때 비교적 짧은 임팩트 시간 내에 최대 토크에 도달할 수 있습니다 (급경사 특성 곡선). 불필요하게 장시간 작업하는 것은 기기에 손상을 줄 뿐입니다.
- **스프링 시트**는 금속과 금속에 나사못 연결을 하는 경우로, 단지 스프링 와셔, 판 스프링, 원뿔형 스테드와 볼트/너트 혹은 연장 부품을 사용할 때입니다.
- **연질 시트**는 예를 들면 금속을 목재에 나사못 연결을 하는 경우나 혹은 납이나 섬유로 된 와셔를 기본 받침대로 사용하는 경우입니다.

스프링 시트나 연질 시트의 경우 최대 고정 토크는 경질 시트 경우 보다 낮습니다. 또한 임팩트 시간도 훨씬 오래 걸립니다.

최대 볼트 고정 토크 권장치

자료의 단위는 Nm 으로 응력 단면도에서 산출한 것임; 탄성 한계의 사용치 90 % (마찰 계수 $\mu_{\text{전체}} = 0.12$). 점검하기 위해 항상 고정 토크를 토크 렌치를 사용하여 확인해야 합니다 .

DIN 267 에 따른 강도 용 일반 볼트 급	고강도 볼트										
	3.6	4.6	5.6	4.8	6.6	5.8	6.8	6.9	8.8	10.9	12.9
M 6	2.71	3.61	4.52	4.8	5.42	6.02	7.22	8.13	9.7	13.6	16.2
M 8	6.57	8.7	11	11.6	13.1	14.6	17.5	19.7	23	33	39
M 10	13	17.5	22	23	26	29	35	39	47	65	78
M 12	22.6	30	37.6	40	45	50	60	67	80	113	135
M 14	36	48	60	65	72	79	95	107	130	180	215
M 16	55	73	92	98	110	122	147	165	196	275	330

참고

경질 작업 소재에 크고 긴 나사못을 끼우기 전에 , 나사산의 중심 직경으로 나사못 길이의 약 $2/3$ 에 해당하는 초기 드릴작업을 하는 게 좋습니다 .

주의 : 전동공구 안으로 아무런 금속성 부스러기가 들어가지 않도록 주의하십시오 .

벨트 고정클립

벨트 고정클립 4 로 이 전동공구를 벨트에 매달아 놓을 수 있습니다 . 그러면 두 손을 자유로이 사용할 수 있으며 어느 때나 이 전동공구를 사용할 수 있습니다 .

올바른 배터리의 취급 방법

배터리를 습기나 물이 있는 곳에 두지 마십시오 .

배터리를 0 ° C 에서 50 ° C 온도 범위에서만 저장하십시오 . 예를 들면 배터리를 여름에 자동차 안에 두지 마십시오 .

가끔 배터리의 통풍구를 부드럽고 깨끗한 마른 솔로 청소하십시오 .

충전 후 작동 시간이 현저하게 짧아지면 배터리의 수명이 다한 것이므로 배터리를 교환해야 합니다 .

처리에 관련된 지시 사항을 준수하십시오 .

보수 정비 및 서비스

보수 정비 및 유지

▶ 전동공구에 각종 작업 (보수 정비 및 액세서리 교환 등) 을 하거나 전동공구를 운반하거나 보관할 경우 배터리를 전동공구에서 빼십시오 . 실수로 전원 스위치가 작동하게 되면 상해를 입을 위험이 있습니다 .

▶ 안전하고 올바른 작동을 위하여 전동공구와 전동공구의 통풍구를 항상 깨끗이 하십시오 .

카본 브러시 교환하기 (그림 E 참조)

약 2 - 3 개월마다 카본 브러시의 길이를 확인해 보고 , 필요한 경우 양쪽 카본 브러시를 교환해 주십시오 .

반드시 양쪽 카본 브러시를 동시에 교환해 주어야 합니다 !

주의 : 보쉬사를 통해 구매한 귀하의 제품에 맞게 나온 카본 브러시만을 사용하십시오 .

- 적당한 스크류 드라이버를 사용하여 커버 뚜껑 16 을 풀어 줍니다 .
- 스프링 압력이 있는 카본 브러시 15 를 교환하고 다시 커버 뚜껑을 조입니다 .

세심한 제작과 검사에도 불구하고 전동공구가 불량한 경우가 있다면 보쉬 고객 지원본부나 가까운 보쉬 지정 전동공구 서비스 센터에 수리를 의뢰하십시오 .

문의 사항이 있거나 스페어 부품을 주문할 때 반드시 전동공구의 타입 표시판에 적힌 10 자리의 제품 번호를 알려 주십시오 .

보쉬 AS 및 고객 상담

보쉬는 귀하의 제품 및 수리에 관한 문의를 받고 있습니다 .

AS 센터 정보 및 제품에 대한 고객 상담은 하기 고객 콜센터 및 이메일 상담을 이용해주시기 바랍니다 .

고객 콜센터 : 080-955-0909

이메일 상담 :

Bosch-pt.hotline@kr.bosch.com

한국로버트보쉬 (주)

경기도 용인시 기흥구 보정동 298 번지

www.bosch-pt.co.kr

운반

포함되어 있는 리튬이온 배터리는 위험물 관련 규정을 따라야 합니다 . 사용자가 별도의 요구사항 없이 배터리를 직접 도로 상에서 운반할 수 있습니다 .


제 3 자를 통해 운반할 경우 (항공 운송이나 운송 회사 등) 포장과 표기에 관한 특별한 요구 사항을 준수해야 합니다 . 이 경우 발송 준비를 위해 위험물 전문가와 상담해야 합니다 .

표면이 손상되지 않은 배터리만을 사용하십시오 . 배터리의 접촉 단자면을 덮어 불인 상태로 내부에서 움직이지 않도록 배터리를 포장하십시오 .

또한 이와 관련한 국내 규정을 준수하십시오 .

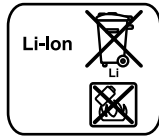
28 | ภาษาไทย

처리

 전동공구, 배터리, 액세스리 및 포장은 친환경적인 방법으로 재활용할 수 있도록 분류하십시오.

전동공구와 충전용 배터리 / 배터리를 가정용 쓰레기로 처리하지 마십시오!

충전용 배터리 / 배터리 :



Li-Ion:
“운반” 내용에 나와 있는 주의 사항을 준수하십시오, 27 면.

위 사항은 사전 예고 없이 변경될 수도 있습니다.

ภาษาไทย

กฎระเบียบเพื่อความปลอดภัย

คำเตือนทั่วไปเพื่อความปลอดภัยในการใช้เครื่องมือไฟฟ้า

⚠ คำเตือน ต้องอ่านคำเตือนเพื่อความปลอดภัยและคำสั่งทั้งหมด การไม่ปฏิบัติตามคำเตือนและคำสั่งอาจเป็นสาเหตุให้ถูกไฟฟ้าดูด เกิดไฟไหม้ และ/หรือได้รับบาดเจ็บอย่างร้ายแรง

เก็บรักษาคำเตือนและคำสั่งทั้งหมดสำหรับเปิดอ่านในภายหลัง

คำว่า “เครื่องมือไฟฟ้า” ในคำเตือนหมายถึง เครื่องมือไฟฟ้าของทำงานที่ทำงานด้วยพลังงานไฟฟ้าที่ต่อจากเต้าเสียบ (มีสายไฟฟ้า) และเครื่องมือไฟฟ้าที่ทำงานด้วยพลังงานไฟฟ้าจากแบตเตอรี่ (ไร้สาย)

ความปลอดภัยในสถานที่ทำงาน

- ▶ รักษาสถานที่ทำงานให้สะอาดและมีไฟส่องสว่างดี สถานที่ที่มีมืดหรือรกรุงรังนำมาซึ่งอุบัติเหตุ
- ▶ อย่าใช้เครื่องมือไฟฟ้าในสภาพแวดล้อมที่เสี่ยงต่อการติดระเบิดได้ เช่น ในที่มีขงเหลว แก๊ส หรือฝุ่นที่ติดไฟได้ เมื่อใช้เครื่องมือไฟฟ้าจะเกิดประกายไฟซึ่งอาจจุดฝุ่นหรือไอให้ลุกเป็นไฟได้
- ▶ ขณะใช้เครื่องมือไฟฟ้าทำงาน ต้องกันเด็กและผู้ยืนดูให้ອອกห่าง การหันเหความสนใจอาจทำให้ท่านขาดการควบคุมเครื่องได้

ความปลอดภัยเกี่ยวกับไฟฟ้า

- ▶ ปลั๊กของเครื่องมือไฟฟ้าต้องมีขนาดพอดีกับเต้าเสียบ อย่าตัดแปลงหรือแก้ไขตัวปลั๊กอย่างเด็ดขาด อย่าต่อปลั๊กต่อใดๆ เข้ากับเครื่องมือไฟฟ้าที่มีสายดิน ปลั๊กที่ไม่ตัดแปลงและเต้าเสียบที่เข้ากันช่วยลดความเสี่ยงจากการถูกไฟฟ้าดูด

- ▶ หลีกเลี่ยงไม่ให้ร่างกายสัมผัสกับพื้นผิวของสิ่งของที่ต่อสายดินไว้ เช่น ท่อ เครื่องทำความร้อน เตา และตู้เย็น จะเสี่ยงอันตรายจากการถูกไฟฟ้าดูดมากขึ้นหากกระแสไฟฟ้าวิ่งผ่านร่างกายของท่านลงดิน
- ▶ อย่าวางเครื่องมือไฟฟ้าตามฝาผนังหรือทิ้งไว้ในที่ชื้นและหากน้ำเข้าในเครื่องมือไฟฟ้า จะเพิ่มความเสี่ยงจากการถูกไฟฟ้าดูด
- ▶ อย่าใช้สายไฟฟ้ายาวผิดปกติ อย่าถือเครื่องมือไฟฟ้าที่สาย อย่าใช้สายขวนเคือง หรืออย่าดึงสายไฟฟ้าเพื่อถอดปลั๊กออกจากเต้าเสียบ กันสายไฟฟ้าออกห่างจากความร้อน น้ำมัน ขอบแหลมคม หรือส่วนของเครื่องที่กำลังเคลื่อนไหว สายไฟฟ้าที่ชำรุดหรือพันกันยุ่งเพิ่มความเสี่ยงจากการถูกไฟฟ้าดูด
- ▶ เมื่อใช้เครื่องมือไฟฟ้าทำงานกลางแจ้ง ให้ใช้สายไฟต่อที่ได้รับรองให้ใช้ต่อในที่กลางแจ้งเท่านั้น การใช้สายไฟต่อที่เหมาะสมสำหรับงานกลางแจ้งช่วยลดอันตรายจากการถูกไฟฟ้าดูด
- ▶ หากไม่สามารถหลีกเลี่ยงการใช้เครื่องมือไฟฟ้าทำงานในสถานที่เปียกชื้นได้ ให้ใช้วิธีตัดวงจรเมื่อเกิดการรั่วไหลของไฟฟ้าจากสายดิน การใช้ลิวิตซ์ตัดวงจรเมื่อเกิดการรั่วไหลของไฟฟ้าจากสายดินช่วยลดความเสี่ยงต่อการถูกไฟฟ้าดูด

ความปลอดภัยของบุคคล

- ▶ ท่านต้องอยู่ในสภาพเตรียมพร้อม ระวังระวังในสิ่งที่กำลังทำอยู่ และมีสติขณะใช้เครื่องมือไฟฟ้าทำงาน อย่าใช้เครื่องมือไฟฟ้าขณะที่ท่านกำลังเหนื่อย หรืออยู่ภายใต้การครอบงำของฤทธิ์ของยาเสพติด แอลกอฮอล์ และยา เมื่อใช้เครื่องมือไฟฟ้าทำงาน ในชัวนาที่ท่านขาดความเอาใจใส่อาจทำให้บุคคลบาดเจ็บอย่างรุนแรงได้
- ▶ ใช้อุปกรณ์ปกป้องร่างกาย สวมแว่นตาป้องกันแสงมอ อุปกรณ์ปกป้อง เช่น หน้ากากกันฝุ่น รองเท้ากันลื่น หมวกแข็ง หรือประทุนกันเสียงดัง ที่เลือกใช้ตามความเหมาะสมกับสภาพการทำงาน สามารถลดอันตรายต่อบุคคลได้
- ▶ ป้องกันการติดเครื่องโดยไม่ตั้งใจ ต้องดูให้แน่ใจว่าสวิทซ์อยู่ในตำแหน่งปิดก่อนเสียบปลั๊กไฟเข้าในเต้าเสียบ และ/หรือใส่แท่งเบตเตอรี่ ยกขึ้นหรือถือเครื่องมือ การถือเครื่องโดยใช้นิ้วหัวที่สวิทซ์ หรือเสียบปลั๊กไฟฟ้าขณะสวิทซ์เปิดอยู่ อาจนำไปสู่อุบัติเหตุที่ร้ายแรงได้
- ▶ เอาเครื่องมือปรับแต่งหรือประแจปากคายนอกจากเครื่องมือไฟฟ้าก่อนเปิดสวิทซ์ เครื่องมือหรือประแจปากคายนที่วางอยู่กับส่วนของเครื่องที่กำลังหมุนจะทำให้บุคคลบาดเจ็บได้
- ▶ หลีกเลี่ยงการตั้งท่าที่ผิดปกติ ตั้งท่ายืนที่มั่นคงและวางน้ำหนักให้สมดุลตลอดเวลา ในลักษณะนี้ท่านสามารถควบคุมเครื่องมือไฟฟ้าในสถานการณ์ที่ไม่คาดคิดได้ดีกว่า
- ▶ ใช้เสื้อผ้าที่เหมาะสม อย่าใส่เสื้อผ้าหลวมหรือสวมเครื่องประดับ เอาหมว เสื้อผ้า และถุงมือออกห่างส่วนของเครื่องที่กำลังหมุน เสื้อผ้าหลวม เครื่องประดับ และผมยาวอาจเข้าไปติดในส่วนของเครื่องที่กำลังหมุนได้

- ▶ หากต้องต่อเครื่องมือไฟฟ้าเข้ากับเครื่องดูดฝุ่นหรือเครื่องเก็บผง ดูให้แน่ใจว่าการเชื่อมต่อและการใช้งานเป็นไปอย่างถูกต้อง การใช้อุปกรณ์ดูดฝุ่นช่วยลดอันตรายที่เกิดจากฝุ่นได้

การใช้และการดูแลรักษาเครื่องมือไฟฟ้า

- ▶ **อย่าใช้เครื่องมือไฟฟ้าอย่างหักโหม ใช้เครื่องมือไฟฟ้าที่ถูกต้องตรงตามลักษณะงาน** เครื่องมือไฟฟ้าที่ถูกต้องจะทำงานได้ดีกว่าและปลอดภัยกว่าในระดับสมรรถภาพที่ออกแบบไว้
- ▶ **อย่าใช้เครื่องมือไฟฟ้าที่สวิตช์เปิดปิดเสีย** เครื่องมือไฟฟ้าที่ไม่สามารถควบคุมการเปิดปิดด้วยสวิตช์ได้ เป็นเครื่องมือไฟฟ้าที่ไม่ปลอดภัยและต้องส่งซ่อมแซม
- ▶ **ก่อนปรับแต่งเครื่อง เปลี่ยนอุปกรณ์ประกอบ หรือเก็บเครื่องเข้าที่ ต้องถอดปลั๊กไฟออกจากเต้าเสียบและ/หรือถอดแท่งแบตเตอรี่ออกจากเครื่องมือไฟฟ้า** มาตรการป้องกันเพื่อความปลอดภัยนี้ช่วยลดความเสี่ยงจากการตัดเครื่องโดยไม่ได้ตั้งใจ
- ▶ **เมื่อเลิกใช้งานเครื่องมือไฟฟ้า ให้เก็บเครื่องไว้ในที่ที่เด็กหยิบไม่ถึง และไมอนุญาตให้บุคคลที่ไม่คุ้นเคยกับเครื่องหรือบุคคลที่ไม่ได้อ่านคำแนะนำนี้ใช้เครื่องมือไฟฟ้า** เป็นของอันตรายหากตกอยู่ในมือของผู้ใช้ที่ไม่ได้รับการฝึกฝน
- ▶ **เอาใจใส่ดูแลรักษาเครื่อง** ตรวจสอบหาส่วนที่เคลื่อนไหวได้ของเครื่องว่าวางอยู่ตรงแนวหรือติดขัดหรือไม่ ตรวจสอบหาการแตกหักของชิ้นส่วนและสภาพอื่นใดที่อาจมีผลต่อการทำงานของเครื่องมือไฟฟ้า หากชำรุดต้องส่งเครื่องมือไฟฟ้าซ่อมแซมก่อนใช้งาน อุบัติเหตุหลายอย่างเกิดขึ้นเนื่องจากดูแลรักษาเครื่องไม่ดีพอ
- ▶ **รักษาเครื่องมือตัดให้คมและสะอาด** หากบำรุงรักษาเครื่องมือที่มีขอบตัดแหลมคมอย่างถูกต้อง จะสามารถตัดได้ลื่นไม่ติดขัดและควบคุมได้ง่ายกว่า
- ▶ **ใช้เครื่องมือไฟฟ้า อุปกรณ์ประกอบ เครื่องมือ และอุปกรณ์อื่นๆ ให้ตรงตามคำแนะนำนี้ และในลักษณะตามที่เครื่องมือไฟฟ้าประเภทนั้นๆ กำหนดไว้** โดยต้องคำนึงถึงเงื่อนไขการทำงานและงานที่จะทำด้วย การใช้เครื่องมือไฟฟ้าทำงานที่ต่างไปจากวัตถุประสงค์การใช้งานของเครื่อง อาจนำไปสู่สถานการณ์ที่เป็นอันตรายได้

การใช้และการดูแลรักษาเครื่องที่ใช้แบตเตอรี่

- ▶ **ชาร์จแบตเตอรี่ด้วยเครื่องชาร์จที่บริษัทผู้ผลิตระบุไว้เท่านั้น** เครื่องชาร์จที่เหมาะสมสำหรับชาร์จแบตเตอรี่ประเภทหนึ่ง หากนำไปชาร์จแบตเตอรี่ประเภทอื่น อาจเกิดไฟไหม้ได้
- ▶ **ใช้แบตเตอรี่เฉพาะประเภทที่เครื่องมือไฟฟ้ากำหนดให้ใช้ได้** การใช้แบตเตอรี่ประเภทอื่นเสี่ยงต่อการเกิดไฟไหม้หรือบาดเจ็บ
- ▶ **เมื่อไม่ใช้แบตเตอรี่ ให้เก็บแบตเตอรี่ไว้ห่างไกลวัตถุอื่นๆ เช่น คลิปหนีบกระดาษ เหรียญ กุญแจ ตะปู สกรู หรือโลหะวัตถุขนาดเล็กอื่นๆ ที่สามารถต่อขั้วหนึ่งไปยังอีกขั้วหนึ่งได้** การลัดวงจรของขั้วแบตเตอรี่อาจทำให้เกิดการไหม้หรือไฟลุกได้

- ▶ **เมื่อใช้แบตเตอรี่ชนิดรีซิวิล์ อาจมีของเหลวไหลออกมาจากแบตเตอรี่ได้** ให้หลีกเลี่ยงการสัมผัสของเหลว หากสัมผัสโดยบังเอิญ ให้ใช้น้ำล้าง หากของเหลวเข้าตาให้ขอความช่วยเหลือจากแพทย์ด้วย ของเหลวที่ไหลออกมาจากแบตเตอรี่อาจทำให้เกิดอาการคันหรือแสบผิวหนังได้

การบริการ

- ▶ **ส่งเครื่องมือไฟฟ้าให้ช่างผู้เชี่ยวชาญตรวจสอบและใส่อะไหล่เปลี่ยนของแท้เท่านั้น** ในลักษณะนี้ท่านจะแน่ใจได้ว่าเครื่องมือไฟฟ้าอยู่ในสภาพที่ปลอดภัย

คำเตือนเพื่อความปลอดภัยสำหรับไขควงกระแสเทก

- ▶ **เมื่อทำงานในบริเวณที่สกรูอาจสัมผัสกับสายไฟฟ้าที่ซ่อนอยู่** ต้องจับเครื่องมือไฟฟ้าตรงตำแหน่งที่หุ้มฉนวน หากสกรูสัมผัสกับสายที่มีกระแสไฟฟ้าไหลผ่านจะทำให้ส่วนที่เป็นโลหะของเครื่องมือไฟฟ้าเกิดมีกระแสไฟฟ้าด้วย และส่งผลให้ผู้ใช้อุปกรณ์ถูกไฟฟ้าดูดได้
 - ▶ **ยึดชิ้นงานให้แน่น** การยึดชิ้นงานด้วยเครื่องมือหนีบหรือแท่นจับจะมั่นคงกว่าการยึดด้วยมือ
 - ▶ **ก่อนวางเครื่องลงบนพื้นทกรูต้องรอให้เครื่องหยุดนิ่งอยู่กับที่เสมอ** มิฉะนั้นเครื่องมือที่ใส่อยู่อาจติดขัดและนำไปสู่การสูญเสียการควบคุมเครื่องมือไฟฟ้า
 - ▶ **อย่าเปิดแบตเตอรี่ด้วยตนเอง** อันตรายจากการลัดวงจร
-
- ปกป้องแบตเตอรี่จากความร้อน** ต. ย. เช่น จากแสงแดดจำที่ส่องอย่างต่อเนื่อง ไฟ น้ำ และความชื้น อันตรายจากการระเบิด
- ▶ **ในกรณีที่ใช้แบตเตอรี่ชาร์จและใช้แบตเตอรี่อย่างไม่ถูกต้อง อาจมีไอระเหยออกมา** ให้สูดอากาศบริสุทธิ์และหาแพทย์ในกรณีเจ็บปวด ไอระเหยอาจทำให้ระบบหายใจระคายเคือง
 - ▶ **ใช้แบตเตอรี่เฉพาะกับเครื่องมือไฟฟ้า บ็อกซ์ ของท่านเท่านั้น** การกระทำเช่นนั้นที่ท่านนี้จะช่วยปกป้องแบตเตอรี่จากการถูกใช้งานเกินพิกัดซึ่งเป็นอันตราย
 - ▶ **ใช้เฉพาะแบตเตอรี่ของแท้ของ บ็อกซ์ ที่มีแรงดันไฟฟ้าที่ระบบไว้บนแผ่นป้ายรุ่นของเครื่องมือไฟฟ้าของท่านเท่านั้น** หากใช้แบตเตอรี่ประเภทอื่น ต. ย. เช่น แบตเตอรี่ที่ลอกเลียนแบบ ซ่อมปรับปรุง หรือแบตเตอรี่ยี่ห้ออื่น จะเกิดอันตรายทำให้ร่างกายบาดเจ็บและทรัพย์สินเสียหายจากการระเบิดของแบตเตอรี่ได้

รายละเอียดผลิตภัณฑ์และข้อมูลจำเพาะ



ต้องอ่านคำเตือนเพื่อความปลอดภัยและคำสั่งทั้งหมด การไม่ปฏิบัติตามคำเตือนและคำสั่งอาจเป็นสาเหตุให้ถูกไฟฟ้าดูด เกิดไฟไหม้ และ/หรือได้รับบาดเจ็บอย่างร้ายแรง

ประโยชน์การใช้งานของเครื่อง

เครื่องนี้ใช้สำหรับขันสกรูและโบลต์เข้าและคลายออก รวมทั้งขันน็อตให้ตึงและคลายให้หลวม ตามขนาดของสกรู โบลต์ และน็อต ที่ให้ไว้

30 | ภาษาไทย

ส่วนประกอบผลิตภัณฑ์

ลำดับเลขของส่วนประกอบผลิตภัณฑ์อ้างอิงถึงส่วนประกอบของเครื่องที่แสดงในหน้าภาพประกอบ

- 1 ตามจับเครื่องมือ
- 2 ปลอกสำหรับลอค
- 3 สายหัว
- 4 คลิปเข็มขัด*
- 5 แบริดเดอร์แพ็ค*
- 6 แป้นปลดลอคแบดเดอร์*
- 7 สวิตช์เปลี่ยนทิศทางการหมุน
- 8 สวิตช์เปิด-ปิด

9 หลอดไฟ "Power Light"

- 10 ตามจับ (พื้นผิวจับหุ้มฉนวน)
- 11 ดอกไขควงที่มีปลายจับเป็นก้อนกลม*
- 12 ตามจับดอกทั่วไป*
- 13 ดอกไขควง*
- 14 เครื่องมือ (ด.ย. เช่น ลูกบ็อกซ์กระทะ)*
- 15 แปร่งถ่าน
- 16 ฝาครอบ

*อุปกรณ์ประกอบที่แสดงหรือระบุไม่รวมอยู่ในการจัดส่งมาตรฐาน กรุณาดูอุปกรณ์ประกอบทั้งหมดในรายการแสดงอุปกรณ์ประกอบของเรา

ข้อมูลทางเทคนิค

ไขควงกระทะไร้สาย		GDR 14,4 V-LI	GDR 18 V-LI
หมายเลขสินค้า		3 601 JA1 4..	3 601 JA1 3..
แรงดันไฟฟ้ากำหนด	V=	14.4	18
ความเร็วรอบเดินตัวเปล่า	รอบ/นาที	0 - 2800	0 - 2800
อัตรากระทะ	รอบ/นาที	0 - 3200	0 - 3200
แรงบิดสูงสุด การขันสกรูแบบแข็งตาม ISO 5393	Nm	150*	160*
ขนาดของโบลท์	มม.	M6 - M14	M6 - M14
ตามจับเครื่องมือ		¼" ทกเหลี่ยมสวมด้านใน	¼" ทกเหลี่ยมสวมด้านใน
น้ำหนักตามระเบียบการ-EPTA-Procedure 01:2014	กก.	1.4 - 1.7*	1.5 - 1.9*
ไขควงกระทะไร้สาย		GDS 14,4 V-LI	GDS 18 V-LI
หมายเลขสินค้า		3 601 JA1 T..	3 601 JA1 S..
แรงดันไฟฟ้ากำหนด	V=	14.4	18
ความเร็วรอบเดินตัวเปล่า	รอบ/นาที	0 - 2800	0 - 2800
อัตรากระทะ	รอบ/นาที	0 - 3200	0 - 3200
แรงบิดสูงสุด การขันสกรูแบบแข็งตาม ISO 5393	Nm	170*	180*
ขนาดของโบลท์	มม.	M6 - M16	M6 - M16
ตามจับเครื่องมือ		■ ½"	■ ½"
น้ำหนักตามระเบียบการ-EPTA-Procedure 01:2014	กก.	1.4 - 1.7*	1.5 - 1.9*
ไขควงกระทะไร้สาย		GDX 14,4 V-LI	GDX 18 V-LI
หมายเลขสินค้า		3 601 JB8 0..	3 601 JB8 1..
แรงดันไฟฟ้ากำหนด	V=	14.4	18
ความเร็วรอบเดินตัวเปล่า	รอบ/นาที	0 - 2800	0 - 2800
อัตรากระทะ	รอบ/นาที	0 - 3200	0 - 3200
แรงบิดสูงสุด การขันสกรูแบบแข็งตาม ISO 5393	Nm	150*	160*
- ¼" ทกเหลี่ยมสวมด้านใน	Nm	170	180
- ■ ½"			
*ขึ้นอยู่กับแบดเดอร์แพ็คที่ใช้			

ไซควงกระแทกไร้สาย		GDX 14,4 V-LI	GDX 18 V-LI
ขนาดของโบลต์	มม.	M6 – M16	M6 – M16
ด้ามจับเครื่องมือ		¼" ทกเหลี่ยมสวมด้านใน/■ ½"	¼" ทกเหลี่ยมสวมด้านใน/■ ½"
น้ำหนักตามระเบียบการ-EPTA-Procedure 01:2014	กก.	1.5 - 1.7*	1.5 - 2.0*

*ขึ้นอยู่กับแบตเตอรี่ที่ใช้

การประกอบ

การชาร์จแบตเตอรี่

- ▶ ใช้เฉพาะเครื่องชาร์จแบตเตอรี่ตามรายการในหน้าอุปกรณ์ประกอบเท่านั้น เฉพาะเครื่องชาร์จแบตเตอรี่เหล่านี้เท่านั้นที่เข้าชุดกับแบตเตอรี่ลิเธียม ไอออน ของเครื่องมือไฟฟ้าของท่าน

หมายเหตุ: แบตเตอรี่ที่จัดส่งได้รับการชาร์จไฟไว้บ้างแล้ว เพื่อให้แบตเตอรี่ทำงานได้เต็มประสิทธิภาพ ต้องชาร์จแบตเตอรี่ในเครื่องชาร์จแบตเตอรี่ให้เต็มก่อนใช้งานเครื่องมือไฟฟ้าของท่านเป็นครั้งแรก

แบตเตอรี่ลิเธียม ไอออน สามารถชาร์จได้ตลอดเวลาโดยอายุการใช้งานจะไม่ลดลง การชาร์จทิ้งไว้จะบวมการชาร์จไม่ทำให้แบตเตอรี่เสียหาย

"Electronic Cell Protection (ECP)" ป้องกันไม่ให้อิเล็กตรอน Li-ion จ่ายกระแสไฟฟ้ออกอีก เมื่อแบตเตอรี่หมดไฟ วงจรป้องกันจะดับสวิทช์เครื่อง เครื่องมือที่ใส่อยู่จะไม่หมุนต่อ

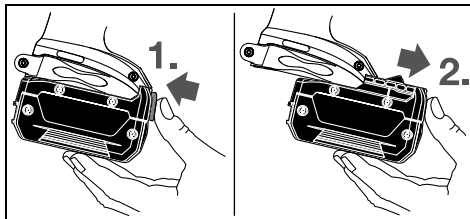
- ▶ หลังจากเครื่องดับสวิทช์โดยอัตโนมัติ อย่างดสวิทช์เปิด-ปิดต่อ แบตเตอรี่อาจเสียหายได้

แบตเตอรี่มีระบบควบคุมอุณหภูมิ NTC ประกอบอยู่ด้วย ระบบควบคุมนี้จะอนุญาตให้ชาร์จได้ที่อุณหภูมิระหว่าง 0 ถึง 45 องศาเซลเซียสเท่านั้น ในลักษณะนี้แบตเตอรี่จะมีอายุการใช้งานยืนยาว

อ่านและปฏิบัติตามข้อสังเกตสำหรับการกำจัดขยะ

การถอดแบตเตอรี่

แบตเตอรี่ 5 มีสองระดับการล็อคซึ่งจะป้องกันแบตเตอรี่ไม่ให้หล่นออกมาเมื่อแป้นปลดล็อคแบตเตอรี่ 6 ถูกกดโดยไม่ตั้งใจ เมื่อแบตเตอรี่ถูกบรรจุอยู่ในเครื่องมือไฟฟ้า สวิตช์จะยึดแบตเตอรี่ให้เข้าตำแหน่ง



ถอดแบตเตอรี่ 5 ออกโดยกดแป้นปลดล็อค 6 และเอาแบตเตอรี่ออกโดยดึงมาด้านหน้า **อย่าใช้กำลังดึง**

การเปลี่ยนเครื่องมือ (ดูภาพประกอบ A-C)

- ▶ ก่อนปรับแต่งเครื่อง (ต. ย. เช่น เมื่อบำรุงรักษา เปลี่ยนเครื่องมือ และอื่นๆ) และขณะขนย้ายและเก็บเครื่องเข้าที่ ให้ถอดแบตเตอรี่ออกจากเครื่องมือไฟฟ้า อันตรายจากการบาดเจ็บหากสวิทช์เปิด-ปิดติดขึ้นอย่างไม่ตั้งใจ
- ▶ ทำความสะอาดของระบวยานอากาศของเครื่องมือไฟฟ้าอย่างสม่ำเสมอ พัดลมของมอเตอร์จะดูดผงฝุ่นเข้าในหม้อครอบ และผงโลหะที่พอกสะสมกันมาก อาจทำให้เกิดอันตรายจากไฟฟ้าได้

GDR 14,4 V-LI/GDR 18 V-LI/GDX 14,4 V-LI/GDX 18 V-LI:

การใส่

ดึงปลอกสำหรับล๊อค 2 ไปข้างหน้า ดันเครื่องมือเข้าในด้ามจับเครื่องมือ 1 และปลดปลอกจากปลอกสำหรับล๊อค 2 เพื่อล๊อคเครื่องมือที่ใส่เข้าไป

ใช้เฉพาะดอกไขควงที่มีปลายจับเป็นกอนกลม 11 (DIN 3126-E6.3) เท่านั้น สำหรับดอกไขควงประเภทอื่น 13 ท่านสามารถต่อเข้ากับด้ามจับดอกไขควงที่มีปลายจับเป็นกอนกลม 12

การถอด

ดึงปลอกสำหรับล๊อค 2 ไปข้างหน้า และถอดเครื่องมือที่ใส่อยู่ออกมา

GDS 14,4 V-LI/GDS 18 V-LI/GDX 14,4 V-LI/GDX 18 V-LI:

- ▶ เมื่อใช้เครื่องมือทำงาน ต้องดูให้เครื่องมือเชื่อมต่อนับตามจับเครื่องมืออย่างแน่นหนา หากเครื่องมือไม่ถูกเชื่อมต่อกับด้ามจับเครื่องมืออย่างแน่นหนา เครื่องมืออาจหลุดออกมาระหว่างการใช้งาน

เลื่อนเครื่องมือ 14 สวมบนตัวจับทรงสี่เหลี่ยมของด้ามจับเครื่องมือ 1

อย่างไรก็ตามขึ้นอยู่กับระบบ ในกรณีที่เครื่องมือ 14 วางโยกไปมาอยู่บนด้ามจับเครื่องมือ 1 หลังจากได้เชื่อมต่ออย่างแน่นหนาแล้ว; ลักษณะนี้ไม่มีผลต่อการทำงาน/ความปลอดภัย

การปฏิบัติงาน

วิธีปฏิบัติงาน

ด้ามจับเครื่องมือ 1 พร้อมเครื่องมือหมุนได้ด้วยมอเตอร์ไฟฟ้าโดยผ่านเกียร์และกลไกกระแทก

กระบวนการทำงานแบ่งออกเป็นสองขั้นตอน:

การขันสกรูเข้า และ การขันให้แน่น (กลไกกระแทกทำงาน)

32 | ภาษาไทย

กลไกกระแทกจะถูกกระตุ้นในทันทีที่ชั้นสกรูติดสนิทในชิ้นงานแล้ว และด้วยเหตุนี้มอเตอร์จึงถูกโหลด ในขั้นตอนนี้กลไกกระแทกจะเปลี่ยนพลังงานมอเตอร์เป็นการกระแทกหมุนอย่างสม่ำเสมอ เมื่อคลายสกรูหรือนอตออก ให้ทำตามลำดับย้อนหลัง

เริ่มต้นปฏิบัติงาน

การใส่แบตเตอรี่

▶ ใช้เฉพาะแบตเตอรี่ลิเธียม ไอออน ของแท้ของ มอซที่มีแรงดันไฟฟ้าตามที่ระบุไว้บนแผ่นป้ายติดของเครื่องมือไฟฟ้าของท่านเท่านั้น การใช้แบตเตอรี่ประเภทอื่นอาจทำให้ได้รับบาดเจ็บและเสี่ยงต่อการเกิดไฟไหม้

ตั้งสวิตช์เปลี่ยนทิศทางการหมุน 7 ไว้ตำแหน่งกลางเพื่อป้องกันไม่ให้เครื่องมือไฟฟ้าสตาร์ทขึ้นโดยไม่ตั้งใจ

ดันแบตเตอรี่ที่ชาร์จแล้ว 5 จากด้านหน้าเข้าในฐานของเครื่องมือไฟฟ้าจนแบตเตอรี่เข้าล็อกอย่างมั่นคง

การกลับทิศทางการหมุน (ดูภาพประกอบ D)

สวิตช์เปลี่ยนทิศทางการหมุน 7 ใช้สำหรับกลับทิศทางการหมุนของเครื่อง อย่างไรก็ตาม หากกดสวิตช์เปิด-ปิด 8 อยู่ จะกลับทิศทางการหมุนไม่ได้

การหมุนทางขวา: สำหรับการขันสกรูเข้าและขันนอตให้แน่น ให้กดสวิตช์เปลี่ยนทิศทางการหมุน 7 ไปทางซ้ายจนสุด

การหมุนทางซ้าย:

สำหรับการคลายและขันสกรูและนอตออก ให้กดสวิตช์เปลี่ยนทิศทางการหมุน 7 ไปทางขวาจนสุด

การเปิด-ปิดเครื่อง

เปิดเครื่องทำงานโดยกดสวิตช์เปิด-ปิด 8 และกดค้างไว้ หลอดไฟ 9 จะติดขึ้นเมื่อกดสวิตช์เปิด-ปิด 8 เข้าเพียงเล็กน้อยหรือกดจนมืด และบริเวณทำงานจะส่องสว่างเมื่อตรงนั้นมีสภาพแสงที่ไม่ดี

ปิดเครื่องโดยปล่อยนิ้วจากสวิตช์เปิด-ปิด 8

การปรับความเร็วรอบ

ความเร็วรอบของเครื่องมือไฟฟ้าที่เปิดทำงานสามารถปรับเปลี่ยนได้ตามแรงกดมากน้อยบนสวิตช์เปิด-ปิด 8

การกดสวิตช์เปิด-ปิด 8 เมาจะไ้ความเร็วรอบต่ำ การกดสวิตช์แรงยิ่งขึ้นจะไ้ความเร็วรอบสูงขึ้น

ค่าอ้างอิงสำหรับแรงบิดสูงสุดในการขันสกรู/โบล์ท

คำนวณจากรูปตัดแรงเค้น; การใช้ให้เป็นประโยชน์ของจุดล้ากำลังของโลหะ 90 % (สัมประสิทธิ์ของแรงเสียดทาน $\mu_{\text{total}} = 0.12$) สำหรับการควบคุม ให้ตรวจสอบแรงบิดขั้นต่ำด้วยประแจกระบอกที่มีเครื่องวัดแรงบิดเสมอ

ระดับคุณสมบัติตาม DIN 267	สกรู/โบล์ทมาตรฐาน								โบล์ทความแข็งแรงสูง			
	3.6	4.6	5.6	4.8	6.6	5.8	6.8	6.9	8.8	10.9	12.9	
M 6	2.71	3.61	4.52	4.8	5.42	6.02	7.22	8.13	9.7	13.6	16.2	
M 8	6.57	8.7	11	11.6	13.1	14.6	17.5	19.7	23	33	39	
M 10	13	17.5	22	23	26	29	35	39	47	65	78	
M 12	22.6	30	37.6	40	45	50	60	67	80	113	135	
M 14	36	48	60	65	72	79	95	107	130	180	215	
M 16	55	73	92	98	110	122	147	165	196	275	330	

ข้อแนะนำในการทำงาน

▶ **จับเครื่องมือไฟฟ้าข้ามหน้าสกรู/นอตเมื่อเครื่องปิดอยู่เท่านั้น** เครื่องมือที่หมุนอยู่อาจลื่นไถล

แรงบิดขึ้นอยู่กับระยะเวลากระแทก แรงบิดสูงสุดที่ได้เป็นผลจากยอตรวมของแต่ละแรงบิดที่ได้จากการกระแทก จะไ้แรงบิดสูงสุดหลังจากกระแทกไปได้ 6-10 วินาที หลังช่วงเวลาไ้ แรงบิดจะเพิ่มขึ้นเพียงเล็กน้อยเท่านั้น

ต้องกำหนดระยะเวลากระแทกสำหรับทุกๆ แรงบิดที่ไ้ ต้องการตรวจสอบแรงบิดที่ไ้จริงด้วยประแจกระบอกที่มีเครื่องวัดแรงบิดเสมอ

การขันสกรูแบบแข็ง แบบยึดหยุ่น หรือแบบนุ่ม

ในการทดสอบ แรงบิดที่ไ้จากการกระแทกเป็นลำดับติดต่อกันจะถูกลดและโอนเข้าแผนภาพ ซึ่งจะแสดงผลเป็นเส้นโค้งของลักษณะเฉพาะของแรงบิด ระดับความสูงของเส้นโค้งคือแรงบิดสูงสุดที่ไ้ถึงไ้ และระดับความชันแสดงระยะเวลาที่ไ้ถึงแรงบิดสูงสุด

ความลาดของแรงบิดขึ้นอยู่กับปัจจัยต่อไปนี้:

- คุณสมบัติความแข็งแรงของสกรู/นอต
- ชนิดของตัวเสริม (ประเก็นวงแหวน สปริงแผ่น แผ่นซีล)
- คุณสมบัติความแข็งแรงของวัสดุที่จะขันสกรู/โบล์ทเข้าไป
- สภาพการหล่อลื่นน้ำมันตรงรอยต่อระหว่างสกรู/โบล์ทและวัสดุที่ขันเข้าไป

เนื่องด้วยปัจจัยดังกล่าวข้างต้น จึงมีการขันแบบต่างๆ กันต่อไปนี้:

- **การขันแบบแข็ง** เกิดขึ้นในกรณีที่โลหะอยู่บนโลหะและใช้ประเก็นวงแหวน หลังใช้เวลาระเบิดช่วงสั้นๆ ก็ไ้แรงบิดสูงสุด (เส้นโค้งมีลักษณะลาดชัน) การกระแทกเป็นเวลานานโดยไม่จำเป็นจะทำให้เครื่องชำรุดเสียหายเท่านั้น
- **การขันแบบยึดหยุ่น** เกิดขึ้นในกรณีที่โลหะอยู่บนโลหะ หากแต่ใช้วงแหวนสปริง สปริงแผ่น ตะปูหัวใหญ่หรือสกรู/นอตที่มีก้นรูปกรวย และเมื่อใช้ส่วนประกอบเพิ่มเติม
- **การขันแบบนุ่ม** เกิดขึ้นในกรณีที่ขันสกรู ต. ย. เช่น โลหะอยู่บนไม้ หรือเมื่อใช้ประเก็นวงแหวนตะกั่ว หรือประเก็นวงแหวนไฟเบอร์เป็นตัวเสริม

แรงบิดสูงสุดของการขันแบบยึดหยุ่นและแบบนุ่มจะต่ำกว่าแรงบิดขั้นต่ำสูงสุดของการขันแบบแข็ง และยังต้องการระยะเวลากระแทกที่ยาวนานกว่าอย่างเห็นได้ชัดอีกด้วย

คำแนะนำ

ขอแนะนำให้เจาะรูก่อนขันสกรูขนาดใหญ่หรือยาวเข้าในชิ้นงานที่เป็นวัสดุแข็ง โดยเจาะลึกประมาณ $\frac{2}{3}$ ของความยาวสกรู

หมายเหตุ: ระวังอย่าให้ผงโลหะเข้าในเครื่องมือไฟฟ้า

คลิปเข็มขัด

คลิปเข็มขัด 4 ใช้สำหรับแขวนเครื่องเข้ากับเข็มขัด ผู้ใช้จะมีมือใช้งานอิสระได้ทั้งสองข้าง และสามารถหยิบจับเครื่องได้ตลอดเวลา

ข้อแนะนำในการปฏิบัติต่อแบตเตอรี่อย่างเหมาะสมที่สุด

ปกป้องแบตเตอรี่จากความชื้นและน้ำ

เก็บแบตเตอรี่ไว้ในที่อุณหภูมิระหว่าง 0 °C และ 50 °C เท่านั้น ตัวอย่าง เช่น ต้องไม่ทิ้งแบตเตอรี่ไว้ในรถยนต์ในฤดูร้อน

ทำความสะอาดช่องระบายอากาศเป็นครั้งคราวโดยใช้แปรงขนอ่อนที่แห้งและสะอาด

หลังจากชาร์จแบตเตอรี่แล้ว หากแบตเตอรี่มีช่วงเวลาทำงานสั้นมาก แสดงว่าแบตเตอรี่เสื่อมและต้องเปลี่ยนใหม่ อ่านและปฏิบัติตามข้อสังเกตสำหรับการกำจัดขยะ

การบำรุงรักษาและการบริการ**การบำรุงรักษาและการทำความสะอาด**

- ▶ **ก่อนปรับแต่งเครื่อง (ต. ย. เช่น เมื่อบำรุงรักษา เปลี่ยนเครื่องมือ และอื่นๆ) และขณะขนย้ายและเก็บเครื่อง** เข้าที่ ให้ถอดแบตเตอรี่ออกจากเครื่องมือไฟฟ้า อันตรายนจากการบาดเจ็บหากลิวทิกซ์เปิด-ปิดติดขึ้นอย่างไม่ตั้งใจ
- ▶ **เพื่อให้ทำงานได้อย่างถูกต้องและปลอดภัย ต้องรักษาเครื่องและช่องระบายอากาศให้สะอาดอยู่เสมอ**

การเปลี่ยนแปรงถ่าน (คุณภาพประกอบ E)

ตรวจสอบความยาวของแปรงถ่านประมาณทุกๆ 2 - 3 เดือน และเปลี่ยนแปรงถ่านใหม่ หากจำเป็น

อย่าเปลี่ยนแปรงถ่านเพียงแห่งเดียวอย่างเด็ดขาด!

หมายเหตุ: ใช้เฉพาะแปรงถ่านที่ บอช จัดส่งและเจาะจงเตรียมไว้สำหรับผลิตภัณฑ์ของท่าน

- ขันสกรูฝากรอบ 16 ออกโดยใช้ไขควงที่เหมาะสมกัน
- เปลี่ยนแปรงถ่านแบบสปริงกด 15 และขันสกรูฝากรอบกลับเข้าที่เดิม

เครื่องมือไฟฟ้านี้ผ่านกรรมวิธีการผลิตและตรวจสอบอย่างละเอียดถี่ถ้วนมาแล้ว ถึงกระนั้น หากเครื่องเกิดขัดข้อง ต้องส่งเครื่องให้ศูนย์บริการหลังการขายสำหรับเครื่องมือไฟฟ้า บอช ซ่อมแซม

เมื่อต้องการสอบถามและสั่งซื้ออะไหล่ กรุณาแจ้งหมายเลขสินค้าหลักบนแผ่นป้ายรุ่นของเครื่องทุกครั้ง

การบริการหลังการขายและคำแนะนำการใช้งาน

ศูนย์บริการหลังการขายของเรายินดีตอบคำถามเกี่ยวกับการบำรุงรักษาและการซ่อมแซมผลิตภัณฑ์ของท่าน รวมทั้งชิ้นส่วนอะไหล่ ภาพแยกชิ้นประกอบและข้อมูลเกี่ยวกับชิ้นส่วนอะไหล่ยังสามารถดูได้ใน:

www.bosch-pt.com

ทีมงานให้คำแนะนำการใช้งานของ บอช ยินดีตอบคำถามเกี่ยวกับผลิตภัณฑ์ของเราและอุปกรณ์ประกอบของผลิตภัณฑ์ ในกรณีประกัน ซ่อมแซม หรือซื้อชิ้นส่วนมาเปลี่ยน กรุณาติดต่อ ผู้ขายที่ได้รับแต่งตั้งเท่านั้น

ประเทศไทย**สำนักงาน**

บริษัท โรเบิร์ต บอช จำกัด
ชั้น 11 ตึกลิเบอร์ตี สแควร์
287 ถนนสีลม
กรุงเทพฯ 10500
โทรศัพท์ 02 / 6 31 18 79 – 18 88 (10 หมายเลข)
โทรสาร 02 / 2 38 47 83
www.bosch.co.th

ผู้ไปรษณีย์

บริษัท โรเบิร์ต บอช จำกัด
แผนกเครื่องมือไฟฟ้า
ตู้ ปณ. 20 54
กรุงเทพฯ 10501
ประเทศไทย

ศูนย์บริการซ่อมและฝึกอบรม

ศูนย์บริการซ่อมและฝึกอบรมบอช
2869 – 2869/1 ซอยบ้านกล้วย
ถนนพระรามที่ 4 (ใกล้ทางรถไฟสายปากน้ำเก่า)
พระโขนง
กรุงเทพฯ 10110
ประเทศไทย
โทรศัพท์ 02 / 6 71 78 00 – 4
โทรสาร 02 / 2 49 42 96
โทรสาร 02 / 2 49 52 99

การขนส่ง

แบตเตอรี่ลิเทียม ไอออน ที่บรรจุอยู่ภายใต้ข้อกำหนดแห่งกฎหมายสินค้าอันตราย ผู้ใช้สามารถขนส่งแบตเตอรี่โดยทางถนนโดยไม่มีข้อบังคับอื่น

หากขนส่งโดยบุคคลที่สาม (เช่น: การขนส่งทางอากาศ หรือตัวแทนขนส่งสินค้า) ต้องปฏิบัติตามข้อกำหนดพิเศษเกี่ยวกับการบรรจุภัณฑ์และการติดฉลาก ในการจัดเตรียมสิ่งของที่จะจัดส่ง ต้องปรึกษาผู้เชี่ยวชาญสำหรับวัตถุนตราย

ส่งแบตเตอรี่เมื่อตัวหุ้มไม่ชำรุดเสียหายเท่านั้น ใช้แถบกาวพันปิดหน้าสัมผัสที่เปิดอยู่ และนำแบตเตอรี่ใส่กล่องบรรจุโดยไม่ให้เคลื่อนไปมาในกล่องได้

นอกจากนี้กรุณาปฏิบัติตามกฎระเบียบของประเทศซึ่งอาจมีรายละเอียดเพิ่มเติม

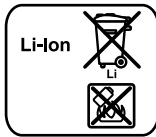
การกำจัดขยะ

เครื่อง แบตเตอรี่ที่นำกลับมาชาร์จใหม่ได้ อุปกรณ์ประกอบ และหีบห่อ ต้องนำไปแยกประเภทวัสดุเพื่อนำกลับมาใช้ใหม่โดยไม่ทำลายสภาพแวดล้อม

อย่าทิ้งเครื่องมือไฟฟ้าและแบตเตอรี่/แบตเตอรี่ที่นำกลับมาชาร์จใหม่ได้ ลงในขยะบ้าน!

แบตเตอรี่แพ็ค/แบตเตอรี่:

34 | Bahasa Indonesia

**Li-ion:**

กรุณาปฏิบัติตามคำสั่งในบท
"การขนส่ง" หน้า 33

ขอสงวนสิทธิ์ในการเปลี่ยนแปลงโดยไม่ต้องแจ้งล่วงหน้า

Bahasa Indonesia

Petunjuk-Petunjuk untuk Keselamatan Kerja

Petunjuk-Petunjuk Umum untuk Perangkat Listrik

⚠ PERHATIKANLAH Bacalah semua petunjuk-petunjuk untuk keselamatan kerja dan petunjuk-petunjuk untuk penggunaan.

Kesalahan dalam menjalankan petunjuk-petunjuk untuk keselamatan kerja dan petunjuk-petunjuk untuk penggunaan dapat mengakibatkan kontak listrik, kebakaran dan/atau luka-luka yang berat.

Simpanlah semua petunjuk-petunjuk untuk keselamatan kerja dan petunjuk-petunjuk lainnya untuk penggunaan di masa depan.

Kata „perkakas listrik“ yang disebutkan di dalam petunjuk-petunjuk untuk keselamatan kerja adalah sebutan untuk perangkat listrik pakai listrik jaringan (dengan kabel) dan untuk perangkat listrik tenaga baterai (tanpa kabel listrik).

Keselamatan kerja di tempat kerja

- ▶ **Jagalah supaya tempat kerja selalu bersih dan terang.** Tempat kerja yang tidak rapi atau tidak terang dapat mengakibatkan terjadinya kecelakaan.
- ▶ **Janganlah menggunakan perangkat listrik di tempat di mana dapat terjadi ledakan, di mana ada cairan, gas atau debu yang mudah terbakar.** Perangkat listrik dapat memancarkan bunga api yang lalu mengakibatkan debu atau uap terbakar.
- ▶ **Selama menggunakan perangkat listrik, jauhkan anak-anak dan orang-orang lain dari tempat kerja.** Jika konsentrasi terganggu, bisa jadi Anda tidak bisa mengendalikan perangkat listrik tersebut.

Keamanan listrik

- ▶ **Steker dari perangkat listrik harus cocok pada stopkontak. Janganlah sekali-kali merubah steker. Janganlah menggunakan steker perantara bersama dengan perangkat listrik yang mempunyai hubungan arde.** Steker yang tidak dirubah dan stopkontak yang cocok mengurangi bahaya terjadinya kontak listrik.
- ▶ **Jagalah supaya badan Anda tidak bersentuhan dengan permukaan yang mempunyai hubungan arde, misalnya pipa-pipa, radiator pemanas ruangan, kompor listrik**

dan lemari es. Ada risiko besar terjadi kontak listrik, jika badan Anda mempunyai hubungan arde.

- ▶ **Jagalah supaya perangkat listrik tidak kena hujan atau menjadi basah.** Air yang masuk ke dalam perangkat listrik menambah risiko terjadinya kontak listrik.
- ▶ **Janganlah menyalah gunakan kabel listrik untuk mengangkat dan menggantungkan perangkat listrik atau untuk menarik steker dari stopkontak. Jagalah supaya kabel listrik tidak kena panas, minyak, pinggiran yang tajam atau bagian-bagian perangkat yang bergerak.** Kabel listrik yang rusak atau tersangkut menambah risiko terjadinya kontak listrik.
- ▶ **Jika Anda menggunakan perangkat listrik di luar gedung, gunakanlah hanya kabel sambungan yang juga cocok untuk pemakaian di luar gedung.** Penggunaan kabel sambungan yang cocok untuk pemakaian di luar gedung mengurangi risiko terjadinya kontak listrik.
- ▶ **Jika penggunaan perangkat listrik di tempat yang basah tidak bisa dihindarkan, gunakanlah sakelar pengaman terhadap arus penyimpangan.** Penggunaan sakelar pengaman terhadap arus penyimpangan mengurangi risiko terjadinya kontak listrik.

Keselamatan kerja

- ▶ **Berhati-hatilah selalu, perhatikanlah apa yang Anda kerjakan dan bekerjalah dengan seksama jika menggunakan perangkat listrik. Janganlah menggunakan perangkat listrik, jika Anda capai atau berada di bawah pengaruh narkoba, minuman keras atau obat.** Jika Anda sekejap mata saja tidak berhati-hati sewaktu menggunakan perangkat listrik, dapat terjadi luka-luka berat.
- ▶ **Pakailah pakaian dan sarana pelindung dan pakailah selalu kaca mata pelindung.** Dengan memakai pakaian dan sarana pelindung, misalnya kedok anti debu (masker), sepatu tertutup yang tidak licin, helm pelindung atau pemalut telinga sesuai dengan pekerjaan yang dilakukan dengan perangkat listrik, bahaya terjadinya luka-luka dapat dikurangi.
- ▶ **Jagalah supaya perangkat listrik tidak dihidupkan secara tidak disengaja. Perhatikan bahwa perangkat listrik dalam penyetelan mati, jika steker disambungkan pada pengadaan listrik dan/atau baterai, jika perangkat listrik diangkat atau dibawa.** Jika selama mengangkat perangkat listrik jari Anda berada pada tombol untuk menghidupkan dan mematikan atau perangkat listrik yang dalam penyetelan hidup disambungkan pada listrik, dapat terjadi kecelakaan.
- ▶ **Lepaskan semua perangkat-perkakas penyetelan atau kunci-kunci pas sebelum perangkat listrik dihidupkan.** Perangkat atau kunci yang berada di dalam bagian yang berputar dapat mengakibatkan terjadinya luka-luka.
- ▶ **Aturkan badan sedemikian sehingga Anda bisa bekerja dengan aman. Berdirilah secara mantap dan jagalah selalu keseimbangan.** Dengan demikian Anda bisa mengendalikan perangkat listrik dengan lebih baik, jika terjadi sesuatu dengan tiba-tiba.

- ▶ **Pakailah pakaian yang cocok. Janganlah memakai pakaian yang longgar atau perhiasan. Jagalah supaya rambut, pakaian dan sarung tangan tidak masuk dalam bagian-bagian perkakas yang bergerak.** Pakaian yang longgar, rambut panjang atau perhiasan dapat tersangkut dalam bagian perkakas yang bergerak.
- ▶ **Jika ada kemungkinan untuk memasang sarana penghisapan dan penampungan debu, perhatikan bahwa sarana-sarana ini telah dipasang dan digunakan dengan betul.** Penggunaan sarana penghisapan bisa mengurangi bahaya yang disebabkan debu.

Penggunaan dan penanganan perkakas listrik dengan seksama

- ▶ **Janganlah membebani perkakas listrik terlalu berat. Gunakan selalu perkakas listrik yang cocok untuk pekerjaan yang dilakukan.** Dengan perkakas listrik yang cocok Anda bekerja lebih baik dan lebih aman dalam batas-batas kemampuan yang ditentukan.
- ▶ **Janganlah menggunakan perkakas listrik yang tombolnya rusak.** Perkakas listrik yang tidak bisa dihidupkan atau dimatikan, berbahaya dan harus direparasikan.
- ▶ **Tariklah steker dari stopkontak dan/atau keluarkan baterai, sebelum Anda melakukan penyetulan pada perkakas listrik, mengganti alat-alat kerja atau sebelum menyimpan perkakas listrik.** Tindakan keselamatan kerja ini mengurangi bahaya perkakas listrik hidup secara tidak disengaja.
- ▶ **Simpanlah perkakas listrik yang tidak digunakan di luar jangkauan anak-anak. Janganlah mengizinkan orang-orang yang tidak mengenal perkakas listrik ini atau yang belum membaca petunjuk-petunjuk ini, menggunakan perkakas listrik ini.** Perkakas listrik bisa menjadi berbahaya, jika digunakan oleh orang-orang yang tidak mengenalnya.
- ▶ **Rawatlah perkakas listrik dengan seksama. Periksa, apakah bagian-bagian perkakas listrik yang bergerak berfungsi dengan baik dan tidak tersangkut, apakah ada bagian-bagian yang patah atau rusak sedemikian, sehingga dapat mempengaruhi jalannya perkakas listrik. Biarkan bagian-bagian perkakas yang rusak direparasikan, sebelum Anda mulai menggunakan perkakas listrik.** Banyak kecelakaan terjadi karena perkakas listrik tidak dirawat dengan seksama.
- ▶ **Perhatikan supaya alat-alat pemotong selalu tajam dan bersih.** Alat-alat pemotong dengan mata-mata pemotong yang tajam dan dirawat dengan seksama tidak mudah tersangkut dan lebih mudah dikendalikan.
- ▶ **Gunakanlah semua perkakas listrik, aksesoris, alat-alat kerja dsb. sesuai dengan petunjuk-petunjuk. Perhatikan syarat-syarat kerja dan macam pekerjaan yang dilakukan.** Penggunaan perkakas listrik untuk macam pekerjaan yang tidak cocok dengan kegunaannya bisa mengakibatkan keadaan yang berbahaya.


Penanganan dan penggunaan perkakas-perkakas pakai baterai dengan seksama

- ▶ **Isikan baterai hanya dalam alat-alat pencas baterai yang dianjurkan oleh pabrik.** Jika suatu alat pencas baterai yang cocok untuk mengisi satu macam baterai tertentu, digunakan untuk mengisi baterai-baterai lainnya, ada bahaya terjadinya kebakaran.
- ▶ **Gunakanlah hanya baterai-baterai yang cocok dan khusus untuk masing-masing perkakas listrik.** Penggunaan baterai-baterai lain dapat mengakibatkan terjadinya luka-luka dan kebakaran.
- ▶ **Jika baterai tidak digunakan, jauhkan baterai dari klip untuk kertas, uang logam, kunci, paku, sekrup atau benda-benda kecil dari logam lainnya, yang dapat menjembatani kontak-kontak.** Korsleting antara kontak-kontak baterai dapat mengakibatkan kebakaran atau api.
- ▶ **Jika baterai tidak digunakan dengan betul, dapat keluar cairan dari baterai. Jagalah supaya Anda tidak terkena pada cairan ini. Jika secara tidak disengaja Anda terkena pada cairan ini, cucikan dengan air. Jika cairan tersebut terkena pada mata, selain tindakan di atas, segera hubungi seorang dokter.** Cairan yang keluar dari baterai dapat mengakibatkan gangguan pada kulit atau kebakaran.

Servis

- ▶ **Biarkan perkakas listrik Anda direparasikan hanya oleh orang-orang ahli yang berpengalaman dan hanya dengan menggunakan suku cadang yang asli.** Dengan demikian terjamin keselamatan kerja dengan perkakas listrik ini secara berkesinambungan.

Petunjuk-petunjuk untuk keselamatan kerja untuk obeng elektro dengan getaran

- ▶ **Peganglah perkakas listrik hanya pada pegangan yang terisolir, jika Anda melakukan pekerjaan di mana sekrapnya bisa terkena pada saluran listrik yang tidak terlihat.** Sentuhan sekrap pada kabel yang bertegangan dapat mengakibatkan bagian-bagian logam dari perkakas listrik juga bertegangan dan lalu mengakibatkan kontak listrik.
 - ▶ **Usahakan supaya benda yang dikerjakan tidak goyang.** Benda yang ditahan dalam alat pemegang atau bais lebih mantap daripada benda yang dipegang dengan tangan.
 - ▶ **Sebelum meletakkan perkakas listrik, tunggulah sampai perkakas berhenti memutar.** Alat kerja bisa tersangkut dan membuat perkakas listrik tidak bisa dikendalikan.
 - ▶ **Janganlah membuka baterai.** Ada bahaya terjadinya korsleting.
-  **Lindungilah baterai terhadap panas, misalnya juga terhadap penyinaran matahari yang lama, api, air dan kelembaban.** Ada bahaya terjadinya ledakan.
- ▶ **Jika baterai rusak dan jika baterai digunakan salah, baterai bisa mengeluarkan uap. Biarkan udara segar mengalir masuk dan jika Anda merasa tidak enak**

36 | Bahasa Indonesia

badan, pergilah ke dokter. Uap tersebut bisa mengganggu saluran pernafasan.

- ▶ **Gunakanlah baterai hanya bersama dengan perkakas listrik merek Bosch.** Hanya dengan demikian baterai dilindungi terhadap pembebanan terlalu berat yang berbahaya.
- ▶ **Gunakanlah hanya baterai asli yang bermerek Bosch dengan tegangan yang tercantum pada label tipe perkakas listrik.** Jika digunakan baterai lainnya, misalnya baterai tiruan, baterai lama yang diperbarui atau baterai yang bermerek lain, bisa terjadi luka-luka serta kerusakan pada benda yang disebabkan oleh baterai yang meledak.

Penjelasan tentang produk dan daya



Bacalah semua petunjuk-petunjuk untuk keselamatan kerja dan petunjuk-petunjuk untuk penggunaan. Kesalahan dalam menjalankan petunjuk-petunjuk untuk keselamatan kerja dan petunjuk-petunjuk untuk penggunaan dapat mengakibatkan

kontak listrik, kebakaran dan/atau luka-luka yang berat.

Penggunaan alat

Perkakas listrik ini cocok untuk memutar masuk dan memutar ke luar sekrup dan baut serta untuk mengencangkan dan mengendorkan mur masing-masing dalam batas-batas ukuran yang ditentukan.

Bagian-bagian pada gambar

Nomor-nomor dari bagian-bagian perkakas pada gambar sesuai dengan gambar perkakas listrik pada halaman bergambar.

- 1 Pemegang alat kerja
- 2 Selubung pengunci
- 3 Mata pengangkat
- 4 Jepitan tempat menggantungkan*
- 5 Baterai*
- 6 Tombol pelepas baterai*
- 7 Omsakelar arah putaran
- 8 Tombol untuk menghidupkan dan mematikan
- 9 Lampu „Power Light“
- 10 Pegangan (genggaman terisolir)
- 11 Mata obeng bit pakai penahan mimis*
- 12 Pemegang mata obeng bit*
- 13 Mata obeng bit*
- 14 Alat kerja (mis. kunci sok)*
- 15 Kol dinamo
- 16 Kap penutup

*Aksesoris yang ada pada gambar atau yang dijelaskan, tidak termasuk pasokan standar. Semua aksesoris yang ada bisa Anda lihat dalam program aksesoris Bosch.

Data teknis

Obeng elektro dengan getaran pakai aki		GDR 14,4 V-LI	GDR 18 V-LI
Nomor model		3 601 JA1 4..	3 601 JA1 3..
Tegangan nominal	V=	14,4	18
Kecepatan putaran tanpa beban	min ⁻¹	0 – 2800	0 – 2800
Banyaknya getaran	min ⁻¹	0 – 3200	0 – 3200
Momen putar maks. penyekrupan ketat menurut ISO 5393	Nm	150*	160*
Ø-sekrup berkepala segi enam	mm	M6 – M14	M6 – M14
Pemegang alat kerja		¼" Kunci mur dalam	¼" Kunci mur dalam
Berat sesuai dengan EPTA-Procedure 01:2014	kg	1,4 - 1,7*	1,5 - 1,9*

Obeng elektro dengan getaran pakai aki		GDS 14,4 V-LI	GDS 18 V-LI
Nomor model		3 601 JA1 T..	3 601 JA1 S..
Tegangan nominal	V=	14,4	18
Kecepatan putaran tanpa beban	min ⁻¹	0 – 2800	0 – 2800
Banyaknya getaran	min ⁻¹	0 – 3200	0 – 3200
Momen putar maks. penyekrupan ketat menurut ISO 5393	Nm	170*	180*
Ø-sekrup berkepala segi enam	mm	M6 – M16	M6 – M16
Pemegang alat kerja		■ ½"	■ ½"
Berat sesuai dengan EPTA-Procedure 01:2014	kg	1,4 - 1,7*	1,5 - 1,9*

Obeng elektro dengan getaran pakai aki		GDV 14,4 V-LI	GDV 18 V-LI
Nomor model		3 601 JB8 0..	3 601 JB8 1..
*tergantung dari baterai yang digunakan			

Obeng elektro dengan getaran pakai aki		GDX 14,4 V-Li	GDX 18 V-Li
Tegangan nominal	V=	14,4	18
Kecepatan putaran tanpa beban	min ⁻¹	0 – 2800	0 – 2800
Banyaknya getaran	min ⁻¹	0 – 3200	0 – 3200
Momen putar maks. penyekrupan ketat menurut ISO 5393			
– ¼" Kunci mur dalam	Nm	150*	160*
– ½"	Nm	170	180
Ø-sekrup berkepala segi enam	mm	M6 – M16	M6 – M16
Pemegang alat kerja		¼" Kunci mur dalam / ½"	¼" Kunci mur dalam / ½"
Berat sesuai dengan EPTA-Procedure 01:2014	kg	1,5 - 1,7*	1,5 - 2,0*

*tergantung dari baterai yang digunakan

Cara memasang

Cara mengisi baterai

- ▶ **Gunakanlah hanya alat-alat pencas baterai yang disebutkan pada halaman aksesori.** Hanya alat-alat pencas baterai ini yang dicocokkan pada baterai ion-Li yang diperlukan bagi perkakas listrik Anda.

Petunjuk: Baterai dipasang dalam keadaan diisi sebagian. Untuk menjamin daya penuh dari baterai, sebelum penggunaannya untuk pertama kalinya, isikanlah baterai sampai penuh sama sekali di dalam alat pencas baterai.

Baterai ion-Li bisa diisi sewaktu-waktu, tanpa mengurangi daya tahannya. Baterai tidak menjadi rusak jika pengisiannya dihentikan untuk sementara waktu.

Baterai ion-Li dilindungi terhadap pengosongan sama sekali oleh „Electronic Cell Protection (ECP)“. Jika baterai kosong perkakas listrik dimatikan oleh pengaman: alat kerja berhenti memutar.

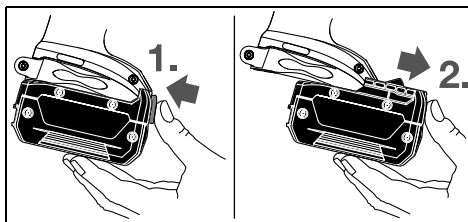
- ▶ **Lepaskan tekanan pada tombol untuk menghidupkan dan mematikan mesin, jika perkakas listrik mati secara otomatis.** Jika tombol ditekan terus, baterai bisa menjadi rusak.

Baterai dilengkapi dengan penjaga suhu NTC yang memungkinkan pengisian baterai hanya pada tingkatan suhu antara 0 °C dan 45 °C. Ini membuat baterai tahan lama.

Perhatikanlah petunjuk-petunjuk untuk membuang.

Cara mengeluarkan baterai

Baterai **5** dilengkapi dengan penguncian dua tahapan, yang dimaksudkan untuk melindungi baterai supaya tidak terjatuh ke luar jika tombol pelepas baterai **6** tertekan tanpa disengaja. Selama baterai berada di dalam perkakas listrik, baterai ditahan dalam kedudukannya oleh satu fer.



Untuk mengeluarkan baterai **5**, tekan tombol pelepas baterai **6** dan tarikkan baterai ke depan ke luar dari perkakas listrik. **Janganlah melakukannya dengan paksaan.**

Mengganti alat kerja (lihat gambar-gambar A – C)

- ▶ **Sebelum melakukan semua pekerjaan pada perkakas listrik (misalnya merawat, mengganti alat kerja dsb.) serta selama transpor atau penyimpanan, keluarkanlah baterai dari perkakas listrik.** Jika tombol untuk menghidupkan dan mematikan digerakkan tanpa sengaja, bisa terjadi luka-luka.
- ▶ **Bersihkan lubang-lubang ventilasi pada perkakas listrik Anda secara berkala.** Kipas angin motor menarik debu ke dalam rumahan dan debu logam dalam jumlah yang besar dan listrik bisa mengakibatkan bahaya.

GDR 14,4 V-Li/GDR 18 V-Li/GDX 14,4 V-Li/GDX 18 V-Li: Memasang alat kerja

Tariklah selubung pengunci **2** ke depan, dorongkan alat kerja sampai batas ke dalam pemegang alat kerja **1** dan lepaskan kembali selubung pengunci **2** untuk mengancing alat kerja.

Gunakanlah hanya mata obeng bit pakai penahan mimis **11** (DIN 3126-E6.3). Mata obeng bit lainnya **13** bisa digunakan dengan memasangkannya pada pemegang mata obeng bit pakai penahan mimis **12**.

Mengeluarkan alat kerja

Tariklah selubung pengunci **2** ke depan dan keluarkan alat kerja.

GDS 14,4 V-Li/GDS 18 V-Li/GDX 14,4 V-Li/GDX 18 V-Li:

- ▶ **Jika memasang alat kerja, perhatikanlah supaya alat kerja duduk secara aman pada pemegang alat kerja.**

Jika alat kerja tidak dipegang secara aman oleh pemegang alat kerja, alat kerja dapat terlepas selama penyekrupan.

Dorongkan alat kerja **14** pada segi empat dari pemegang alat kerja **1**.

Berdasarkan sistemnya, alat kerja **14** duduk secara longgar pada pemegang alat kerja **1**; hal ini tidak mempengaruhi fungsi/keamanannya.

Penggunaan

Cara berfungsi

Pemegang alat kerja **1** dan alat kerjanya dikerahkan oleh motor elektro yang dilengkapi dengan transmisi dan alat penggetar.

Kejadian pelaksanaan terdiri dari dua tahap:

memutar dan **mengunci** (alat penggetar beraksi).

Alat penggetar mulai beraksi setelah sekrup mulai terkunci dan motor dibebani. Dengan demikian alat penggetar mengubah daya motor menjadi getaran putar yang berkekuatan sama. Pada waktu memutar keluar sekrup, fungsinya seperti ini tetapi dalam urutan terbalik.

Cara penggunaan

Memasang baterai

► **Gunakanlah hanya baterai ion-Li yang asli dari Bosch dengan tegangan yang tercantum pada label tipe perkakas listrik Anda.** Penggunaan baterai-baterai lainnya bisa menyebabkan terjadinya luka-luka dan bahaya kebakaran.

Setelkan omsakelar arah putaran **7** pada posisi tengah, untuk melindungi perkakas listrik supaya tidak bisa dihidupkan secara tidak disengaja.

Dorongan baterai yang sudah diisi **5** dari depan ke dalam kaki dari perkakas listrik, sampai baterai terkancing secara teguh.

Menyetel arah putaran (lihat gambar D)

Dengan omsakelar arah putaran **7** Anda bisa merubah arah putaran dari perkakas listrik. Akan tetapi ini tidak mungkin jika tombol untuk menghidupkan dan mematikan mesin **8** sedang ditekan.

Arah putaran ke kanan: untuk memutar masuk sekrup dan mengencangkan mur, tekan omsakelar arah putaran **7** ke kiri sampai batas.

Arah putaran ke kiri: untuk melepaskan atau memutar ke luar sekrup dan mur, tekan omsakelar arah putaran **7** ke kanan sampai batas.

Menghidupkan/matikan

Untuk **menghidupkan**, tekan tombol untuk menghidupkan dan mematikan **8** dan tahan tekanan.

Lampu **9** menyala jika tombol untuk menghidupkan dan mematikan **8** ditekan ringan atau ditekan sampai batas dan berguna untuk menerangi bidang kerja yang tidak terang jika ruangan gelap.

Untuk **mematikan** perkakas listrik, lepaskan tombol untuk menghidupkan dan mematikan **8**.

Menyetel kecepatan putaran

Anda bisa menyetel kecepatan putaran tanpa tingkatan pada perkakas listrik yang hidup, tergantung dari tekanan pada tombol untuk menghidupkan dan mematikan mesin **8**.

Pedoman momen kunci maksimum pada baut

Nilai dalam Nm, dihitung dari penampang lintang; menggunakan 90 % dari batas renggang (pada faktor gesekan $\mu_{\text{jumlah}} = 0,12$). Untuk mengontrol, periksalah selalu momen kunci dengan kunci momen.

Tekanan ringan pada tombol **8** mengakibatkan kecepatan putaran yang rendah. Tekanan yang lebih besar mengakibatkan kecepatan putaran yang lebih tinggi.

Petunjuk-petunjuk untuk pemakaian

► **Pasangkan perkakas listrik pada mur/sekrup hanya jika perkakas listrik dalam keadaan mati.** Alat kerja-alat kerja yang berputar bisa meleset.

Momen putar yang tercapai tergantung dari lamanya penggunaan getaran. Momen putar maksimal adalah jumlah hasil momen putar-momen putar setiap pukulan (getaran). Momen putar maksimal tercapai setelah penggunaan getaran selama 6 – 10 detik. Setelah ini momen putar hampir tidak dapat diperbesar lagi.

Lamanya penggunaan getaran harus diperiksa untuk setiap momen kunci yang diperlukan. Momen kunci yang telah dicapai harus selalu diperiksa dengan kunci momen.

Penyekrupan pada kedudukan ketat, pegas atau lunak

Jika dalam uji coba diukur momen putar-momen putar yang tercapai dengan suatu deretan getaran dan dimuatkan dalam diagram, maka hasilnya adalah grafik momen putar yang spesifik. Ketinggian grafik tersebut menggambarkan momen putar maksimum yang tercapai, tanjakan grafik tersebut menggambarkan lamanya waktu hingga tercapai momen tersebut.

Grafik momen putar yang spesifik tergantung dari faktor-faktor sebagai berikut:

- kekerasan baut/mur
- jenis lapisan pada baut (ring pelat, ring pegas piring, paking)
- kekerasan benda yang akan dihubungkan dengan baut atau sekrup
- keadaan pelumasan pada baut atau sekrup

Berdasarkan hal tersebut penggunaannya adalah sebagai berikut:

- **Kedudukan ketat** ada pada penyekrupan logam pada logam dengan memakai ring pelat. Setelah waktu penggunaan getaran yang relatif pendek tercapai momen putar maksimal (tanjakan grafik yang tajam). Penggunaan getaran terlalu lama yang tidak diperlukan malah merusakkan mesin.
- **Kedudukan pegas** ada pada penyekrupan logam pada logam yang memakai ring fer, ring pegas piring, baut stud atau baut-baut/mur-mur dengan kedudukan yang tirus serta jika digunakan baut-baut penyambung.
- **Kedudukan lunak** ada pada penyekrupan misalnya logam pada kayu atau jika dipakai ring-ring pelat dari timbel atau bahan paking seperti fiber.

Pada kedudukan pegas atau lunak momen kunci maksimal adalah lebih rendah daripada pada kedudukan ketat. Selain itu diperlukan waktu getaran yang lebih lama.

Kelas daya tahan menurut norma DIN 267	Baut-baut dengan daya tahan standar								Baut-baut dengan daya tahan yang amat tinggi		
	3.6	4.6	5.6	4.8	6.6	5.8	6.8	6.9	8.8	10.9	12.9
M 6	2.71	3.61	4.52	4.8	5.42	6.02	7.22	8.13	9.7	13.6	16.2
M 8	6.57	8.7	11	11.6	13.1	14.6	17.5	19.7	23	33	39
M 10	13	17.5	22	23	26	29	35	39	47	65	78
M 12	22.6	30	37.6	40	45	50	60	67	80	113	135
M 14	36	48	60	65	72	79	95	107	130	180	215
M 16	55	73	92	98	110	122	147	165	196	275	330

Tips

Sebelum memutar masuk sekrup yang besar dan panjang ke dalam bahan yang keras, buatlah dahulu lubang bor dengan diameter inti dari ulir dengan panjang kira-kira $\frac{2}{3}$ dari panjang sekrup.

Petunjuk: Perhatikanlah supaya benda-benda kecil dari logam tidak masuk ke dalam perkakas listrik.

Jepitan tempat menggantungkan

Dengan jepitan tempat menggantungkan **4**, Anda bisa menggantungkan perkakas listrik, misalnya pada satu tali pengikat. Dengan demikian Anda tidak perlu memegang perkakas listrik dan perkakas listrik tetap berada di dekat Anda.

Petunjuk-petunjuk untuk penanganan baterai yang optimal

Lindungilah baterai terhadap kelembaban dan air.

Simpankanlah baterai hanya pada tingkatan suhu antara 0 °C dan 50 °C. Janganlah membiarkan baterai di dalam mobil, misalnya selama musim panas.

Bersihkanlah lubang-lubang ventilasi dari baterai dengan kuas yang lunak, bersih dan kering secara berkala.

Jika setelah diisi waktu pemakaian baterai semakin pendek, ini petanda bahwa baterai sudah aus dan harus diganti.

Perhatikanlah petunjuk-petunjuk untuk membuang.

Rawatan dan servis

Rawatan dan kebersihan

► **Sebelum melakukan semua pekerjaan pada perkakas listrik (misalnya merawat, mengganti alat kerja dsb.) serta selama transpor atau penyimpanan, keluarkanlah baterai dari perkakas listrik.** Jika tombol untuk menghidupkan dan mematikan digerakkan tanpa sengaja, bisa terjadi luka-luka.

► **Perkakas listrik dan lubang ventilasi harus selalu dibersihkan supaya perkakas bisa digunakan dengan baik dan aman.**

Mengganti kol dinamo (lihat gambar E)

Periksalah panjang dari kol dinamo kira-kira 2 – 3 bulan sekali, dan jika perlu, gantikan kedua kol dinamo.

Janganlah sekali-kali menggantikan satu kol dinamo saja!

Petunjuk: Gunakanlah hanya kol dinamo yang dipasok oleh Bosch, yang cocok untuk produk Anda.

- Lepaskan kap penutup **16** dengan obeng yang cocok.
- Gantikan kedua kol dinamo **15** yang ditekan oleh fer dan kencangkan kembali kedua kap penutup dengan cara memutarkannya.

Jika pada suatu waktu perkakas listrik ini tidak bisa berjalan meskipun telah diproduksi dan diperiksa dengan seksama, maka reparasinya harus dilakukan oleh Service Center perkakas listrik Bosch yang resmi.

Jika Anda hendak menanyakan sesuatu atau memesan suku cadang, sebutkan selalu nomor model yang terdiri dari 10 angka dan tercantum pada label tipe pekakas.

Layanan pasca beli dan konseling terkait pengoperasian

Layanan pasca beli Bosch menjawab semua pertanyaan Anda terkait reparasi dan maintenance serta suku cadang produk ini. Gambar tiga dimensi dan informasi terkait suku cadang dapat Anda lihat di:

www.bosch-pt.com

Tim konseling pengoperasian dari Bosch dengan senang hati membantu Anda, jika Anda hendak bertanya tentang produk-produk kami dan aksesorisnya.

Indonesia

PT. Multi Mayaka
Kawasan Industri Pulogadung
Jalan Rawa Gelam III No. 2
Jakarta 13930
Indonesia
Tel.: (021) 46832522
Fax: (021) 46828645/6823
E-Mail: sales@multimayaka.co.id
www.bosch-pt.co.id

Transpor

Pada baterai-baterai ion-Li yang digunakan diterapkan persyaratan terkait peraturan-peraturan tentang bahan-bahan yang berbahaya. Baterai-baterai dapat diangkat oleh penggunaannya di jalanan tanpa harus memenuhi syarat-syarat tertentu.

Pada pengiriman oleh pihak ketiga (misalnya transportasi dengan pesawat udara atau perusahaan ekspedisi) harus ditaati syarat-syarat terkait kemasan dan pemberian tanda.

Dalam hal ini, untuk mempersiapkan transportasi harus diminta dukungan seorang ahli bahan-bahan berbahaya.

Kirimkan baterai hanya jika rumahnya tidak rusak. Kontak-kontak yang terbuka harus ditutupi dengan pita perekat dan

40 | Tiếng Việt

kemaskan baterai sedemikian, sehingga baterai tidak bergerak-gerak di dalam kemasan.
Tautilah peraturan-peraturan nasional lainnya yang mungkin lebih rinci yang berlaku di negara Anda.

Cara membuang



Semua perkakas listrik, baterai, aksesoris dan kemasan sebaiknya didaur ulangkan sesuai dengan upaya untuk melindungi lingkungan hidup.

Janganlah membuang perkakas listrik, aki/baterai ke dalam sampah rumah tangga!

Baterai isi ulang/Baterai:



Ion-Li:

Perhatikanlah petunjuk-petunjuk dalam bab „Transpor“, halaman 39.

Perubahan adalah hak Bosch.

Tiếng Việt

Các Nguyên Tắc An Toàn

Cảnh báo tổng quát cách sử dụng an toàn dụng cụ điện cầm tay

⚠ CẢNH BÁO Đọc kỹ mọi cảnh báo an toàn và hướng dẫn. Không tuân thủ mọi cảnh báo và hướng dẫn được liệt kê dưới đây có thể bị điện giật, gây cháy và/hay bị thương tật nghiêm trọng.

Hãy giữ tất cả tài liệu về cảnh báo và hướng dẫn để tham khảo về sau.

Thuật ngữ “dụng cụ điện cầm tay” trong phần cảnh báo là để cập đến sự sử dụng dụng cụ điện cầm tay của bạn, loại sử dụng điện nguồn (có dây cắm điện) hay vận hành bằng pin (không dây cắm điện).

Khu vực làm việc an toàn

- ▶ **Giữ nơi làm việc sạch và đủ ánh sáng.** Nơi làm việc bừa bộn và tối tăm dễ gây ra tai nạn.
- ▶ **Không vận hành dụng cụ điện cầm tay trong môi trường dễ gây nổ, chẳng hạn như nơi có chất lỏng dễ cháy, khí đốt hay rác.** Dụng cụ điện cầm tay tạo ra các tia lửa nên có thể làm rác bén cháy hay bốc khói.
- ▶ **Không để trẻ em hay người đến xem đứng gần khi vận hành dụng cụ điện cầm tay.** Sự phân tâm có thể gây ra sự mất điều khiển.

An toàn về điện

- ▶ **Phích cắm của dụng cụ điện cầm tay phải thích hợp với ổ cắm.** Không bao giờ được cải

biến lại phích cắm dưới mọi hình thức. Không được sử dụng phích tiếp hợp nối tiếp đất (dây mát). Phích cắm nguyên bản và ổ cắm đúng loại sẽ làm giảm nguy cơ bị điện giật.

- ▶ **Tránh không để thân thể tiếp xúc với đất hay các vật có bề mặt tiếp đất như đường ống, lò sưởi, hàng rào và tủ lạnh.** Có nhiều nguy cơ bị điện giật hơn nếu cơ thể bạn bị tiếp hay nối đất.
- ▶ **Không được để dụng cụ điện cầm tay ngoài mưa hay ở tình trạng ẩm ướt.** Nước vào máy sẽ làm tăng nguy cơ bị điện giật.
- ▶ **Không được lạm dụng dây dẫn điện.** Không bao giờ được nắm dây dẫn để xách, kéo hay rút phích cắm dụng cụ điện cầm tay. Không để dây gần nơi có nhiệt độ cao, dầu nhớt, vật nhọn bén hay bộ phận chuyển động. Làm hỏng hay cuộn rối dây dẫn làm tăng nguy cơ bị điện giật.
- ▶ **Khi sử dụng dụng cụ điện cầm tay ngoài trời, dùng dây nối thích hợp cho việc sử dụng ngoài trời.** Sử dụng dây nối thích hợp cho việc sử dụng ngoài trời làm giảm nguy cơ bị điện giật.
- ▶ **Nếu việc sử dụng dụng cụ điện cầm tay ở nơi ẩm ướt là không thể tránh được, dùng thiết bị ngắt mạch tự động (RCD) bảo vệ nguồn.** Sử dụng thiết bị ngắt mạch tự động RCD làm giảm nguy cơ bị điện giật.

An toàn cá nhân

- ▶ **Hãy tỉnh táo, biết rõ mình đang làm gì và hãy sử dụng ý thức khi vận hành dụng cụ điện cầm tay.** Không sử dụng dụng cụ điện cầm tay khi đang mệt mỏi hay đang bị tác động do chất gây nghiện, rượu hay được phẩm gây ra. Một thoáng mất tập trung khi đang vận hành dụng cụ điện cầm tay có thể gây thương tích nghiêm trọng cho bản thân.
- ▶ **Sử dụng trang bị bảo hộ cá nhân. Luôn luôn đeo kính bảo vệ mắt.** Trang bị bảo hộ như khẩu trang, giày chống trượt, nón bảo hộ, hay dụng cụ bảo vệ tai khi được sử dụng đúng nơi đúng chỗ sẽ làm giảm nguy cơ thương tật cho bản thân.
- ▶ **Phòng tránh máy khởi động bất ngờ.** Bảo đảm công tắc máy ở vị trí tắt trước khi cắm vào nguồn điện và/hay lắp pin vào, khi nhắc máy lên hay khi mang xách máy. Ngáng ngón tay vào công tắc máy để xách hay kích hoạt dụng cụ điện cầm tay khi công tắc ở vị trí mở dễ dẫn đến tai nạn.
- ▶ **Lấy mọi chìa hay khóa điều chỉnh ra trước khi mở điện dụng cụ điện cầm tay.** Khóa hay chìa còn gắn dính vào bộ phận quay của dụng cụ điện cầm tay có thể gây thương tích cho bản thân.
- ▶ **Không rướn người.** Luôn luôn giữ tư thế đứng thích hợp và thăng bằng. Điều này tạo cho việc

điều khiển dụng cụ điện cầm tay tốt hơn trong mọi tình huống bất ngờ.

- ▶ **Trang phục thích hợp. Không mặc quần áo rộng thùng thình hay mang trang sức. Giữ tóc, quần áo và găng tay xa khỏi các bộ phận chuyển động.** Quần áo rộng thùng thình, đồ trang sức hay tóc dài có thể bị cuốn vào các bộ phận chuyển động.
- ▶ **Nếu có các thiết bị đi kèm để nối máy hút bụi và các phụ kiện khác, bảo đảm các thiết bị này được nối và sử dụng tốt.** Việc sử dụng các thiết bị gom hút bụi có thể làm giảm các độc hại liên quan đến bụi gây ra.

Sử dụng và bảo dưỡng dụng cụ điện cầm tay

- ▶ **Không được ép máy. Sử dụng dụng cụ điện cầm tay đúng loại theo đúng ứng dụng của bạn.** Dụng cụ điện cầm tay đúng chức năng sẽ làm việc tốt và an toàn hơn theo đúng tiến độ mà máy được thiết kế.
- ▶ **Không sử dụng dụng cụ điện cầm tay nếu như công tắc không tắt và mở được.** Bất kỳ dụng cụ điện cầm tay nào mà không thể điều khiển được bằng công tắc là nguy hiểm và phải được sửa chữa.
- ▶ **Rút phích cắm ra khỏi nguồn điện và/hay pin ra khỏi dụng cụ điện cầm tay trước khi tiến hành bất kỳ điều chỉnh nào, thay phụ kiện, hay cắt dụng cụ điện cầm tay.** Các biện pháp ngăn ngừa như vậy làm giảm nguy cơ dụng cụ điện cầm tay khởi động bất ngờ.
- ▶ **Cất giữ dụng cụ điện cầm tay không dùng tới nơi trẻ em không lấy được và không cho người chưa từng biết dụng cụ điện cầm tay hay các hướng dẫn này sử dụng dụng cụ điện cầm tay.** Dụng cụ điện cầm tay nguy hiểm khi ở trong tay người chưa được chỉ cách sử dụng.
- ▶ **Bảo quản dụng cụ điện cầm tay. Kiểm tra xem các bộ phận chuyển động có bị sai lệch hay kẹt, các bộ phận bị rạn nứt và các tình trạng khác có thể ảnh hưởng đến sự vận hành của máy. Nếu bị hư hỏng, phải sửa chữa máy trước khi sử dụng.** Nhiều tai nạn xảy ra do bảo quản dụng cụ điện cầm tay tồi.
- ▶ **Giữ các dụng cụ cắt bén và sạch.** Bảo quản đúng cách các dụng cụ cắt có cạnh cắt bén làm giảm khả năng bị kẹt và dễ điều khiển hơn.

- ▶ **Sử dụng dụng cụ điện cầm tay, phụ kiện, đầu cài v. v., đúng theo các chỉ dẫn này, hãy lưu ý đến điều kiện làm việc và công việc phải thực hiện.** Sử dụng dụng cụ điện cầm tay khác với mục đích thiết kế có thể tạo nên tình huống nguy hiểm.

Sử dụng và bảo quản dụng cụ dùng pin

- ▶ **Chỉ được sạc pin lại với bộ nạp điện do nhà sản xuất chỉ định.** Bộ nạp điện thích hợp cho một loại pin có thể gây nguy cơ cháy khi sử dụng cho một loại pin khác.
- ▶ **Chỉ sử dụng dụng cụ điện cầm tay với loại pin được thiết kế đặt biệt dành riêng cho máy.** Sử dụng bất cứ loại pin khác có thể dẫn đến thương tật hay cháy.
- ▶ **Khi không sử dụng pin, để cách xa các vật bằng kim loại như kẹp giấy, tiền xu, chìa khóa, đinh, ốc vít hay các đồ vật kim loại nhỏ khác, thứ có thể tạo sự nối tiếp từ một đầu cực với một đầu cực khác.** Sự chập mạch của các đầu cực với nhau có thể gây bóng hay cháy.
- ▶ **Bảo quản ở tình trạng tối, dung dịch từ pin có thể tứa ra; tránh tiếp xúc. Nếu vô tình chạm phải, hãy xối nước để rửa. Nếu dung dịch vào mắt, cần thêm sự hỗ trợ của y tế.** Dung dịch tiết ra từ pin có thể gây ngứa hay bóng.

Bảo dưỡng

- ▶ **Đưa dụng cụ điện cầm tay của bạn đến thợ chuyên môn để bảo dưỡng, chỉ sử dụng phụ tùng đúng chủng loại để thay.** Điều này sẽ đảm bảo sự an toàn của máy được giữ nguyên.

Các Cảnh Báo An Toàn cho Cẩn Xiết Lực

- ▶ **Nắm giữ dụng cụ điện nơi phần nắm cách điện khi thực hiện việc gia công nơi chi tiết lắp bắt có thể chạm vào dây điện không nhìn thấy được hay chính dây của máy.** Chi tiết lắp bắt chạm dây "có điện" có thể làm cho các bộ phận kim loại không được bao bọc của dụng cụ điện "có điện" và có khả năng gây cho người sử dụng máy bị điện giật.
- ▶ **Kẹp chặt vật gia công.** Vật gia công được kẹp bằng một thiết bị kẹp hay bằng êtô thì vững chắc hơn giữ bằng tay.
- ▶ **Luôn luôn đợi cho máy hoàn toàn ngừng hẳn trước khi đặt xuống.** Dụng cụ lắp vào máy có thể bị kẹp chặt dẫn đến việc dụng cụ điện cầm tay bị mất điều khiển.
- ▶ **Không được tháo pin ra.** Nguy cơ bị chập mạch.



Bảo vệ pin không để bị làm nóng, ví dụ, chống để lâu dài dưới ánh nắng gay gắt, lửa, nước, và sự ẩm ướt. Sự nguy hiểm của nổ.

42 | Tiếng Việt

- ▶ **Trong trường hợp pin bị hỏng hay sử dụng sai cách, hơi nước có thể bốc ra. Hãy làm cho thông thoáng khí và trong trường hợp bị đau phải nhờ y tế chữa trị.** Hơi nước có thể gây ngứa hệ hô hấp.
- ▶ **Chỉ sử dụng pin cùng chung với dụng cụ điện cầm tay Bosch của bạn.** Chỉ riêng với cách này đã bảo vệ cho pin không bị nguy hiểm do quá tải.
- ▶ **Chỉ sử dụng pin chính hãng Bosch có điện thế được ghi trên nhãn máy dụng cụ điện của bạn.** Khi sử dụng các loại pin khác, vd. hàng nhái, pin tân trang hoặc pin của hãng khác, có nguy cơ bị thương tích do pin gây ra cũng như làm hư hỏng tài sản do việc pin bị nổ.

Mô Tả Sản Phẩm và Đặc Tính Kỹ Thuật



Đọc kỹ mọi cảnh báo an toàn và mọi hướng dẫn. Không tuân thủ mọi cảnh báo và hướng dẫn được liệt kê dưới đây có thể bị điện giật, gây cháy và/hay bị thương tật nghiêm trọng.

Dành sử dụng cho

Máy được thiết kế để tháo hoặc bắt vít và bu-loong cũng như để siết hay tháo đai ốc trong phạm vi kích cỡ tương ứng.

Thông số kỹ thuật

Máy Bắt Vít Pin Đập		GDR 14,4 V-LI	GDR 18 V-LI
Mã số máy		3 601 JA1 4..	3 601 JA1 3..
Điện thế danh định	V=	14,4	18
Tốc độ không tải	v/p	0 - 2800	0 - 2800
Tần suất đập	v/p	0 - 3200	0 - 3200
Lực xoắn tối đa, ứng dụng cho việc bắt vít vào vật rắn chắc dựa theo tiêu chuẩn ISO 5393	Nm	150*	160*
Kích cỡ bu-loong	mm	M6 - M14	M6 - M14
Phần lắp dụng cụ		¼"Chìa khóa đầu ống sáu cạnh	¼"Chìa khóa đầu ống sáu cạnh
Trọng lượng theo Quy trình EPTA-Procedure 01:2014 (chuẩn EPTA 01:2014)	kg	1,4 - 1,7*	1,5 - 1,9*

Máy Bắt Vít Pin Đập		GDS 14,4 V-LI	GDS 18 V-LI
Mã số máy		3 601 JA1 T..	3 601 JA1 S..
Điện thế danh định	V=	14,4	18
Tốc độ không tải	v/p	0 - 2800	0 - 2800
Tần suất đập	v/p	0 - 3200	0 - 3200
Lực xoắn tối đa, ứng dụng cho việc bắt vít vào vật rắn chắc dựa theo tiêu chuẩn ISO 5393	Nm	170*	180*

Biểu trưng của sản phẩm

Sự đánh số các biểu trưng của sản phẩm là để tham khảo hình minh họa của máy trên trang hình ảnh.

- 1 Phần lắp dụng cụ
- 2 Vòng Khóa
- 3 Đai xách
- 4 Móc cài dây thắt lưng*
- 5 Pin*
- 6 Nút tháo pin*
- 7 Gạc vận chuyển đổi chiều quay
- 8 Công tắc Tắt/Mở
- 9 "Đèn Chiếu Sáng"
- 10 Tay nắm (bề mặt nắm cách điện)
- 11 Đầu vít gài bằng bi chặn*
- 12 Đầu nối phổ thông*
- 13 Đầu vít*
- 14 Dụng cụ ứng dụng (vd. khẩu hay đầu ống)*
- 15 Chổi than
- 16 Nắp đậy

*Phụ tùng được trình bày hay mô tả không phải là một phần của tiêu chuẩn hàng hóa được giao kèm theo sản phẩm. Bạn có thể tham khảo tổng thể các loại phụ tùng, phụ kiện trong chương trình phụ tùng của chúng tôi.

Máy Bút Vít Pin Đập		GDS 14,4 V-Li	GDS 18 V-Li
Kích cỡ bu-long	mm	M6 – M16	M6 – M16
Phần lắp dụng cụ		■ ½"	■ ½"
Trọng lượng theo Quy trình EPTA-Procedure 01:2014 (chuẩn EPTA 01:2014)	kg	1,4 - 1,7*	1,4 - 1,9*

Máy Bút Vít Pin Đập		GDX 14,4 V-Li	GDX 18 V-Li
Mã số máy		3 601 JB8 0..	3 601 JB8 1..
Điện thế danh định	V=	14,4	18
Tốc độ không tải	v/p	0 – 2800	0 – 2800
Tần suất đập	v/p	0 – 3200	0 – 3200
Lực xoắn tối đa, ứng dụng cho việc bắt vít vào vật rắn chắc dựa theo tiêu chuẩn ISO 5393			
– ¼"Chìa khóa đầu ống sáu cạnh	Nm	150*	160*
– ■ ½"	Nm	170	180
Kích cỡ bu-long	mm	M6 – M16	M6 – M16
Phần lắp dụng cụ		¼"Chìa khóa đầu ống sáu cạnh/■ ½"	¼"Chìa khóa đầu ống sáu cạnh/■ ½"
Trọng lượng theo Quy trình EPTA-Procedure 01:2014 (chuẩn EPTA 01:2014)	kg	1,5 - 1,7*	1,5 - 2,0*

*tùy vào loại pin lắp đang sử dụng

Sự lắp vào

Nạp điện pin

► **Chỉ nên sử dụng các bộ nạp điện pin được liệt kê trong trang phụ kiện.** Chỉ có các bộ nạp điện pin này mới thích hợp với pin lithium ion dùng cho dụng cụ điện cầm tay của bạn.

Ghi Chú: Pin giao kèm máy chỉ được nạp điện một phần. Để đảm bảo pin có đầy đủ điện dung, nạp điện hoàn toàn cho pin bằng bộ nạp điện pin trước khi bạn sử dụng dụng cụ điện cho lần đầu tiên.

Pin Lithium ion có thể nạp điện bất cứ lúc nào mà vẫn không làm giảm tuổi thọ của pin. Sự làm gián đoạn quy trình nạp điện không làm cho pin bị hư hỏng.

Pin Li-on được bảo vệ ngăn sự phóng điện quá lớn nhờ vào "Bộ phận Điện tử Bảo vệ Pin (ECP)". Khi pin hết điện, máy tự tắt nhờ vào thiết bị bảo vệ mạch: Dụng cụ đang lắp trong máy dừng quay hẳn.

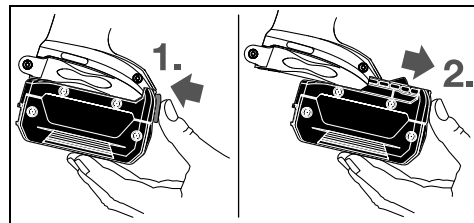
► **Không được tiếp tục nhấn vào công tắc Tắt/Mở sau khi máy đã tự động tắt.** Có thể làm cho pin hỏng.

Pin được trang bị bộ phận kiểm soát nhiệt độ NTC, thiết bị này chỉ cho phép nạp điện trong phạm vi nhiệt độ cho phép ở giữa 0 °C và 45 °C. Tuổi thọ của pin nhờ đó mà được nâng cao.

Tuân thủ các chú thích dành cho việc thải bỏ.

Tháo Pin

Pin 5 được trang bị hai lớp khóa để ngăn sao cho pin không bị rơi ra ngoài khi vô ý nhấn phải nút tháo pin 6. Cứ khi nào pin còn được lắp trong dụng cụ điện, nó vẫn được giữ nguyên vị trí nhờ vào một lò xo.



Để tháo pin 5, nhấn nút nhà khóa 6 và kéo hết pin ra về phía trước. **Không dùng lực cưỡng ép.**

Thay Dụng Cụ (xem hình A - C)

► **Trước khi tiến hành bất cứ công việc gì với máy (vd., bảo dưỡng, thay dụng cụ v.v..) cũng như khi vận chuyển hay lưu kho, tháo pin ra khỏi dụng cụ điện.** Có nguy cơ gây thương tích khi vô tình làm kích hoạt công tắc Tắt/Mở.

► **Thường xuyên làm sạch các khe thông gió của dụng cụ điện.** Quạt gió motor sẽ kéo bụi nằm trong vỏ máy ra và sự tích tụ quá nhiều bột kim loại có thể gây nên các nguy hiểm về điện.

44 | Tiếng Việt

**GDR 14,4 V-LI/GDR 18 V-LI/GDX 14,4 V-LI/
GDX 18 V-LI:****Tra Lắp**

Kéo nhanh vòng khóa **2** về phía trước, rồi đẩy hết dụng cụ vào trong phần cặp dụng cụ **1** và thả vòng khóa ra **2** để khóa dụng cụ lắp vào.

Chỉ sử dụng các loại đầu vít gài bằng bi chặn **11** theo tiêu chuẩn của Đức (DIN 3126-E6.3). Những đầu vít gài khác **13** có thể sử dụng cùng với đầu nối lắp phổ thông dùng bi chặn **12**.

Thay ra

Kéo vòng khóa **2** về phía trước và tháo dụng cụ ra.

**GDS 14,4 V-LI/GDS 18 V-LI/GDX 14,4 V-LI/
GDX 18 V-LI:**

► **Khi làm việc với dụng cụ ứng dụng, hãy lưu ý dụng cụ ứng dụng được gắn chắc chắn vào phần lắp dụng cụ.** Khi dụng cụ ứng dụng không được gắn chắc chắn vào phần lắp dụng cụ, nó có thể tuột ra trong lúc ứng dụng.

Lắp dụng cụ được sử dụng **14** lên trên phần dẫn động vuông của phần lắp dụng cụ **1**.

Mặc dù dựa trên hệ thống, nếu dụng cụ ứng dụng **14** có biểu hiện lắc lư sau khi gắn chắc chắn vào phần lắp dụng cụ **1**; điều này không ảnh hưởng đến sự hoạt động/an toàn.

Vận Hành**Cách Thức Hoạt Động**

Phần cặp dụng cụ **1** có dụng cụ được dẫn động thông qua một mô-tơ điện và sự đập cơ học.

Qui trình hoạt động được chia ra làm hai giai đoạn: **Bắt vào** và **siết chặt** (chế độ đập đang vận hành).

Sự đập cơ học có tác động ngay khi việc bắt vít vào đã chặt cứng và vì vậy tải trọng được chuyển đặt lên mô-tơ. Ngay tại thời điểm này, tác động đập cơ học chuyển công suất của mô-tơ thành những cú đập xoay tròn đều đặn. Khi tháo vít hay đai ốc ra, qui trình chuyển đổi ngược lại.

Bắt Đầu Vận Hành**Lắp Pin Vào**

► **Chỉ sử dụng pin Li-on của chính hãng Bosch với điện thế được ghi trên nhãn máy của dụng cụ điện cầm tay của bạn.** Sử dụng các loại pin khác có thể dẫn đến thương tật và gây ra cháy.

Chỉnh đặt gạc chỉ chiều quay **7** về vị trí chính giữa để bảo vệ dụng cụ điện phòng tránh sự khởi động vô tình.

Lắp pin đã được nạp điện **5** từ mặt trước vào trong chân đế dụng cụ điện cho đến khi pin được khóa an toàn lại.

Đảo Chiều Quay (xem hình D)

Gạc chuyển đổi chiều quay **7** được sử dụng để đảo lại chiều quay của máy. Tuy nhiên, việc này không thể thực hiện được cùng lúc với công tắc **Tắt/Mở 8** đang hoạt động.

Chiều quay phải: Để bắt vít và siết chặt đai ốc, đẩy gạc chuyển đổi chiều quay **7** hết về trái.

Chiều Quay Trái: Để nới hay là tháo vít hay là đai ốc, nhấn gạc chuyển đổi chiều quay **7** qua hết bên phải.

Bật Mở và Tắt

Để khởi **động máy**, nhấn công tắc **Tắt/Mở 8** và nhấn giữ xuống.

Ánh sáng **9** sáng lên khi công tắc **Tắt/Mở 8** được bóp nhẹ hay bóp hết vào cho phép rọi sáng được phạm vi gia công khi tình trạng ánh sáng không được tốt.

Để tắt máy, **nhả** công tắc **Tắt/Mở 8** ra.

Điều chỉnh tốc độ

Tốc độ của dụng cụ điện cầm tay đang hoạt động có thể điều chỉnh thay đổi, tùy theo độ nông sâu của công tắc **Tắt/Mở 8** được bóp vào.

Lực nhấn nhẹ lên công tắc **Tắt/Mở 8** tạo ra tốc độ quay thấp. Tăng lực nhấn lên công tắc làm tăng tốc độ quay.

Hướng Dẫn Sử Dụng

► **Tra dụng cụ điện cầm tay vào vít/đai ốc chỉ khi đã tắt công tắc.** Dụng cụ gắn trong máy đang xoay có thể trượt ra ngoài.

Lực vận tùy thuộc vào khoảng thời gian đập. Lực vận tối đa đạt được là kết quả của tổng số các lực vận riêng lẻ hoàn thành thông qua động tác đập. Lực vận tối đa đạt được sau khoảng thời gian đập là 6 - 10 giây. Sau khoảng thời gian này, lực siết chặt chỉ tăng thêm ở mức tối thiểu.

Khoảng thời gian đập được xác định cho từng lực siết riêng lẻ cần có. Để biết lực siết thực tế đạt được, luôn luôn kiểm tra bằng một cờ-lê sử dụng lực xoắn.

Ứng dụng việc bắt vít có Vòng Đệm Cứng, Mềm hay Lò Xo Chịu Tải

Khi trong thí nghiệm, lực vận hoàn tất trong một chuỗi đập được đo và chuyển thành biểu đồ, biểu diễn thành đường cong mang đặt tính của lực xoắn. Chiều cao của đường cong tương ứng với lực xoắn tối đa có thể đạt được, và đường đi xuống thể hiện khoảng thời gian trong đó động thái này hoàn thành.

Đường biến thiên của lực xoắn dựa trên các yếu tố sau:

- Tính chất bền của vít/đai ốc
- Loại đệm trợ lực (vòng lót, đệm lò xo, vòng đệm kín)
- Tính chất bền của vật liệu được bắt ghép bằng vít/bu-loong
- Tình trạng bôi trơn tại nơi bắt vít/bu-loong

Các trường hợp ứng dụng có kết quả theo tương ứng như sau:

- **Điểm tựa cứng** được dành để ứng dụng cho việc bắt ghép giữa kim loại với kim loại có sử dụng vòng đệm. Sau thời gian đập tương đối ngắn, lực xoắn tối đa hoàn thành (đặt tính của đường cong

đi xuống). Không cần phải có khoảng thời gian đập dài vì làm thế chỉ làm cho máy bị hỏng.

- **Điểm tựa có đệm lò xo chịu tải** được dành để ứng dụng cho việc bắt ghép giữa kim loại với kim loại, tuy nhiên có sử dụng lò xo chịu tải, lò xo mâm, đinh tán hay vít có đế côn cứng như khi sử dụng phần nổi dài.
- **Điểm tựa mềm** được dành để ứng dụng cho việc bắt vít, v.d. kim loại lên gỗ hay khi dùng vòng đệm chì hay đệm lót bằng nhựa để làm thêm chắc.

Đối với điểm tựa có đệm lò xo chịu tải cũng như điểm tựa mềm, lực siết chặt tối đa thấp hơn điểm tựa cứng. Cũng như thế, đương nhiên là cần có khoảng thời gian đập dài hơn.

Số Liệu Tham Chiếu Của Lực Siết Tối Đa Dành Cho Vít/Đai Ốc

Được tính từ tiết diện căng ngang; sự tận dụng điểm ứng suất biến dạng 90 % (với hệ số ma sát $\mu_{\text{tính căng}} = 0,12$). Luôn luôn sử dụng cờ-lê vận hành bằng lực xoắn như một cách để kiểm tra lực siết.

Thuộc tính Chung loại theo tiêu chuẩn Đức	Vít/Bu-loong tiêu chuẩn											Bu-loong có sức bền cao		
	DIN 267	3.6	4.6	5.6	4.8	6.6	5.8	6.8	6.9	8.8	10.9	12.9		
M 6	2.71	3.61	4.52	4.8	5.42	6.02	7.22	8.13	9.7	13.6	16.2			
M 8	6.57	8.7	11	11.6	13.1	14.6	17.5	19.7	23	33	39			
M 10	13	17.5	22	23	26	29	35	39	47	65	78			
M 12	22.6	30	37.6	40	45	50	60	67	80	113	135			
M 14	36	48	60	65	72	79	95	107	130	180	215			
M 16	55	73	92	98	110	122	147	165	196	275	330			

Mách nước

Trước khi bắt một vít lớn, dài hơn bình thường vào vật liệu cứng, nên khoan trước một lỗ mới có cùng đường kính răng vít vào sâu vào khoảng $\frac{2}{3}$ của chiều dài vít.

Ghi Chú: Hãy lưu ý không để các mảnh nhỏ kim loại lọt vào trong dụng cụ điện.

Móc Cài Dây Thất Lưng

Với móc cài dây thất lưng 4, máy có thể cài vào dây thất lưng. Hai tay người sử dụng không bị vướng bận và máy thì luôn ở bên cạnh.

Các Khuyến Nghị về Cách Bảo Dưỡng Tốt Nhất cho Pin

Tránh không để pin ở nơi ẩm ướt hoặc có nước.

Chỉ bảo quản pin trong tầm nhiệt độ nằm giữa 0 °C và 50 °C. Ví dụ, không để pin trong xe ô tô vào mùa hè.

Thỉnh thoảng làm sạch các khe thông gió của pin bằng cách dùng một cái cọ khô, mềm và sạch.

Sự giảm thời gian hoạt động một cách rõ rệt sau khi nạp điện chỉ cho thấy rằng pin đã được sử dụng và phải được thay.

Tuân thủ các chú thích dành cho việc thải bỏ.

Bảo Dưỡng và Bảo Quản

Bảo Dưỡng Và Làm Sạch

► Trước khi tiến hành bất cứ công việc gì với máy (vd., bảo dưỡng, thay dụng cụ v.v..) cũng như khi vận chuyển hay lưu kho, tháo pin ra khỏi dụng cụ điện. Có nguy cơ gây thương tích khi vô tình làm kích hoạt công tắc Tắt/Mở.

► Để được an toàn và máy hoạt động đúng chức năng, luôn luôn giữ máy và các khe thông gió được sạch.

Thay chổi than (xem hình E)

Kiểm tra chiều dài của chổi than khoảng 2 – 3 tháng một lần và nếu thấy cần hãy thay cặp chổi than mới. Không bao giờ chỉ thay mỗi một chổi than mà thôi!

Ghi Chú: Chỉ sử dụng chổi than do hãng Bosch cung cấp và được chỉ định cho sản phẩm của bạn.

- Sử dụng loại tua-vít thích hợp để tháo các nắp đậy 16.
- Thay chổi than gắn lò xo chịu tải 15 và lắp các nắp đậy vào như trước.

46 | Tiếng Việt

Nếu giả như máy bị trục trặc dù đã được theo dõi cẩn thận trong quá trình sản xuất và đã qua chạy kiểm tra, sự sửa chữa phải do trung tâm bảo hành-bảo trì dụng cụ điện cầm tay Bosch thực hiện.

Trong mọi thư từ giao dịch và đơn đặt hàng phụ tùng, xin vui lòng luôn viết đủ 10 con số đã được ghi trên nhãn máy.

Dịch Vụ Sau Khi Bán và Dịch Vụ Ứng Dụng

Bộ phận phục vụ hàng sau khi bán của chúng tôi sẽ trả lời các câu hỏi liên quan đến việc bảo trì và sửa chữa các sản phẩm cũng như các phụ tùng thay thế của bạn. Hình ảnh chi tiết và thông tin phụ tùng thay thế có thể tìm hiểu theo địa chỉ dưới đây:

www.bosch-pt.com

Bộ phận dịch vụ ứng dụng Bosch sẽ hân hạnh trả lời các câu hỏi liên quan đến các sản phẩm của chúng tôi và linh kiện của chúng.

Việt Nam

Công ty Trách Nhiệm Hữu Hạn Robert Bosch Việt Nam, PT/SVN
Tầng 10, 194 Golden Building
473 Điện Biên Phủ
Phường 25, Quận Bình Thạnh
Thành Phố Hồ Chí Minh
Việt Nam
Tel.: (08) 6258 3690 Ext 413
Fax: (08) 6258 3692
hieu.lagia@vn.bosch.com
www.bosch-pt.com

Vận Chuyển

Pin có chứa lithium-ion là đối tượng phải tuân theo các qui định của Pháp Luật về Hàng Hóa Nguy Hiểm. Người sử dụng có thể vận chuyển pin bằng đường bộ mà không cần có thêm yêu cầu nào khác. Khi được vận chuyển thông qua bên thứ ba (vd. vận chuyển bằng đường hàng không hay đại lý giao nhận), phải tuân theo các yêu cầu đặc biệt về đóng gói và dán nhãn. Để chuẩn bị cho món hàng sẽ được gửi đi, cần tham khảo ý kiến của chuyên gia về vật liệu nguy hiểm.

Chỉ gửi pin đi khi vỏ ngoài không bị hư hỏng. Dán băng keo hay che kín các điểm tiếp xúc để hở và đóng gói pin cách sao cho pin không thể xô dịch khi nằm trong bao bì được.

Cũng xin vui lòng tuân theo qui định chi tiết có thể có của mỗi quốc gia.

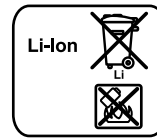
Thải bỏ



Máy, pin nạp điện lại được, phụ kiện và bao bì phải được phân loại để tái chế theo hướng thân thiện với môi trường.

Không được vứt bỏ dụng cụ điện, pin/pin nạp điện lại được vào chung với rác sinh hoạt!

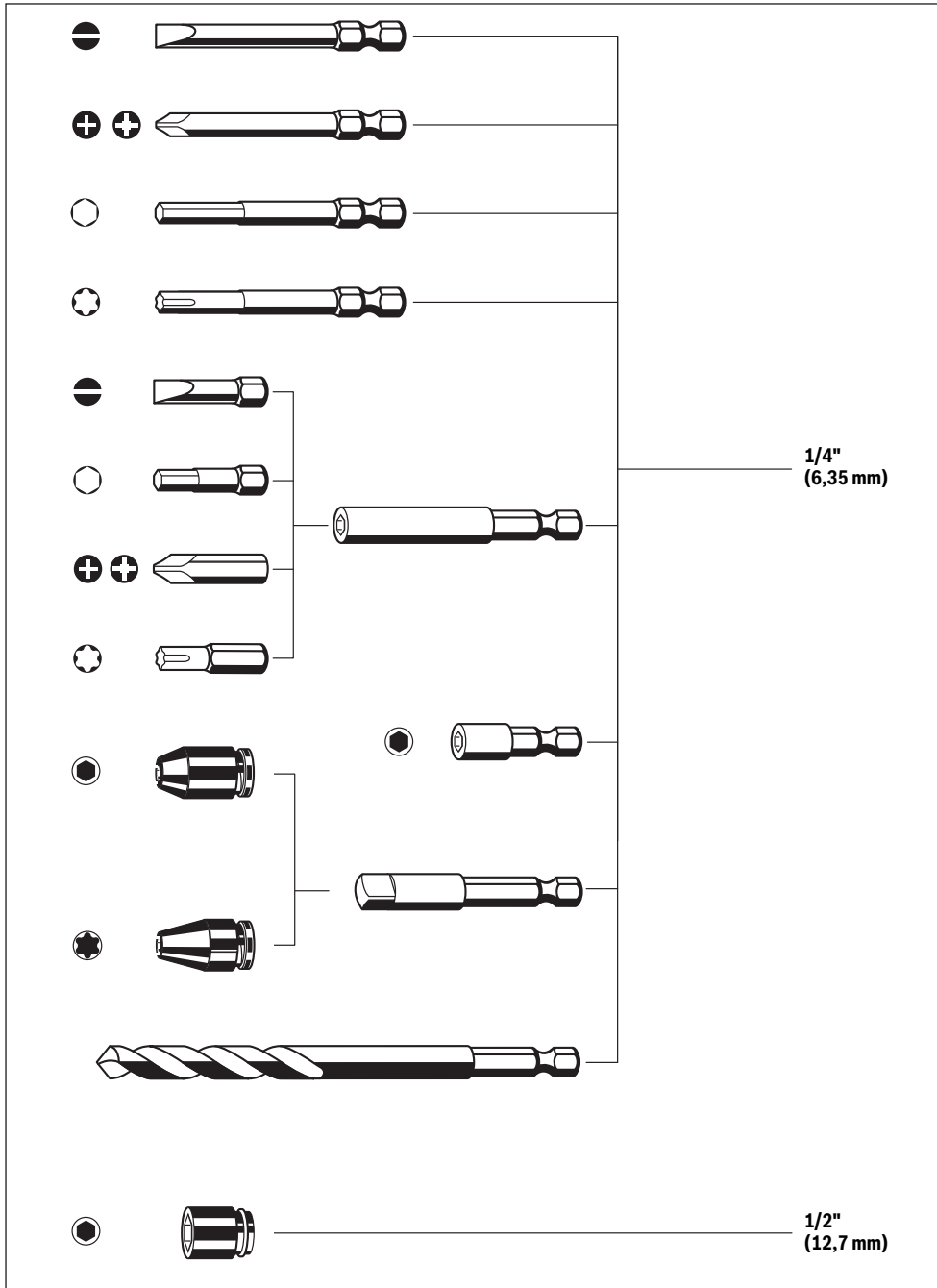
Pin lốc/pin:



Li-ion:

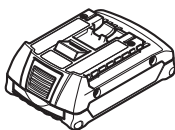
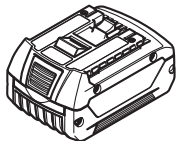
Xin vui lòng tuân thủ theo thông tin dưới đây "Vận Chuyển", trang 46.

Được quyền thay đổi nội dung mà không phải thông báo trước.

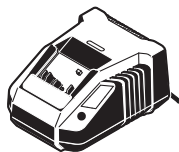




14,4 V (Li-Ion)

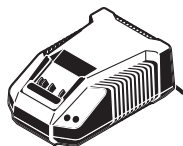


18 V (Li-Ion)



**AL 1820 CV
(14,4 / 18 V)**

2 607 225 440 (CN)
2 607 225 432 (TW)
2 607 225 436 (KR)
2 607 225 426 (MY, SG, HK)
2 607 225 424 (IN, TH, PH, VN (Far East))
2 607 225 428 (AU, NZ)



**AL 1860 CV
(14,4 / 18 V)**

2 607 225 337 (CN)
2 607 225 329 (TW)
2 607 225 333 (KR)
2 607 225 323 (MY, SG, HK)
2 607 225 321 (IN, TH, PH, VN (Far East))
2 607 225 325 (AU, NZ)



2 601 398 013